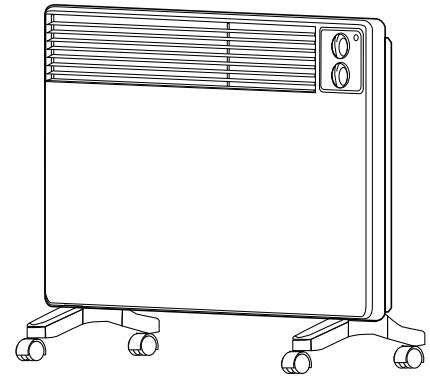




Marley
Engineered Products

WPC1500 Portable Convection Heater



Fixed Dimensions: 29-1/2"W x 18"H x 3-7/8"D

Installation, Operation & Maintenance Instructions

GENERAL

This radiant heater is designed to provide supplemental heat in small areas such as offices and may be used as an under desk heater. However, care must be taken to avoid blocking heater or covering it with any thing that could allow it to build up heat – See warnings.

IMPORTANT INSTRUCTIONS



WARNING



When using electrical appliances, basic precautions should always be followed to reduce the risk of fire, electric shock, and injury to persons, including the following:

1. Read all instructions before using this heater.
2. This heater is hot when in use. To avoid burns, do not let bare skin touch hot surfaces.
3. Keep combustible materials such as furniture, pillows, bedding, papers, clothes, and curtains at least 3 feet (0.9 m) away from front of heater and keep them away from the sides and rear.
4. Extreme caution is necessary when any heater is used by or near children or invalids and whenever the heater is left operating and unattended.
5. Always turn heater off at switch and unplug heater from outlet when not in use.
6. Do not operate any heater with a damaged cord or plug or after the heater malfunctions, has been dropped or damaged in any manner. Discard heater, or return to authorized service facility for examination and/or repair.
7. Do not use this heater outdoors.
8. This heater is not intended for use in bathrooms, laundry areas and similar indoor locations. Never locate heater where it may fall into a bathtub or other water container.
9. Do not run cord under carpeting. Do not cover cord with throw rugs, runners, or similar coverings. Do not route cord under furniture or appliances. Arrange cord away from traffic area and where it will not be tripped over.
10. This heater is provided with a three blade grounded plug (see Figure 3). Always connect to a properly grounded outlet only.
11. A heater has hot and arcing or sparking parts inside. Do not use it in areas where gasoline, paint, or flammable liquids are used or stored.
12. Check heater cord and plug connections. Faulty wall outlet connections or loose plugs can cause the outlet or plug to overheat. Be sure the plug fits tight in the outlet. Heaters draw more current than small appliances, therefore overheating of the outlet may occur even if it has not occurred with the use of other appliances. If plug outlet or faceplate is HOT, discontinue use and have qualified electrician check/replace the faulty outlet.
13. Always plug heater directly into a wall outlet/receptacle. Never use with an extension cord or relocatable power tap (outlet/power strip).
14. If this heater is to be used in damp areas such as basements or garages, a ground fault circuit must be provided.
15. Use this heater only as described in this manual. Any other use not recommended by the manufacturer may cause fire, electric shock, or injury to persons.
16. This heater is provided with a tip over switch that will disconnect power to the heater if it is tilted or falls over. The heater can only be used in the vertical position or tilted back slightly when used with built in stand.
17. Your heater includes an additional light feature for safety. The red warning light is located above the heater operation light (amber) on the front panel of your heater. When the red light illuminates, it signifies that the safety thermal cutout is in operation. This safety device automatically shuts off your heater in the event of overheating. Do not continue to use heater if it repeatedly cycles OFF and ON due to over-temperature. Should the unit overheat and activate the thermal cutout cycle, the cause of the overheating should be determined before further operation by a qualified electrician to determine the problem.

SAVE THESE INSTRUCTIONS

Specifications

Model	Volts	Watts	Amps
WPC1500	120	500/1000/1500	4.2/8.3/12.5

PRODUCT FEATURES

- 1 The heater can either be free-standing or wall-mounted to meet different user requirements.
- 2 Steel finned heating element heats quickly and efficiently.
- 3 3 wattages: 500W/1000W/1500W, choose the right wattage to meet comfort needs and save energy.
- 4 Equipped with thermostat for precise temperature control.
- 5 Equipped with overheat and tip-over protective devices for safe operation.

UNPACKING

After unpacking unit, inspect carefully for any damage that may have occurred during transit. Shipping damage claim must be filed with carrier. Please make note of the model number and date code for future reference.

ASSEMBLY AND INSTALLATION INSTRUCTIONS

1. If the heater is to be used as a **free standing** unit, support legs must be attached. Remove the two legs from the accessory box. Lay the heater on the floor, insert the two legs into the rectangle holes on the left and right sides near the ends of the heater bottom making sure to fit the 4 clips of each leg into the holes (see Figure 1). Press firmly to securely snap into place (a small flat screwdriver may be required to secure clips). After both sides are fitted, stand the heater upright on the wheels and proceed to OPERATION.

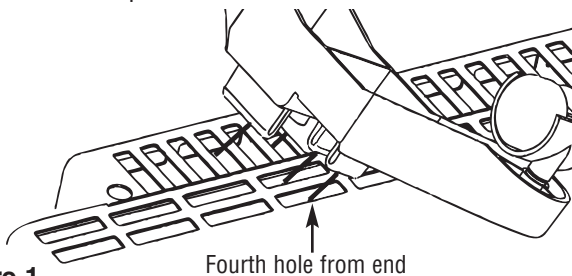


Figure 1

2. For **wall mounting** applications, omit Step 1 above. Use appropriate fasteners and drill 2 holes in the desired location, 15-3/4" apart, center to center, so that the heater bottom is about 20" from the floor. Allow the fasteners to extend at least 1/4" from the wall and fit the keyhole slots in the heater back onto the fasteners (see Figure 2). Make sure the heater is secure.

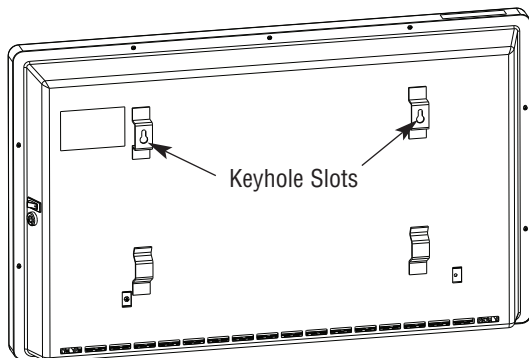


Figure 2

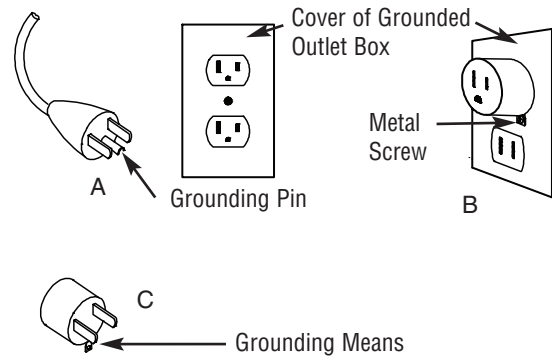


Figure 3

3. This heater is for use on 120 volts. The cord has a plug as shown at A (Figure 3). An adapter as shown at C is available for connecting three-blade grounding-type plugs to two-slot receptacles. The green grounding lug extending from the adapter must be connected to a permanent ground such as a properly grounded outlet box. The adapter should not be used if a three-slot grounded receptacle is available.

OPERATION INSTRUCTIONS

Wattage selection

Select wattage according to room size and ambient temperature. The upper knob on the control panel is the wattage adjustment knob; "I, II, III, IV" refer to "0W, 500W, 1000W, 1500W" respectively.

Temperature adjustment

The lower knob on the control panel is used to preset temperature: turn the knob from "low" to "high" clockwise to increase temperature. When the temperature reaches the preset temperature on the thermostat, the heating element will turn off. To find a comfortable setting, start by turning the thermostat to High and once the room temperature reaches the desired temperature, reduce the thermostat until there is an audible click, signaling the thermostat has turned off the element. The thermostat will maintain this comfort level.

Your heater includes an additional light feature for safety. The red warning light is located above the heater operation light (amber)

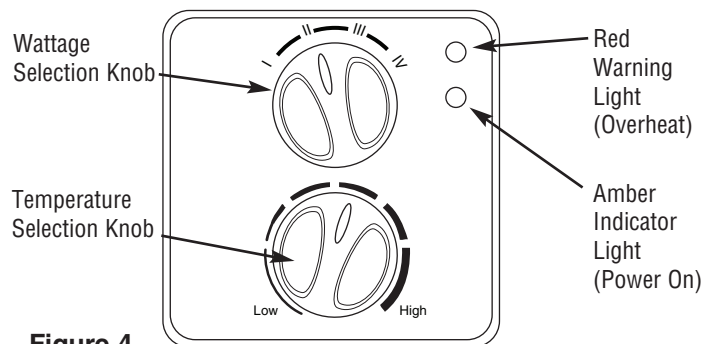


Figure 4

CAUTION



THE ILLUMINATED RED INDICATOR LIGHT SIGNIFIES THE HEATER HAS BEEN SUBJECTED TO SOME ABNORMAL CONDITION. CHECK HEATER TO INSURE THAT IT HAS NOT BEEN BLOCKED IN ANY MANNER (IF SO, REMOVE BLOCKAGE). IF THERE IS NO INDICATION OF BLOCKAGE, IT IS RECOMMENDED THE HEATER BE CHECKED BY A REPUTABLE ELECTRICIAN OR REPAIR SERVICE TO INSURE THE HEATER HAS NOT BEEN DAMAGED.

on the front panel of your heater. When the red light illuminates, it signifies that the safety thermal cutout is in operation. This safety device automatically shuts off your heater in the event of overheating. Do not continue to use heater if it repeatedly cycles OFF and ON due to over-temperature. Should the unit overheat and activate the thermal cutout cycle, the cause of the overheating should be determined before further operation by a qualified electrician to determine the problem.

MAINTENANCE INSTRUCTIONS

CLEANING

Turn thermostat off. Disconnect electrical power before cleaning heater.

Use a soft cloth for dusting. For cleaning use only a damp rag and nonabrasive dish detergent. Do not use abrasive or chemical cleaners as these may harm the finish.

If heater is used in a very dusty location, use a vacuum cleaner dust brush to remove dust and other foreign material from the grilles.

Always unplug heater when not in use. When heater is not to be used for an extended period of time, cord should be coiled and tied to prevent damage and heater should be stored in a safe location.

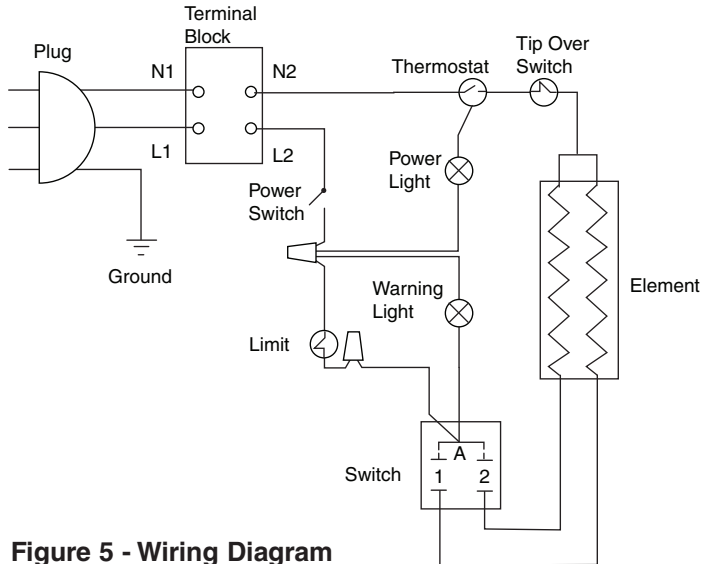
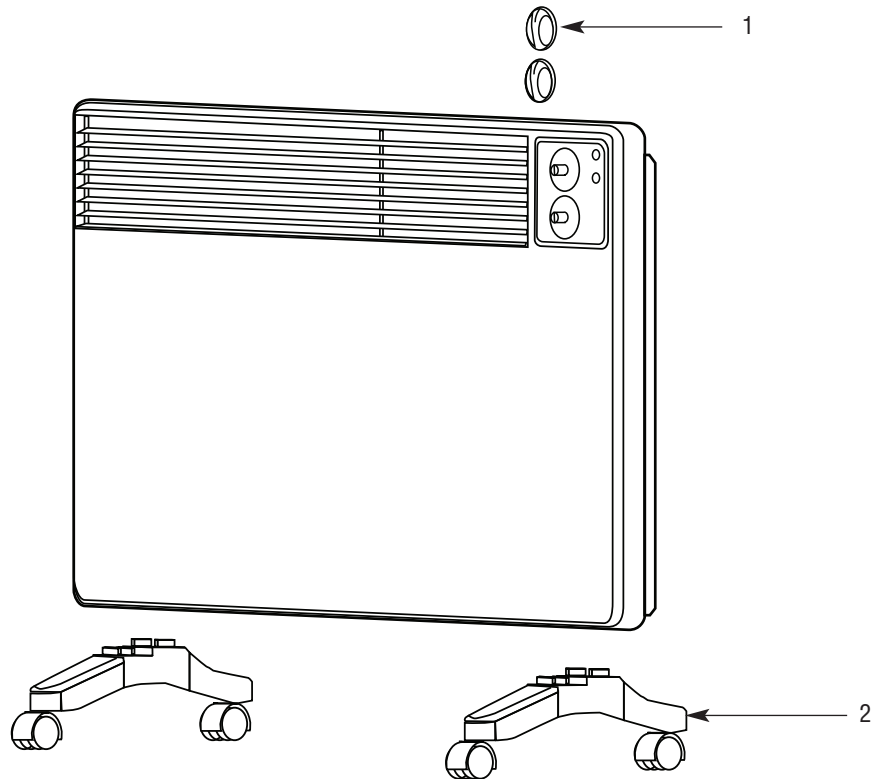


Figure 5 - Wiring Diagram



Replacement Parts List

Reference Number	Description	Part Number:	Quantity
1	Knob	3301-2058-000	1
2	Wheel Kit (Contains 2 legs with 4 wheels)	1205-10305-000	1

LIMITED WARRANTY

All products manufactured by Marley Engineered Products are warranted against defects in workmanship and materials for one year from date of installation, except heating elements which are warranted against defects in workmanship and materials for five years from date of installation. This warranty does not apply to damage from accident, misuse, or alteration; nor where the connected voltage is more than 5% above the nameplate voltage; nor to equipment improperly installed or wired or maintained in violation of the product's installation instructions. All claims for warranty work must be accompanied by proof of the date of installation.

The customer shall be responsible for all costs incurred in the removal or reinstallation of products, including labor costs, and shipping costs incurred to return products to Marley Engineered Products Service Center. Within the limitations of this warranty, inoperative units should be returned to the nearest Marley authorized service center or the Marley Engineered Products Service Center, and we will repair or replace, at our option, at no charge to you with return freight paid by Marley. It is agreed that such repair or replacement is the exclusive remedy available from Marley Engineered Products.

THE ABOVE WARRANTIES ARE IN LIEU OF ALL OTHER WARRANTIES EXPRESSED OR IMPLIED, AND ALL IMPLIED WARRANTIES OF MERCHANTABILITY AND FITNESS FOR A PARTICULAR PURPOSE WHICH EXCEED THE AFORESAID EXPRESSED WARRANTIES ARE HEREBY DISCLAIMED AND EXCLUDED FROM THIS AGREEMENT. MARLEY ENGINEERED PRODUCTS SHALL NOT BE LIABLE FOR CONSEQUENTIAL DAMAGES ARISING WITH RESPECT TO THE PRODUCT, WHETHER BASED UPON NEGLIGENCE, TORT, STRICT LIABILITY, OR CONTRACT.

Some states do not allow the exclusion or limitation of incidental or consequential damages, so the above exclusion or limitation may not apply to you. This warranty gives you specific legal rights, and you may also have other rights which vary from state to state.

For the address of your nearest authorized service center, contact Marley Engineered Products in Bennettsville, SC, at 1-800-642-4328. Merchandise returned to the factory must be accompanied by a return authorization and service identification tag, both available from Marley Engineered Products. When requesting return authorization, include all catalog numbers shown on the products.

HOW TO OBTAIN WARRANTY SERVICE AND WARRANTY PARTS PLUS GENERAL INFORMATION

- | | |
|--------------------------------|---|
| 1. Warranty Service or Parts | 1-800-642-4328 |
| 2. Purchase Replacement Parts | 1-800-654-3545 |
| 3. General Product Information | www.marlymep.com |

Note: When obtaining service always have the following:

1. Model number of the product
2. Date of manufacture
3. Part number or description



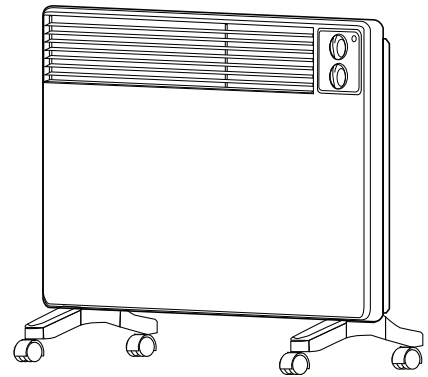
Marley
Engineered Products

470 Beauty Spot Rd. East
Bennettsville, SC 29512 USA



Marley
Engineered Products

WPC1500 Calefactor de convección portátil



Dimensiones fijas: 74.9 cm (29-1/2") de ancho x 45.7 cm (18") de altura x 9.8 cm (3-7/8") de profundidad

Instrucciones de instalación, operación y mantenimiento

INSTRUCCIONES IMPORTANTES



ADVERTENCIA



Al utilizar aparatos eléctricos, siempre se deben seguir precauciones básicas para disminuir el riesgo de incendio, descarga eléctrica y lesiones físicas, incluido lo siguiente:

1. Lea todas las instrucciones antes de utilizar este calefactor.
2. Este calefactor estará caliente mientras está en uso. Para evitar quemaduras, no permita que la piel desnuda haga contacto con las superficies calientes.
3. Mantenga los materiales combustibles, tales como muebles, almohadas, ropa de cama, papeles, ropa y cortinas a al menos 3 pies (0,9 metros) de distancia de la parte delantera del calefactor, y manténgalos alejados de los lados y la parte trasera.
4. Se necesita extrema precaución cuando el calefactor se utiliza cerca de niños o personas discapacitadas y cuando el calefactor se deja funcionando sin supervisión.
5. Siempre apague el calefactor mediante el interruptor y desenchufe el calefactor fuera del tomacorriente cuando no está en uso.
6. No ponga en funcionamiento ningún calefactor con cables o enchufes dañados ni después que el calefactor haya tenido un mal funcionamiento, se haya caído o dañado de cualquier manera. Deseche el calefactor, o regrese al establecimiento de servicio autorizado para inspección y/o reparación.
7. No utilice este calefactor en exteriores.
8. Este calefactor no está diseñado para usarse en baños, áreas de lavado ni en lugares interiores similares. Nunca ubique el calefactor donde pudiera caer a una bañera u otro recipiente con agua.
9. No tienda el cable debajo de alfombras. No cubra el cable de suministro de energía con alfombras grandes, alfombras continuas ni cubiertas similares. No coloque el cable de suministro de energía debajo de muebles o aparatos. Coloque el cable alejado de las áreas de tráfico y donde éste no cause tropezones.
10. Este modelo tiene un enchufe de conexión a tierra de tres patas (vea la Figura 3). Siempre se conecte en un tomacorriente conectado a tierra apropiadamente.
11. Un calefactor tiene en su interior piezas calientes, piezas que forman arcos eléctricos o piezas que producen chispa. No utilice esta unidad en áreas donde se utiliza o almacena gasolina, pintura, o líquidos inflamables.
12. Revise las conexiones del cable de suministro de energía y el enchufe del calefactor. Las conexiones defectuosas del tomacorriente de pared o los enchufes flojos pueden causar que el tomacorriente o enchufe se sobrecalienten. Verifique que el enchufe encaja de manera apretada en el tomacorriente. Los calefactores consumen más corriente que los electrodomésticos pequeños, por lo tanto podría ocurrir sobrecalentamiento del tomacorriente incluso si este sobrecalentamiento no había ocurrido con el uso de otros electrodomésticos. Si el tomacorriente o la placa frontal están CALIENTES, interrumpa su uso y solicite a un electricista calificado que revise/reemplace el tomacorriente defectuoso.
13. Siempre enchufe el calefactor directamente en un tomacorriente de pared. Nunca utilice con un cable de extensión o toma de energía reubicable (regleta de tomacorrientes).
14. Si este calefactor debe utilizarse en áreas húmedas tales como sótanos o garajes, debe suministrarse un circuito de protección contra falla a tierra.
15. Utilice este calefactor únicamente según se describe en este manual. Cualquier otro uso no recomendado por el fabricante podría causar un incendio, descarga eléctrica, o lesiones a personas.
16. Este calefactor se suministra con un interruptor por volcamiento que desconectará la energía hacia el calefactor si éste se inclina o cae. El calefactor sólo puede utilizarse en la posición vertical o levemente inclinado hacia atrás cuando se utiliza con la base incorporada.
17. Su calefactor incluye un elemento luminoso de seguridad adicional. La luz roja de advertencia está ubicada sobre la luz (ámbar) de funcionamiento, en el panel frontal de su calefactor. Cuando se ilumina la luz roja, significa que está funcionando la protección térmica de seguridad. Este dispositivo de seguridad apaga automáticamente su calefactor en caso de sobrecalentamiento. No continúe utilizando el calefactor si hace ciclos repetidos de encendido-apagado debido a la sobretemperatura. Si la unidad se sobrecalienta y activa el ciclo de la protección térmica, un electricista competente debe determinar la causa del sobrecalentamiento antes de continuar la operación.

GUARDE ESTAS INSTRUCCIONES

Especificaciones

Modelo	Tensión	Potencia	Corriente
WPC1500	120	500/1000/1500	4.2/8.3/12.5

CARACTERÍSTICAS DEL PRODUCTO

- 1 El calefactor puede utilizarse como portátil o montarse en la pared, para satisfacer diferentes requisitos de los usuarios.
- 2 El elemento calefactor aleado de acero calienta en forma rápida y eficiente.
- 3 3 potencias: 500 W, 1000 W y 1500 W; elija la potencia adecuada para satisfacer sus necesidades de confort y ahorrar energía.
- 4 Equipado con termostato, para un control preciso de la temperatura.
- 5 Equipado con dispositivos de protección contra sobrecalentamiento y contra caídas, para garantizar un funcionamiento seguro.

DESEMBALAJE

Después de desembalar la unidad, inspecciónela cuidadosamente para verificar si se han producido daños durante el transporte. El reclamo por daños durante el transporte debe presentarse al transportista. Tome nota del número de modelo y del código de fecha para referencia futura.

INSTRUCCIONES DE MONTAJE Y INSTALACIÓN

1. Si el calefactor se va a utilizar como unidad **portátil**, deben colocársele las patas de soporte. Retire las dos patas de la caja de accesorios. Coloque el calefactor en el piso e inserte las dos patas en los agujeros rectangulares de los lados izquierdo y derecho, cerca de los extremos del fondo del calefactor; asegúrese de colocar los 4 clips de cada pata en los agujeros (vea la Figura 1). Presione firmemente para que encajen bien en su posición (un destornillador plano pequeño puede ser necesario caber los clips). Después de acomodar ambos lados coloque el calefactor en posición vertical sobre las ruedas, y póngalo en **FUNCIONAMIENTO**.

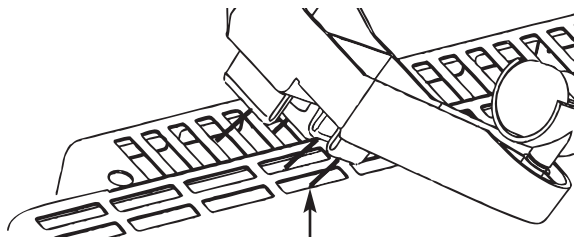


Figura 1

Cuarto orificio desde el extremo

2. Para aplicaciones de **montaje en la pared**, omita el Paso 1 anterior. Utilice sujetadores apropiados y perfore 2 agujeros en el lugar deseado, con una distancia de 40.0 cm (15-3/4") entre centros, de modo que el fondo del calefactor quede a alrededor de 50.8 cm (20") del piso. Deje que los sujetadores se extiendan al menos 6.4 mm (1/4") de la pared, y encaje las ranuras tipo bocallave de la parte trasera del calefactor en los sujetadores (vea la Figura 2). Asegúrese de que el calefactor esté firmemente sujeto.

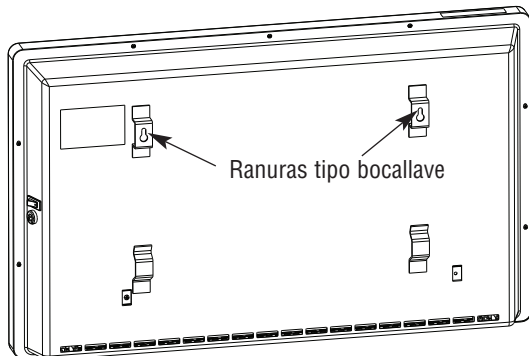


Figura 2

Ranuras tipo bocallave

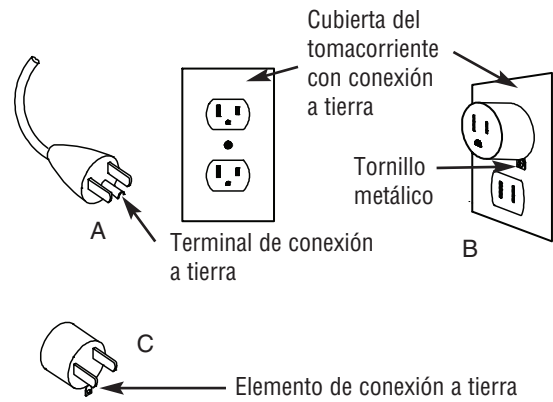


Figura 3

3. Este calefactor es para utilizar con una tensión de 120 volts. El cordón tiene un enchufe como se muestra en A (Figura 3). Puede utilizarse un adaptador como se muestra en C para conectar enchufes de tres láminas, con conexión a tierra, a tomacorrientes de dos ranuras. El terminal de puesta a tierra de color verde que se extiende desde el adaptador debe conectarse a una tierra permanente, como la de un tomacorriente con una conexión a tierra adecuada. El adaptador no debe utilizarse si se dispone de un tomacorriente de tres ranuras con conexión a tierra.

INSTRUCCIONES DE OPERACIÓN

Selección de potencia

Seleccione la potencia de acuerdo con el tamaño de la habitación y la temperatura ambiente. La perilla superior del panel de control es la de ajuste de la potencia; las posiciones I, II, III y IV corresponden a 0, 500 W, 1000 W y 1500 W respectivamente.

La perilla inferior del panel de control se utiliza para preajustar la temperatura: para aumentarla lleve la perilla de 'Bajo' (Low) a 'Alto' (High). Cuando la temperatura alcance el valor preajustado en el termostato, el elemento calefactor se apagará. Para encontrar un ajuste confortable comience llevando el termostato a 'Alto' (High), y una vez que la temperatura de la habitación alcance el valor deseado reduzca el valor ajustado en el termostato hasta que se produzca un 'clic' audible, que señala que el termostato ha apagado el elemento calefactor. El termostato mantendrá este nivel de confort.

Su calefactor incluye un elemento luminoso de seguridad adicional. La luz roja de advertencia está colocada sobre la luz de funcionamiento

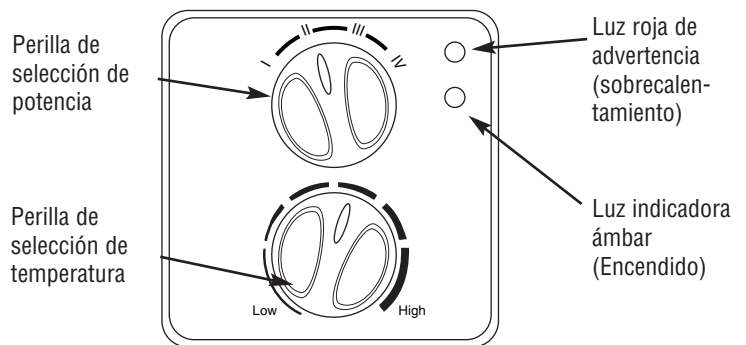


Figura 4

¡ATENCIÓN!



LA LUZ INDICADORA ROJA ENCENDIDA SIGNIFICA QUE EL CALEFACTOR HA ESTADO SOMETIDO A ALGUNA CONDICIÓN ANORMAL. REVISE EL CALEFACTOR PARA ASEGURARSE DE QUE NO HAYA SIDO BLOQUEADO DE ALGUNA MANERA (SI FUERA ASÍ, ELIMINE EL BLOQUEO). SI NO HUBIERA INDICACIÓN DE BLOQUEO, SE RECOMIENDA HACER REVISAR EL CALEFACTOR POR UN ELECTRICISTA O SERVICIO DE REPARACIÓN RECONOCIDO, PARA ASEGURARSE DE QUE EL CALEFACTOR NO HAYA SUFRIDO ALGÚN DAÑO.

(ámbar), en el panel frontal de su calefactor. Cuando se enciende la luz roja, significa que está funcionando la protección térmica de seguridad. Este dispositivo de seguridad apaga automáticamente su calefactor en caso de sobrecalentamiento. No continúe utilizando el calefactor si hace ciclos repetidos de encendido-apagado debido a la sobretemperatura. Si la unidad se sobrecalienta y activa el ciclo de la protección térmica, un electricista competente debe determinar la causa del sobrecalentamiento antes de continuar la operación.

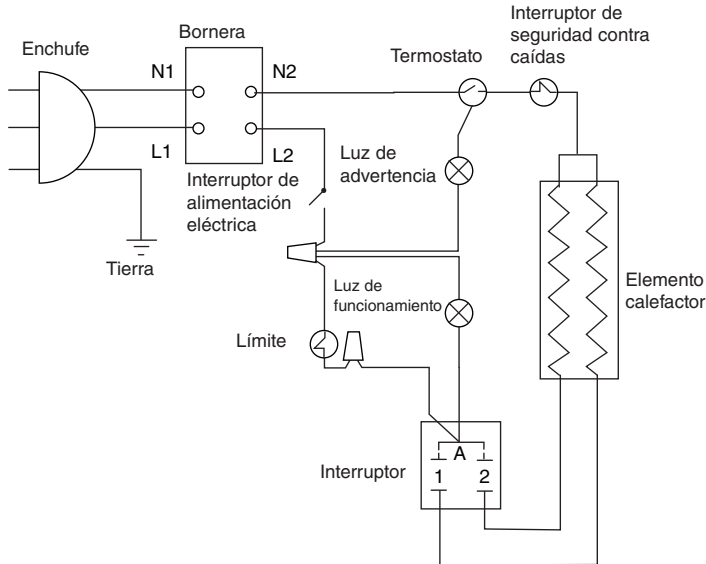


Figura 5 - Diagrama de conexionado

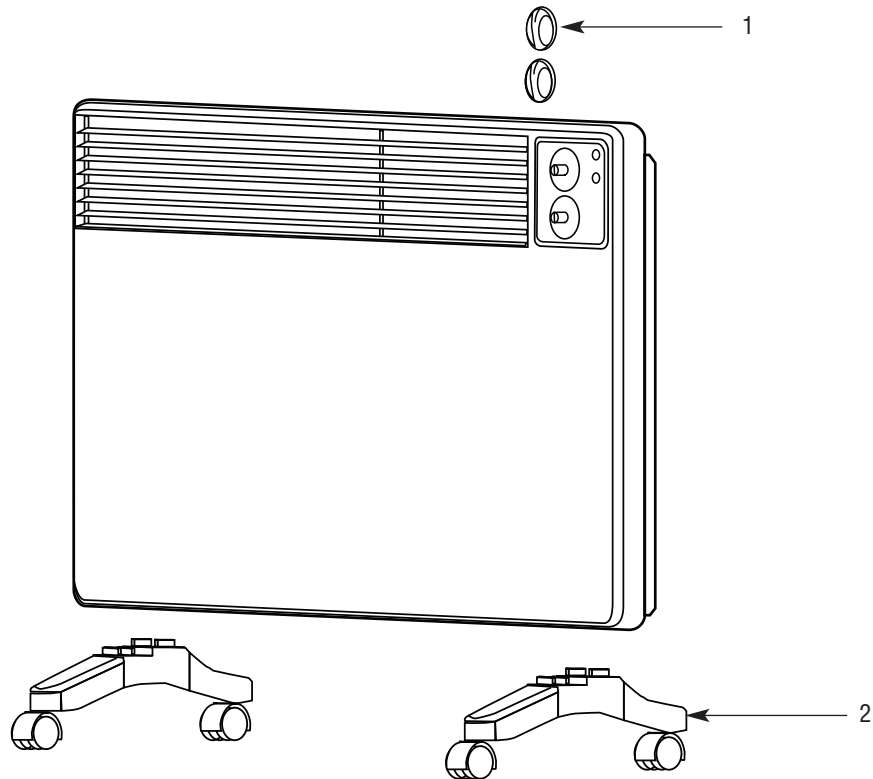
INSTRUCCIONES DE MANTENIMIENTO

Limpieza

Apague el termostato. Desconecte la alimentación eléctrica antes de limpiar el calefactor.

Quite el polvo mediante un paño suave. Para la limpieza, use únicamente un trapo húmedo y un detergente no abrasivo para vajilla. No use limpiadores abrasivos o químicos, ya que pueden dañar el acabado. Si el calefactor se utiliza en un lugar muy polvoriento, elimine el polvo y otros materiales extraños de las rejillas mediante el cepillo para polvo de una aspiradora.

Desenchufe siempre el calefactor cuando no esté en uso. Cuando no se vaya a utilizar el calefactor durante un período de tiempo prolongado, el cordón debe enrollarse y atarse para evitar que se dañe, y el calefactor debe almacenarse en un lugar seguro.



Lista de piezas de reemplazo

Número de referencia	Descripción	Número de parte:	Cantidad
1	Perilla	3301-2058-000	1
2	Juego de ruedas (Contiene 2 patas con 4 ruedas)	1205-10305-000	1

GARANTÍA LIMITADA

Todos los productos fabricados por Marley Engineered Products están garantizados contra defectos de fabricación y de materiales por 1 año desde la fecha de instalación. Esta garantía no se aplica a daños debidos a accidente, mal uso o alteración, ni a los casos en que la tensión eléctrica conectada supere a la tensión nominal -indicada en la placa de características- en más de 5 %, ni a equipos que hayan sido instalados o cableados incorrectamente, o mantenidos en forma que no cumpla lo indicado en las instrucciones de instalación del producto. Todo reclamo por trabajos en garantía debe acompañarse con una prueba de la fecha de instalación.

El cliente será responsable de todos los costos incurridos en el retiro o reinstalación de productos, incluyendo los costos de mano de obra y los costos de envío incurridos para regresar productos a un Centro de Servicio de Marley Engineered Products. Dentro de las limitaciones de esta garantía, las unidades que no funcionan deben regresarse al centro de servicio autorizado Marley más cercano, o al Centro de Servicio de Marley Engineered Products, y nosotros lo repararemos o reemplazaremos, a nuestra opción, sin cargo para usted, con el flete de retorno pagado por Marley. Se acuerda que tal reparación o reemplazo es el único recurso que Marley Engineered Products pone a su disposición.

LAS GARANTÍAS EXPUESTAS MÁS ARRIBA TOMAN EL LUGAR DE TODA OTRA GARANTÍA, EXPRESA O IMPLÍCITA, Y POR LA PRESENTE SE DECLINA Y EXCLUYE DE ESTE ACUERDO TODA GARANTÍA IMPLÍCITA DE COMERCIABILIDAD Y ADECUACIÓN A UN PROPÓSITO PARTICULAR QUE EXCEDA LAS GARANTÍAS EXPRESAS ANTEDICHAS. MARLEY ENGINEERED PRODUCTS NO SE HARÁ RESPONSABLE POR DAÑOS CONSIGUIENTES QUE SE PRODUZCAN CON RESPECTO AL PRODUCTO, EN BASE YA SEA A NEGLIGENCIA, AGRAVIO, RESPONSABILIDAD ESTRICTA, O CONTRATO.

Algunos estados o jurisdicciones no permiten la exclusión o limitación de daños incidentales o consiguientes, de modo que la exclusión o limitación expresada más arriba puede no aplicarse a su caso. Esta garantía le da derechos legales específicos, y usted puede tener también otros derechos, que varían de un estado o jurisdicción a otro.

Para obtener la dirección de su centro de servicio autorizado más cercano comuníquese con Marley Engineered Products en Bennettsville, SC, Estados Unidos, llamando al 1-800-642-4328. Toda mercadería regresada a la fábrica debe ser acompañada por una autorización de retorno y una etiqueta de identificación de servicio, disponibles ambas en Marley Engineered Products. Cuando solicite la autorización de retorno, incluya todos los números de catálogo mostrados en los productos.

CÓMO OBTENER SERVICIO EN GARANTÍA, PIEZAS DE REPUESTO E INFORMACIÓN GENERAL

- | | |
|--|---|
| 1. Servicio o repuestos en garantía | 1-800-642-4328 |
| 2. Compra de repuestos | 1-800-654-3545 |
| 3. Información general sobre productos | www.marleymep.com |

Nota: cuando solicite servicio, siempre dé la información que sigue:

1. Número de modelo del producto
2. Fecha de fabricación
3. Número de parte o descripción

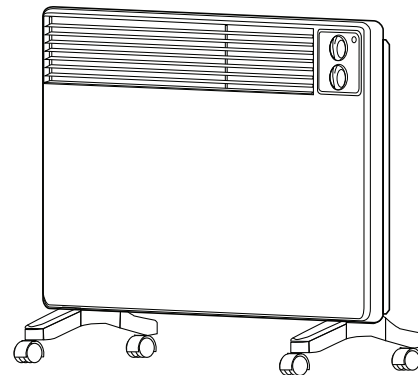


Marley
Engineered Products

470 Beauty Spot Rd. East
Bennettsville, SC 29512
Estados Unidos

WPC1500

Appareil de chauffage portable à convection



Dimensions fixes L 74,9 x H 45,7 x P 9,8 cm

Instructions d'installation, d'utilisation et d'entretien

INSTRUCTIONS IMPORTANTES



AVERTISSEMENT



Lors de l'utilisation d'appareils électriques, des précautions de base doivent toujours être suivies afin de réduire le risque de départ d'incendie, de commotion électrique et de blessures aux personnes, incluant celles qui suivent :

1. Lisez toutes les instructions avant d'installer ou d'utiliser ce radiateur.
2. Ce radiateur est chaud quand il est en fonctionnement. Pour éviter des brûlures, ne laissez pas la peau nue toucher ses surfaces chaudes.
3. Maintenez les matières combustibles comme le mobilier, les oreillers, la literie, les papiers, les vêtements et les couvertures, à au moins 3 pieds (90 cm) de distance de l'avant du radiateur, et éloignez-les aussi des côtés et de l'arrière.
4. Il faut faire très attention quand un radiateur quelconque est utilisé par des enfants ou des personnes invalides ou près d'eux, et à chaque fois que le radiateur est laissé en marche sans surveillance.
5. Coupez toujours le radiateur à son interrupteur et débranchez-le de la prise secteur quand il n'est pas utilisé.
6. Ne faites fonctionner aucun radiateur avec son cordon ou sa fiche secteur en mauvais état, ou après avoir présenté des dysfonctionnements, être tombé ou avec subi de quelconques dommages. Mettez le radiateur au rebut, ou retournez-le à un centre de service agréé pour un examen et/ou une réparation.
7. N'utilisez pas ce type de radiateur à l'extérieur.
8. Le radiateur n'est pas prévu pour une utilisation dans des salles d'eau, des buanderies ou des pièces d'intérieur similairement humides. Ne placez jamais le radiateur à un emplacement d'où il pourrait tomber dans une baignoire ou un autre conteneur avec de l'eau.
9. Ne faites pas passer le cordon d'alimentation sous un tapis. Ne recouvrez pas le cordon avec des carpettes, des passages ou d'autres camouflages. Ne faites pas passer le cordon sous des meubles ou des appareils. Disposez le cordon hors de la zone de trafic et à un endroit où il ne fera pas trébucher.
10. Ce radiateur est livré avec une fiche d'alimentation à trois lames pour liaison de terre (Voir la Figure 3). Toujours se connecter à une prise secteur reliée à la terre.
11. Un radiateur comporte à l'intérieur des parties chaudes, et pouvant produire un arc ou des étincelles électriques. Ne l'utilisez pas dans des zones où de l'essence ou des liquides inflammables sont utilisés ou entreposés.
12. Vérifiez le cordon d'alimentation et les connexions de sa fiche. De mauvaises connexions sur une prise secteur murale ou une fiche lâche peuvent causer un sur-échauffement de la prise ou de la fiche. Assurez-vous que la fiche est tenue fermement dans la prise. Les radiateurs tirent plus de courant que des petits appareils, donc une surchauffe de la prise peut arriver même si cela ne s'était pas produit avec d'autres appareils. Si les contacts ou la plaque de face de la prise sont CHAUDS, arrêtez l'utilisation et faites vérifier/remplacer la prise dangereuses par un électricien qualifié.
13. Branchez toujours les radiateurs directement dans une prise secteur murale. Ne les utilisez jamais avec un cordon de rallonge ou un boîtier/une barrette de prises relocalisable.
14. Si le radiateur doit être utilisé dans des endroits humides, comme dans des sous-sol ou garages, il faut prévoir un disjoncteur différentiel en amont.
15. N'utilisez ce radiateur que comme c'est décrit dans ce manuel. Toute autre utilisation non recommandée par le constructeur peut causer un départ d'incendie, une commotion électrique ou des blessures corporelles.
16. Ce radiateur est muni d'un interrupteur sur basculement qui coupera l'alimentation électrique s'il bascule ou tombe. Le radiateur ne peut être utilisé qu'en position droite ou légèrement incliné quand il est sur son socle intégré.
17. Votre appareil de chauffage comporte un voyant lumineux additionnel pour la sécurité. Ce témoin rouge est situé au-dessus du voyant de marche de l'appareil (couleur ambre) sur son panneau frontal. Quand ce voyant rouge s'allume, cela signifie que l'interrupteur thermique de coupure de sécurité est actionné. Ce dispositif arrête automatiquement votre appareil de chauffage dans le cas d'une surchauffe. Ne continuez pas d'utiliser votre appareil de chauffage s'il commute continuellement entre marche à arrêt du fait de surchauffe. Dans ce cas, il vous faut faire déterminer la cause de surchauffe par un technicien qualifié et la faire disparaître avant de pouvoir utiliser l'appareil de nouveau.

CONSERVEZ CES INSTRUCTIONS

Spécifications

Modèle	Volts	Watts	Ampères
WPC1500	120	500/1 000/1 500	4,2/8,3/12,5

CARACTÉRISTIQUES DU PRODUIT

- L'appareil de chauffage peut être soit autonome soit monté sur mur, afin de répondre aux divers besoins de l'utilisateur.
- Ses éléments de chauffage à ailettes chauffent rapidement et efficacement.
- Il comporte trois puissances : 500 / 1 000 / 1 500 W, vous choisissez la puissance qui vous convient pour vos besoins en confort et en économie d'énergie.
- Il est équipé d'un thermostat pour un contrôle précis de la température.
- Il est équipé de dispositifs de coupure protégeant contre la surchauffe et le basculement, pour un fonctionnement sans risque.

DÉBALLAGE

Après le déballage de l'unité, inspectez-la attentivement pour déceler d'éventuels dommages qui seraient arrivés durant l'expédition. Une réclamation pour dommages dans le transport doit alors être formulée auprès du transporteur. Veuillez également noter la référence de modèle et son numéro de série pour référence ultérieure.

INSTRUCTIONS D'ASSEMBLAGE ET D'INSTALLATION

- Si l'appareil de chauffage doit être utilisé comme unité **autonome**, il faut fixer dessus ses pieds de support. Sortez ces deux pieds de la boîte d'accessoires. Posez l'appareil sur le sol, insérez les deux pieds dans les trous rectangulaires sur les côtés droit et gauche près de l'extrémité du bas de l'appareil, en vous assurant de bien adapter les 4 fixations de chaque pied dans les trous (voir la Figure 1). Appuyez fermement pour enclencher en position (un petit tournevis plat peut être nécessaire pour insérer les clips). Une fois les deux côtés équipés, remettez l'appareil de chauffage droit sur ses roulettes, et passez à la MISE EN ŒUVRE.

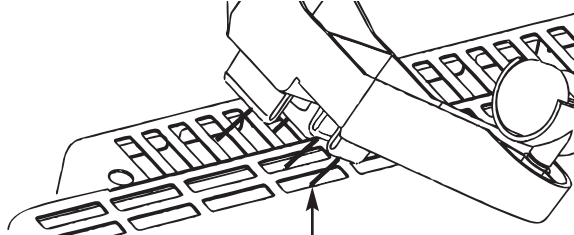


Figure 1

- Pour des applications avec **montage mural**, sautez l'étape 1 précédente. Prévoyez des fixations adéquates et percez deux trous à l'emplacement voulu, écartés horizontalement de 40 cm de centre à centre, de sorte que le bas de l'appareil de chauffage soit à environ 51 cm du sol. Laissez les attaches dépasser du mur d'au moins 6,5 mm du mur, et passez les trous en poire au dos de l'appareil dans ces attaches (voir la Figure 2). Assurez-vous que l'appareil de chauffage est bien fixé.

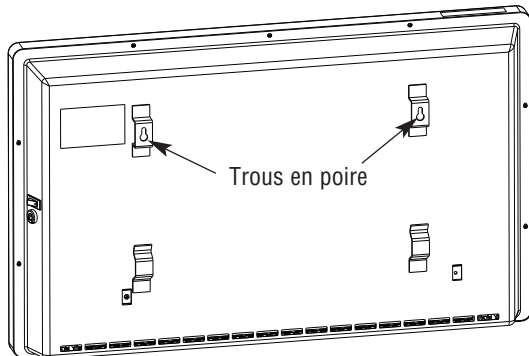


Figure 2

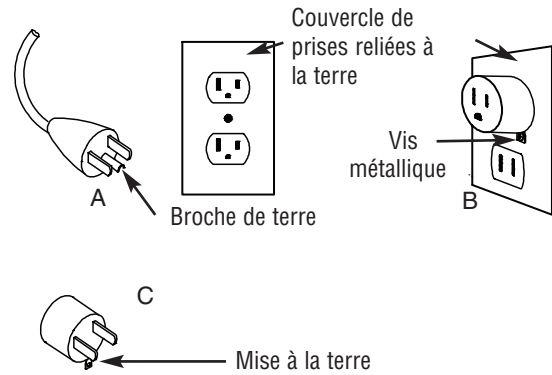


Figure 3

- Cet appareil de chauffage est prévu pour une alimentation sur secteur 120 V. Son cordon d'alimentation comporte une fiche (A sur Figure 3). Un adaptateur est également disponible (C) pour relier des fiches à trois broches dont une de terre à des prises secteur à deux douilles seulement. La patte de mise à la terre qui sort de l'adaptateur doit être reliée à une bonne terre permanente, comme sur une boîte de prises. Cet adaptateur ne doit pas être utilisé s'il y a des prises secteurs à trois douilles dont une de terre disponibles.

INSTRUCTIONS D'ENTRETIEN

Sélection de la puissance en watts

Choisissez la puissance en fonction du volume de la pièce et de la température ambiante. Le bouton du haut sur le panneau de contrôle est celui de sélection du wattage, ses positions "I, II, III, IV" correspondent respectivement à "0 W, 500 W, 1 000 W, 1 500 W".

Réglage de température

Le bouton du bas sur le panneau de contrôle est utilisé pour définir le point de consigne de température : tournez-le de "low" vers "high" (sens horaire) pour augmenter la température de consigne. Quand la température de la pièce atteint cette valeur, le thermostat fait désactiver l'élément de chauffe. Pour trouver un réglage confortable, commencez par passer le bouton de thermostat sur High, et une fois que la pièce arrive à une température qui vous convient, réduisez la consigne du thermostat jusqu'à ce qu'un dé clic soit entendu, signalant que le thermostat a désactivé l'élément de chauffe. Le thermostat maintiendra ensuite cette température de confort.

Votre appareil de chauffage inclut en plus un voyant indicateur pour votre sécurité. Ce voyant rouge d'alerte est situé au-dessus du voyant indiquant que l'appareil est en marche (Couleur ambre) sur le panneau avant de votre chauffage. Quand ce voyant rouge s'allume, cela signifie

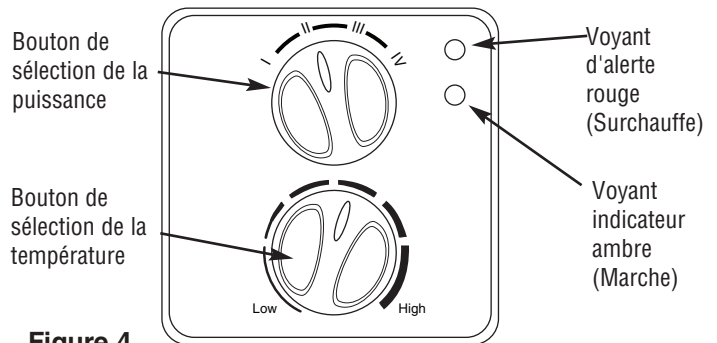


Figure 4

ATTENTION



L'ALLUMAGE DU VOYANT INDICATEUR ROUGE SIGNIFIE QUE L'APPAREIL DE CHAUFFAGE A ÉTÉ SUJET À UNE CONDITION ANORMALE. VÉRIFIEZ-LE POUR VOUS ASSURER QU'IL N'A PAS ÉTÉ BLOQUÉ D'UNE FAÇON OU D'UNE AUTRE (ET ÉLIMINEZ CE BLOCAGE S'IL Y A LIEU). S'IL N'Y A PAS DE BLOCAGE APPARENT, IL EST RECOMMANDÉ DE FAIRE VÉRIFIER CET APPAREIL DE CHAUFFAGE PAR UN BON ÉLECTRICIEN OU UN CENTRE DE RÉPARATIONS, AFIN DE S'ASSURER QU'IL N'A PAS ÉTÉ ENDOMMAGÉ ET DE LE FAIRE RÉPARER SI NÉCESSAIRE.

que l'interrupteur thermique de coupure de sécurité est actionné. Ce dispositif arrête automatiquement votre appareil de chauffage dans le cas d'une surchauffe. Ne continuez pas d'utiliser votre appareil de chauffage s'il commute continuellement entre marche à arrêt du fait de surchauffe. Dans ce cas il vous faut faire déterminer la cause de surchauffe par un technicien qualifié et la faire disparaître avant de pouvoir utiliser l'appareil de nouveau

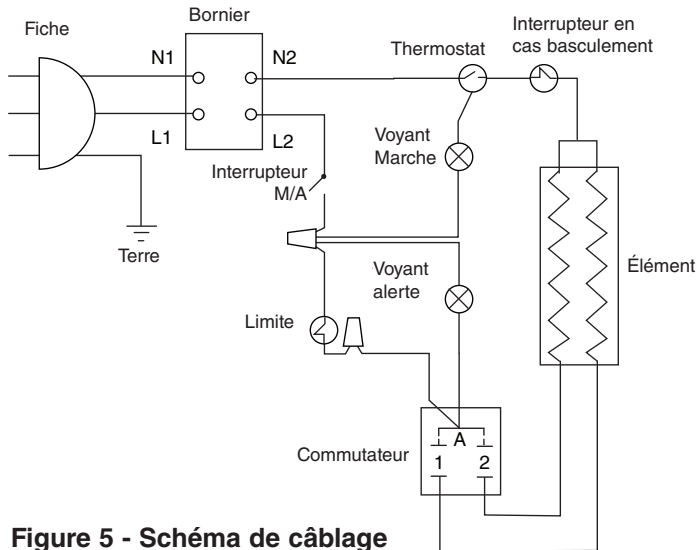


Figure 5 - Schéma de câblage

ENTRETIEN

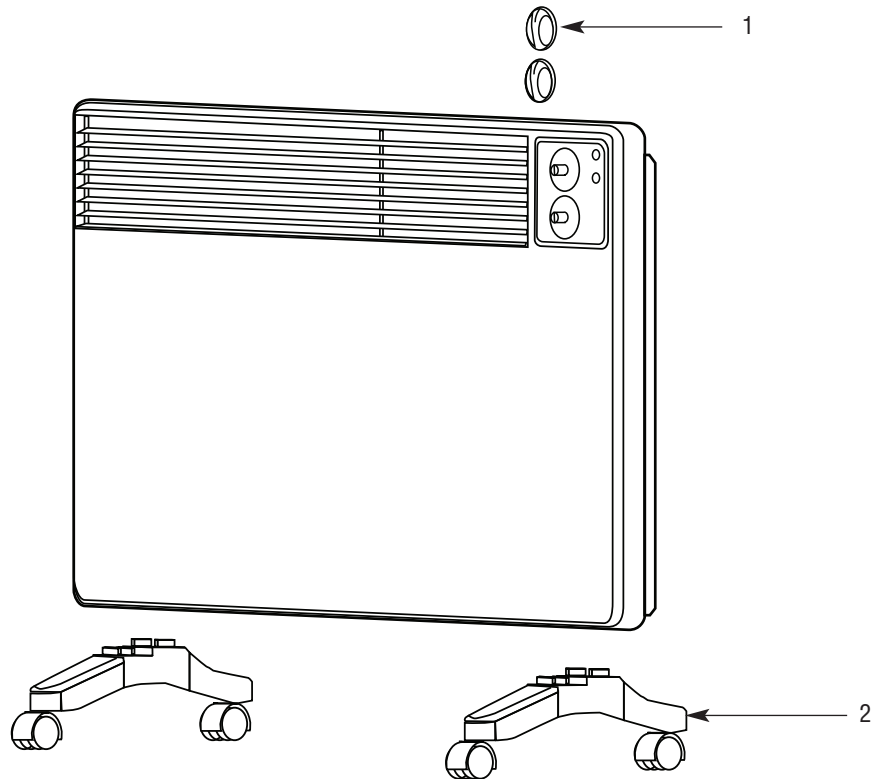
NETTOYAGE

Arrêtez le chauffage au thermostat. Débranchez l'alimentation secteur avant de nettoyer l'appareil de chauffage.

Utilisez un chiffon doux pour dépeussier. Pour nettoyer n'utilisez qu'un chiffon mouillé avec une solution de détergent pour vaisselle non abrasif. N'utilisez pas de produits nettoyants chimiques ou abrasifs qui pourraient endommager la finition

Si l'appareil de chauffage est utilisé dans un endroit poussiéreux, utilisez un aspirateur avec l'accessoire brosse pour dépeussier et éliminer toutes matières étrangères des grilles.

Débranchez toujours l'appareil de chauffage s'il n'est pas en utilisation. Quand il est prévu de ne pas l'utiliser pendant une longue période, son cordon doit être enroulé et fixé pour éviter des dommages, et l'appareil doit être entreposé en lieu sûr.



Liste de pièces de rechange

N° de référence	Description	N° de pièce :	Quantité
1	Bouton	3301-2058-000	1
2	Kit de roulement (Contient 2 pieds avec 4 roulettes)	1205-10305-000	1

GARANTIE LIMITÉE

Tous les produits fabriqués par Marley Engineered Products sont garantis contre les défauts de fabrication et de matériau pendant une année à compter de leur date d'installation, sauf les éléments chauffants, lesquels sont garantis contre les défauts de fabrication et de matériau pendant dix ans à compter de la date d'installation. Cette garantie ne couvre pas les dommages causés par un accident, une mauvaise utilisation ou une altération et ne s'applique pas si la tension d'alimentation dépasse de 5% ou plus celle de la plaque signalétique, si l'équipement est mal installé, mal câblé ou mal entretenu, contrairement aux instructions d'installation et d'utilisation du produit. Toutes les réclamations sous garantie doivent être accompagnées d'une preuve de date d'installation.

Le client sera responsable de tous les coûts encourus pour enlever et réinstaller le produit, ce qui inclut les frais de main d'œuvre et les frais de port encourus pour retourner le produit au centre de réparation de la société Marley Engineered Products. Sous réserve des restrictions figurant dans cette garantie, tout appareil défectueux doit être retourné au centre de réparation agréé par Marley le plus près ou au centre de réparation de la société Marley Engineered Products. Il sera ensuite gratuitement réparé ou remplacé, à notre discrétion, et les frais de port de retour seront pris en charge par Marley. Il est entendu que cette réparation ou ce remplacement constitue le seul et unique recours disponible auprès de la société Marley Engineered Products.

LA GARANTIE CI-DESSUS REMPLACE ET PRÉVAUT SUR TOUTE AUTRE GARANTIE EXPRESSE OU IMPLICITE ET TOUTE GARANTIE IMPLICITE DE COMMERCIALISATION OU DE CONVENANCE À UN USAGE QUELCONQUE ALLANT AU-DELÀ DE LA GARANTIE EXPRESSE CI-DESSUS EST PAR LES PRÉSENTES RÉFUTÉE ET EXCLUE DE CETTE ENTENTE. LA SOCIÉTÉ MARLEY ENGINEERED PRODUCTS NE PEUT SOUS AUCUNE CIRCONSTANCE ÊTRE RESPONSABLE DE QUELQUE DOIMMAGE ACCESSOIRE ASSOCIÉ À CE PRODUIT, SANS QU'IL SOIT POSSIBLE D'INVOQUER UNE NÉGLIGENCE, UN DÉLIT CIVIL, UNE RESPONSABILITÉ STRICTE OU UNE OBLIGATION CONTRACTUELLE.

Puisque certaines juridictions interdisent d'exclure ou de limiter les dommages indirects et accessoires, il est possible que les exclusions et restrictions ci-dessus ne s'appliquent pas à vous. Cette garantie vous accorde des droits juridiques spécifiques, mais il est possible que vous ayez également d'autres droits selon votre lieu de résidence.

Pour connaître l'adresse du centre de réparation agréé le plus près, contactez la société Marley Engineered Products à Bennettsville (Caroline du Sud) au 1-800-642-4328. Les produits retournés à l'usine doivent être accompagnés d'un numéro d'autorisation de retour et d'une étiquette d'identification de service, tous deux disponibles auprès de la société Marley Engineered Products. Lorsque vous demandez une autorisation de retour, indiquez tous les numéros de catalogue indiqués sur les produits.

POUR OBTENIR UNE RÉPARATION OU DES PIÈCES SOUS GARANTIE, DE MÊME QUE DES INFORMATIONS GÉNÉRALES

1. Réparations et pièces sous garantie **1-800-642-4328**
2. Achat de pièces de rechange **1-800-654-3545**
3. Informations générales sur les produits **www.marlymep.com**

Remarque : Lorsque vous demandez une intervention, ayez toujours en main les informations suivantes :

1. Numéro de modèle du produit
2. Date de fabrication
3. Numéro de pièce ou description



Marley
Engineered Products

470 Beauty Spot Rd. East
Bennettsville, SC 29512 USA