

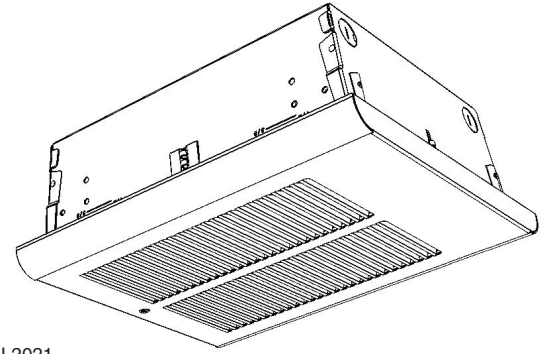


**Marley**<sup>®</sup>  
Engineered Products

**U Series  
Fan Forced  
Ceiling Mounted Heater**



Conforms to ANSI/UL2021  
and CSA C22.2 No. 46.



**Installation, Operation & Maintenance Instructions**

**Specifications**

MODEL NO.	CATALOG NO.	VOLTS	AMPS	WATTS	BTU/HR	WIRE SIZE
U1000FA	QCH1101	120	8.4 4.2	1000 500	3413 1706	14AWG
U1500FA	QCH1151	120	12.5 6.25	1500 750	5120 2560	12AWG
U2004FA	QCH1202	240	8.4 4.2	2000 1000	6826 3413	14AWG
		208	7.3 3.62	1500 750	5120 2560	14AWG
U2007FA	QCH1207	277	7.2 3.6	2000 1000	6826 3413	14AWG
		240	6.3 3.1	1500 750	5120 2560	14AWG

**IMPORTANT INSTRUCTIONS**



**WARNING**



WHEN USING ELECTRIC APPLIANCES, BASIC PRECAUTIONS SHOULD ALWAYS BE FOLLOWED TO REDUCE THE RISK OF FIRE, ELECTRIC SHOCK, AND INJURY TO PERSONS, INCLUDING THE FOLLOWING:

1. Read all instructions before installing or using this heater.
2. This heater is hot when in use. To avoid burns, do not let bare skin touch hot surfaces. Keep combustible materials, such as furniture, pillows, bedding, papers, clothes, etc. and curtains at least 3 feet (0.9 m) from the front of the heater.
3. Extreme caution is necessary when any heater is used by or near children or invalids and whenever the heater is left operating and unattended.
4. Do not operate any heater after it malfunctions. Disconnect power at service panel and have heater inspected by a reputable electrician before using.
5. Do not use outdoors.
6. To disconnect heater, turn controls to off, and turn off power to heater circuit at main disconnect panel.
7. Do not insert or allow foreign objects to enter any ventilation or exhaust opening as this may cause an electric shock, fire, or damage to the heater.
8. To prevent a possible fire, do not block air intake or exhaust in any manner.
9. A heater has hot and arcing or sparking parts inside. Do not use it in areas where gasoline, paint, or flammable liquids are used or stored.
10. Use this heater only as described in this manual. Any other use not recommended by the manufacturer may cause fire, electric shock, or injury to persons.
11. This heater is provided with a red alarm light that will illuminate only if the heater has turned off as a result of overheating. If you see the light on, immediately turn the heater off and inspect for any objects on or adjacent to the heater that may have blocked the airflow or otherwise caused high temperatures to have occurred. **DO NOT OPERATE THE HEATER WITH THE ALARM LIGHT ILLUMINATING.**
12. This heater is intended for comfort heating applications and not intended for use in special environments. Do not use in damp or wet locations such as marine or greenhouse or in areas where corrosive or chemical agents are present.
13. When installing, see INSTALLATION INSTRUCTIONS for additional warnings and precautions.
14. For safe and efficient operation, and to extend the life of your heater, keep your heater clean - See MAINTENANCE INSTRUCTIONS.

**SAVE THESE INSTRUCTIONS**

# INSTALLATION INSTRUCTIONS

## ⚠ WARNING ⚠

To prevent a possible fire, injury to persons or damage to the heater, adhere to the following:

1. Disconnect all power coming to heater at main service panel before wiring or servicing.
2. All wiring procedures and connections must be in accordance with the National and Local Codes having jurisdiction and the heater must be grounded.
3. Power supply must enter back box through the knockout behind the disconnect switch.
4. Verify the power supply voltage coming to heater matches the ratings as shown on the heater nameplate.

**CAUTION: ENERGIZING HEATER AT A VOLTAGE GREATER THAN THE VOLTAGE PRINTED ON THE NAMEPLATE WILL DAMAGE THE HEATER AND VOID THE WARRANTY AND COULD CAUSE A FIRE.**

5. **CAUTION** - High temperature, risk of fire, keep electrical cords, drapery, furnishings, and other combustibles at least 3 feet (0.9 m) from front of heater. Do not install heater behind doors, below towel racks, or in an area where it is subject to being blocked by furniture, curtains or storage materials. Hot air from the heater may damage certain fabrics and plastics.
6. To reduce the risk of fire, do not store or use gasoline or other flammable vapors and liquids in the vicinity of the heater.
7. This heater is to be mounted only using back box. Back box must be securely mounted to the building structure. Building structure must be capable of supporting the heater and all accessories (approximately 18 lbs (8.2 kg)).
8. This heater is intended for ceiling installation only. DO NOT install heater closer than 6 feet (1829 mm) from the floor. DO NOT install closer than 12" (305 mm) to adjacent walls. DO NOT install in walls, floor, or other locations.
9. Do not operate the heater without the grille installed.
10. Do not use this heater for dry out as the paint, plaster, sawdust and drywall sanding dust will permanently damage the heater and must be kept out of the heater.

## GENERAL

The heater is designed for recessed installation in 2" X 4" (50mm X 101mm) joist or larger ceiling section using the back box provided. The heater may also be surface mounted by using the Surface Mounting Frame. The heater is intended to be controlled by a single pole, wall mounted thermostat (ordered separately). The heater may be wired with standard building wire (60°C). (See Fan Delay Notice Above). Refer to specification chart (see pg. 4) for correct supply voltage and wire size.

**NOTE:** The optimum mounting height for this heater is 8' (2440mm) from floor to bottom of back box. In any case do not install closer than 6' (1830mm) from the floor, or closer than 12" (305mm) to adjacent walls.

## INSTALLATION OF BACK BOX IN NEW CONSTRUCTION

**NOTE:** If the finished ceiling surface is already up, follow instructions for "INSTALLATION OF BACK BOX IN EXISTING CONSTRUCTION":

1. Determine which side of the back box is to be mounted against a joist and bend the tabs at the rear corners out 90 degrees so that the back box will be square with the joist after installation. (See Figure 1).
2. Remove one of the knockouts on socket side of the back box and install a cable or conduit connector.
3. Position back box against side of joist and secure using nails or screws as shown in Figure 1.

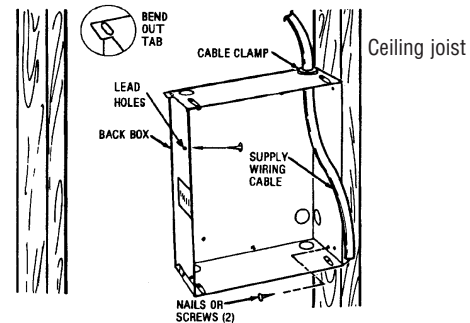


Figure 1

**NOTE:** The back box must be installed with the front edge flush with the finished surface.

4. Run power supply cable through the connector, leaving about 8" (203mm) of wire inside the box.
5. Run thermostat cable from wall thermostat to heater location leaving at least 6" (153mm) of cable inside the box. (See Fan Delay Notice.)
6. Connect the supply cable ground wire to green ground screw provided.

**NOTE:** Lead holes for a #8 sheet metal screw have been provided in the sides of the back box. After the finished ceiling has been put up, drive a # 8(m4) sheet metal screw (recommended 1") through the side of the box not mounted to the joist. This will prevent the back box from pulling out when installing the heater assembly. (See Figure 1)

## Installation of Back Box in Existing Construction

1. Carefully mark and cut a hole measuring 9-3/8" (235mm) wide by 11-1/8" (283mm) long. One edge of the hole must be cut along the edge of a joist.
2. Proceed to No. 1 through 6 (Installation of Back Box in New Construction).

## CAUTION ⚠

AN ELECTRICAL SHOCK, FIRE, OR WATER DAMAGE COULD RESULT IF WIRING OR PIPING IS DAMAGED DURING CUTTING. MAKE SURE ALL WIRING AND PIPING ARE CLEAR OF AREA BEFORE CUTTING.

## Installation of Heater in T-Bar Ceiling Using Frame Kit Model HTBF

### ⚠ WARNING ⚠

RISK OF FALLING – THE HEATER BACKBOX MUST BE SECURELY MOUNTED TO THE BUILDING STRUCTURE AND THE BUILDING STRUCTURE MUST BE CAPABLE OF SUPPORTING THE HEATER WITH ALL ACCESSORIES. THE HEATER WEIGHT WITH ACCESSORIES IS AT LEAST 18 LBS (18.2 KG).

1. Determine the desired location for the heater.
2. Remove heater from carton, remove front cover, heater assembly from back box.
3. Remove T-Bar frame, envelope containing mounting screws from carton.

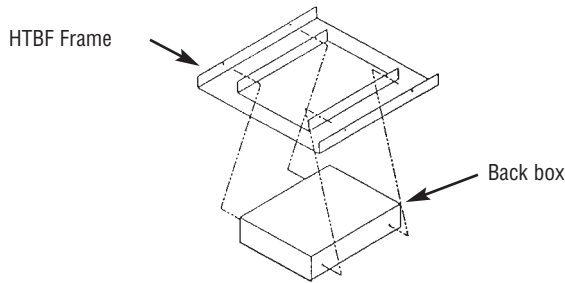


Figure 2

4. Mount the heater backbox to the HTBF kit frame using the four screws provided. Refer to figure 2.
5. Place the HTBF frame with heater backbox installed in ceiling framing and secure in position. Secure the frame to the building structure as necessary using appropriate wire to prevent the heater and frame from falling.
6. Bring power supply cable to heater location. Remove the desired knockout in backbox and install cable using an appropriate cable clamp, leaving at least six inches (153mm) of wire in box for connections.

**NOTE:** Power supply cable must enter backbox in location behind the disconnect switch assembly.

7. Complete the installation by following the steps in the "Wiring of heater" and "Installation of Front Cover(Grille)" sections."

### Field Conversion for Lower Wattage

**NOTE:** Refer to specification chart for lower wattage ratings which are available.

To convert heater to lower wattage rating, completely remove red jumper wire from both heating elements (See Figure 3). Discard this jumper. Be sure remaining wires are securely connected.

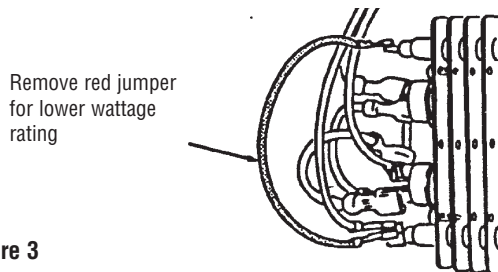


Figure 3

### Wiring of Heater

1. Following wiring diagram (Figure 4) connect supply wiring and thermostat wiring to heater lead wires in back box.

**NOTE:** For 120 and 277 volt heaters connect the white neutral supply lead to the heaters white pigtail lead, and connect the black supply lead to the heaters black pigtail lead. For 208 and 240 volt heaters change the color of the heaters white pigtail lead to black by wrapping with black electrical tape. (Most electrical codes require the supply leads to be connected to black leads). Then connect the two black supply leads to the two black receptacle leads. Connect the two red thermostat leads to thermostat as shown in wiring diagram.

2. Insert wiring plug from heater/fan assembly into socket in back box.
3. Fit heater/fan assembly into back box and secure in place with (2) screws provided through the center slots in the fan assembly.

**NOTE:** Use the screws provided by the factory to install heater/fan assembly to the back box.

4. Turn disconnect switch mounted on heater/fan assembly "ON"

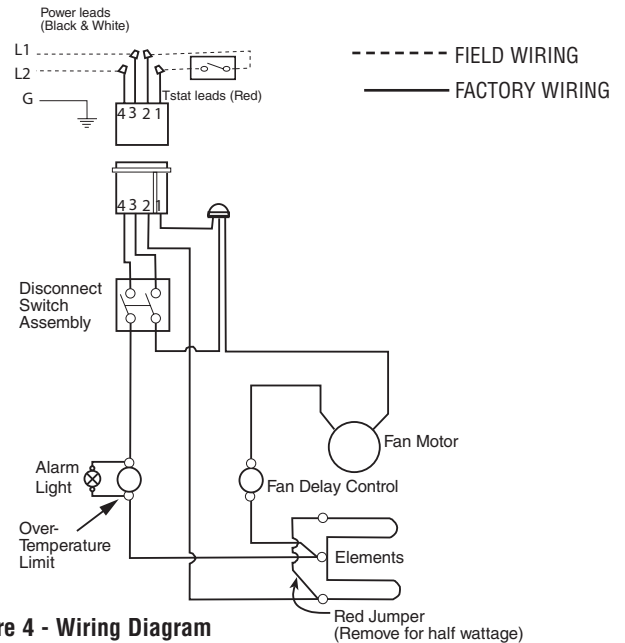


Figure 4 - Wiring Diagram

### INSTALLATION OF FRONT COVER (GRILLE)

1. Mount grille over brackets at the top of the heater. Sheet metal tabs at the top end of the grille hook onto the brackets at the top end of the heater's fan panel assembly.
2. Insert screw through bottom hole on the grille. The screw with thread into the backbox. Tighten the screw until the grille is flush to the ceiling or mounting frame. BE CAREFUL NOT TO OVERTIGHTEN.

# OPERATING INSTRUCTIONS

1. Heater must be properly installed before operation.
2. Rotate wall thermostat knob counterclockwise until control stops. This is the minimum heat setting.
3. Turn power supply to heater "ON" at main switch panel.
4. Heater should not operate. If it operates, disconnect power and re-check wiring.
5. Rotate wall thermostat knob clockwise until it stops (maximum heat setting) and wait at least 2 minutes. Fan control will delay fan coming on until element is warm.
6. If heater and fan do not come on, disconnect power and check wiring.
7. Allow heater to continue to operate until room temperature reaches desired comfort level. Then rotate wall thermostat knob counterclockwise slowly until thermostat clicks off. Fan must continue to operate for a minute or so until element cools. If fan turns off immediately when thermostat is turned off, disconnect power and check wiring. (See Fan Delay Notice).
8. It may be necessary to readjust thermostat a time or so until exact comfort level is attained. Rotation in the clockwise direction will increase the amount of time the heater will produce heat. Rotation in the counterclockwise direction will reduce the amount of time the heater is on.

**NOTE:** For best results, the heater should be left "ON" constantly during the heating season as the thermostat, when properly set, will maintain the desired temperature. In the full counterclockwise position the heater will remain off until the room temperature drops well below freezing.

## Operational Notice:

Your heater is equipped with an automatic reset over-temperature limit control that will automatically turn the heater off to prevent a fire if the heater overheats. If heater cycles off on this control, a red alarm light will illuminate.

### **WARNING**

DO NOT TAMPER WITH OR BYPASS ANY SAFETY LIMITS INSIDE HEATER.

### **CAUTION**

CAUTION - DO NOT CONTINUE TO ATTEMPT TO USE THE HEATER IF THE SAFETY CONTROL REPEATEDLY OPERATES AFTER BEING RESET. TO DO SO COULD PERMANENTLY DAMAGE THE HEATER OR CREATE A FIRE OR SAFETY HAZARD.

# MAINTENANCE INSTRUCTIONS

It is important to keep this heater clean. Your heater will give you years of service and comfort with only minimum care. To assure efficient operation follow the simple instructions below.

### **WARNING**

ALL SERVICING BEYOND SIMPLE CLEANING THAT REQUIRES DISASSEMBLY SHOULD BE PERFORMED BY QUALIFIED SERVICE PERSONNEL.

### **WARNING**

TO REDUCE RISK OF FIRE AND ELECTRIC SHOCK OR INJURY, DISCONNECT ALL POWER COMING TO HEATER AT MAIN SERVICE PANEL AND CHECK THAT THE ELEMENT IS COOL BEFORE SERVICING OR PERFORMING MAINTENANCE.

## User Cleaning Instructions:

1. After the heater has cooled, a vacuum cleaner with brush attachment may be used to remove dust and lint from exterior surfaces of the heater including the grille openings.
2. With a damp cloth, wipe dust and lint from grille and exterior surfaces.
3. Return power to heater and check to make sure it is operating properly.

## Maintenance Cleaning Instructions:

**(To be performed only by Qualified Service Personnel)**

At least annually, the heater should be cleaned and serviced by a qualified service person to assure safe and efficient operation. This should include the removal of the grille and, as necessary the heater from the backbox to clean residue from the unit. After completing the cleaning and servicing, the heater should be fully reassembled and checked for proper operation.

### LIMITED WARRANTY

All products manufactured by Marley Engineered Products are warranted against defects in workmanship and materials for one year from date of installation, except heating elements which are warranted against defects in workmanship and materials for five years from date of installation. This warranty does not apply to damage from accident, misuse, or alteration; nor where the connected voltage is more than 5% above the nameplate voltage; nor to equipment improperly installed or wired or maintained in violation of the product's installation instructions. All claims for warranty work must be accompanied by proof of the date of installation.

The customer shall be responsible for all costs incurred in the removal or reinstallation of products, including labor costs, and shipping costs incurred to return products to Marley Engineered Products Service Center. Within the limitations of this warranty, inoperative units should be returned to the nearest Marley authorized service center or the Marley Engineered Products Service Center, and we will repair or replace, at our option, at no charge to you with return freight paid by Marley. It is agreed that such repair or replacement is the exclusive remedy available from Marley Engineered Products.

THE ABOVE WARRANTIES ARE IN LIEU OF ALL OTHER WARRANTIES EXPRESSED OR IMPLIED, AND ALL IMPLIED WARRANTIES OF MERCHANTABILITY AND FITNESS FOR A PARTICULAR PURPOSE WHICH EXCEED THE AFORESAID EXPRESSED WARRANTIES ARE HEREBY DISCLAIMED AND EXCLUDED FROM THIS AGREEMENT. MARLEY ENGINEERED PRODUCTS SHALL NOT BE LIABLE FOR CONSEQUENTIAL DAMAGES ARISING WITH RESPECT TO THE PRODUCT, WHETHER BASED UPON NEGLIGENCE, TORT, STRICT LIABILITY, OR CONTRACT.

Some states do not allow the exclusion or limitation of incidental or consequential damages, so the above exclusion or limitation may not apply to you. This warranty gives you specific legal rights, and you may also have other rights which vary from state to state.

For the address of your nearest authorized service center, contact Marley Engineered Products in Bennettsville, SC, at 1-800-642-4328. Merchandise returned to the factory must be accompanied by a return authorization and service identification tag, both available from Marley Engineered Products. When requesting return authorization, include all catalog numbers shown on the products.

### HOW TO OBTAIN WARRANTY SERVICE AND WARRANTY PARTS PLUS GENERAL INFORMATION

- |                                |   |
|--------------------------------|---|
| 1. Warranty Service or Parts   | <b>1-800-642-4328</b>   |
| 2. Purchase Replacement Parts  | <b>1-800-654-3545</b>   |
| 3. General Product Information | <b><a href="http://www.marleymep.com">www.marleymep.com</a></b> |

**Note:** When obtaining service always have the following:

1. Model number of the product
2. Date of manufacture
3. Part number or description



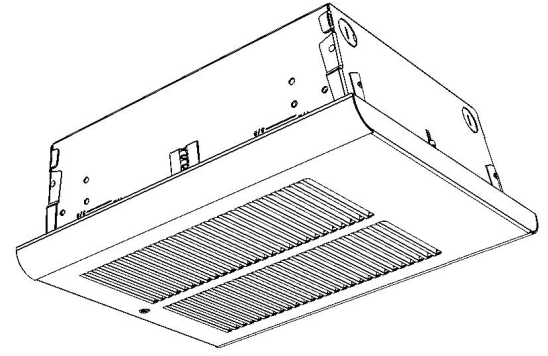
**Marley**<sup>®</sup>  
Engineered Products

470 Beauty Spot Rd. East  
Bennettsville, SC 29512 USA





**Marley®**  
Engineered Products



**Serie U**  
**Calefactor con ventilador**  
**para montaje en el cielorraso**

**Instrucciones de instalación, operación y mantenimiento**

**Especificaciones**

Nº DE MODELO	Nº DE CATÁLOGO	VOLTS	AMPS	WATTS	BTU/HR	CALIBRE DE CABLE
U1000FA	QCH1101	120	8.4 4.2	1000 500	3413 1706	14AWG
U1500FA	QCH1151	120	12.5 6.25	1500 750	5120 2560	12AWG
U2004FA	QCH1202	240	8.4 4.2	2000 1000	6826 3413	14AWG
		208	7.3 3.62	1500 750	5120 2560	14AWG
U2007FA	QCH1207	277	7.2 3.6	2000 1000	6826 3413	14AWG
		240	6.3 3.1	1500 750	5120 2560	14AWG

**INSTRUCCIONES IMPORTANTES**

**⚠️ ADVERTENCIA ⚠️**

AL UTILIZAR ARTEFACTOS ELÉCTRICOS, PARA REDUCIR EL RIESGO DE INCENDIO, CHOQUE ELÉCTRICO Y LESIONES PERSONALES DEBEN OBSERVARSE SIEMPRE ALGUNAS PRECAUCIONES BÁSICAS, COMO LAS SIGUIENTES:

1. Lea todas las instrucciones antes de instalar o utilizar este calefactor.
2. Cuando está en funcionamiento, el calefactor está muy caliente. Para evitar quemaduras, no deje que su piel haga contacto directo con las superficies calientes. Mantenga los materiales combustibles como muebles, almohadas, ropas de cama, papeles, ropas, cortinas, etc. a 0.9 m (3 pies) como mínimo del frente del calefactor.
3. Se necesita extremo cuidado al utilizar cualquier calefactor junto a o cerca de niños o inválidos, y en todo momento en que el calefactor quede funcionando y desatendido.
4. No opere ningún calefactor después de que haya tenido una falla de funcionamiento. Desconecte la alimentación eléctrica en el tablero de servicio y haga revisar el calefactor por un electricista calificado antes de usarlo.
5. No use el equipo en exteriores.
6. Para desconectar el calefactor, lleve los controles a la posición Apagado (OFF) y desconecte la alimentación del circuito del calefactor en el tablero de desconexión principal.
7. No inserte ni permita que entren objetos extraños en ninguna abertura de ventilación o de descarga, porque esto puede ser causa de choque eléctrico, incendio o daño al calefactor.
8. Para evitar un posible incendio, no bloquee de ningún modo la entrada ni la descarga de aire.
9. Un calefactor tiene en su interior piezas calientes, y piezas en donde se producen arcos o chispas. No lo utilice en áreas en las que se utilice o almacene gasolina, pintura o líquidos inflamables.
10. Utilice este calefactor únicamente de la manera descrita en este manual. Cualquier otra forma de uso no recomendada por el fabricante puede ser causa de incendio, choque eléctrico o daños personales.
11. Este calefactor cuenta con una luz de alarma roja que se ilumina únicamente si el calefactor se ha apagado como resultado del sobrecalentamiento. Si usted ve la luz encendida, apague de inmediato el calefactor y haga una inspección para ver si hay objetos sobre o cerca del calefactor que pudieran haber bloqueado la circulación de aire o causado de alguna otra forma la presencia de altas temperaturas. **NO OPERE EL CALEFACTOR CON LA LUZ DE ALARMA ENCENDIDA.**
12. Este calefactor está destinado a aplicaciones de calefacción ambiental, y no es para utilizar en ambientes especiales. No lo use en lugares húmedos o mojados como zonas marítimas o invernaderos, ni en áreas en las que estén presentes agentes químicos o corrosivos.
13. Al realizar la instalación, vea las advertencias y precauciones adicionales en las INSTRUCCIONES DE INSTALACIÓN.
14. Para asegurar una operación segura y eficiente, y para extender la vida útil de su calefactor, manténgalo limpio. Vea las INSTRUCCIONES DE MANTENIMIENTO.

**GUARDE ESTAS INSTRUCCIONES**

# INSTRUCCIONES DE INSTALACIÓN

## ⚠ ADVERTENCIA ⚠

Para evitar un posible incendio, lesiones personales o daños al calefactor, observe lo siguiente:

1. Antes de proceder a tareas de conexión o de reparación del calefactor, desconecte toda la alimentación eléctrica que llega al mismo desde el tablero principal de servicio.
2. Todos los procedimientos de cableado y conexiones deben hacerse de conformidad con los códigos nacionales y locales que tengan jurisdicción, y el calefactor debe estar conectado a tierra.
3. La alimentación eléctrica debe ingresar a la caja posterior a través del prepunzonado ubicado detrás del interruptor de desconexión.
4. Verifique que la tensión de alimentación provista al calefactor coincida con la tensión nominal indicada en la placa de características del mismo.

**ATENCIÓN:** SI SE ENERGIZA UN CALEFACTOR CON UNA TENSIÓN MAYOR QUE EL VALOR DE TENSIÓN IMPRESO EN LA PLACA DE CARACTERÍSTICAS, SE DAÑARÁ EL CALEFACTOR, SE ANULARÁ LA GARANTÍA, Y PODRÍA PRODUCIRSE UN INCENDIO.

5. **ATENCIÓN** - alta temperatura, riesgo de incendio. Mantenga los cables eléctricos, cortinados, muebles y otros elementos combustibles a 0.9 m (3 pies) como mínimo del frente del calefactor. No instale el calefactor detrás de puertas, debajo de toalleros, en el cielorraso, ni en un área en la que esté sujeto a bloqueo por muebles, cortinas o materiales almacenados. El aire caliente que sale del calefactor puede dañar algunas telas y plásticos.
6. Para reducir el riesgo de incendio, no almacene ni use gasolina u otros vapores y líquidos inflamables en las cercanías del calefactor.
7. Este calefactor debe montarse únicamente con la caja posterior. La caja posterior debe fijarse firmemente a la estructura del edificio. La estructura del edificio debe poder soportar el calefactor y todos los accesorios (aproximadamente 8.2 kg / 18 lb).
8. Este calefactor está destinado para su instalación en el cielorraso únicamente. NO instale el calefactor a menos de 1829 mm (6 pies) del piso. NO lo instale a menos de 305 mm (12") de las paredes adyacentes. NO lo instale en paredes, piso u otras ubicaciones.
9. No haga funcionar el calefactor sin haber instalado la rejilla.
10. No utilice este calefactor para fines de secado, ya que la pintura, el yeso, el aserrín y el polvo proveniente del lijado de paredes secas provocarán daños permanentes al calefactor, por lo que no deben entrar al mismo.

## GENERALIDADES

El calefactor está diseñado para una instalación empotrada en vigas de 50 mm x 101 mm (2" x 4") o secciones de cielorraso mayores, mediante la caja posterior provista. El calefactor puede también montarse en superficie mediante el bastidor de montaje superficial. El calefactor debe estar controlado por un termostato unipolar montado en la pared (pedido por separado). El calefactor puede conectarse mediante cable estándar para edificios (60 °C). Para ver la tensión de alimentación y el calibre de cable correctos, consulte el cuadro de especificaciones (vea la página 4).

**NOTA:** la altura óptima de montaje para este calefactor es 2440 mm (8') desde el piso hasta el fondo de la caja posterior. No lo instale en ningún caso a menos de 1830 mm (6') del piso ni a menos de 305 mm (12") de las paredes adyacentes.

## INSTALACIÓN DE LA CAJA POSTERIOR EN UNA CONSTRUCCIÓN NUEVA

**NOTA:** si el cielorraso ha sido construido y su superficie terminada anteriormente, siga las instrucciones para 'INSTALACIÓN DE LA CAJA POSTERIOR EN UNA CONSTRUCCIÓN EXISTENTE'

1. Determine cuál de los lados de la caja posterior va a montarse contra una viga, y doble las aletas de los ángulos posteriores 90 grados hacia afuera, de manera que la caja quede escuadrada con la viga después de la instalación (vea la Figura 1).
2. Quite uno de los prepunzonados del lado del tomacorriente de la caja posterior, e instale un conector para conducto o cable.
3. Posicione la caja posterior contra un lado de la viga, y asegúrela mediante clavos o tornillos, como se muestra en la Figura 1.

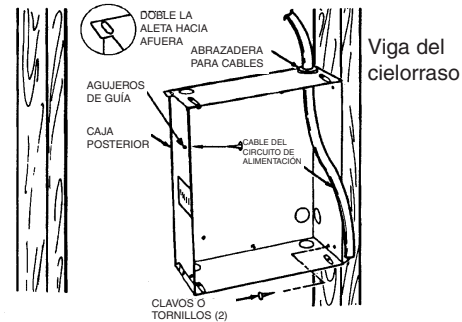


Figura 1

**NOTA:** la caja posterior debe instalarse de modo que el borde frontal quede enrasado con la superficie terminada.

4. Tienda el cable de alimentación eléctrica a través del conector, dejando alrededor de 203 mm (8") de cable dentro de la caja.
5. Tienda el cable del termostato desde el termostato de la pared hasta la ubicación del calefactor, dejando al menos 153 mm (6") de cable dentro de la caja (vea el Aviso de retardo de ventilador).
6. Conecte el conductor de tierra del cable de alimentación eléctrica al tornillo verde de puesta a tierra provisto.

**NOTA:** en los lados de la caja posterior se han provisto agujeros de guía para tornillos para chapa N° 8. Después de haber terminado la pared o el cielorraso, inserte un tornillo para chapa M4 (N° 8) (longitud recomendada: 25 mm / 1") a través del lado de la caja que no está montado en la viga. Esto impedirá que la caja salga hacia afuera cuando se instale el conjunto del calefactor. (Vea la Figura 1).

## Instalación de la caja posterior en una construcción existente

1. Marque y corte con cuidado un agujero de 235 mm (9-3/8") de ancho por 283 mm (11-1/8") de longitud. Uno de los bordes del agujero debe cortarse a lo largo del borde de una viga.
2. Realice los pasos N° 1 al 6 (Instalación de la caja posterior en una construcción nueva).

## ATTENTION ⚠

SI EL TENDIDO DE CABLES O DE TUBERÍAS ES DAÑADO DURANTE EL CORTE PODRÍAN PRODUCIRSE DAÑOS POR CHOQUE ELÉCTRICO, INCENDIO O AGUA. ASEGÚRESE DE ESTAR EN UN ÁREA ALEJADA DE TODO TENDIDO DE CABLES Y DE TUBERÍAS ANTES DE CORTAR.



## Instalación del calefactor en un cielorraso con perfiles 'T' por medio del juego de bastidor modelo HTBF

### ⚠ ADVERTENCIA ⚠

**RIESGO DE CAÍDA: LA CAJA POSTERIOR DEL CALEFACTOR DEBE ESTAR ASEGURADA FIRMEMENTE A LA ESTRUCTURA DEL EDIFICIO, Y ESTA ESTRUCTURA DEBE SER CAPAZ DE SOPORTAR EL CALEFACTOR CON TODOS SUS ACCESORIOS. EL PESO DEL CALEFACTOR CON ACCESORIOS ES COMO MÍNIMO 8.2 KG (18 LB).**

1. Determine la ubicación deseada del calefactor.
2. Extraiga el calefactor de la caja, y retire la cubierta frontal y el conjunto de calefactor de la caja posterior.
3. Retire de la caja el bastidor de perfiles 'T' y el sobre que contiene los tornillos de montaje.

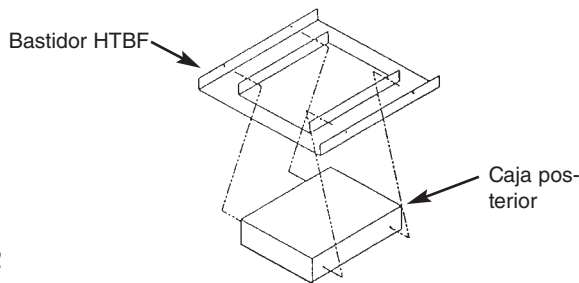


Figura 2

4. Monte la caja posterior del calefactor en el juego de bastidor HTBF por medio de los cuatro tornillos provistos. Consulte la Figura 2.
5. Coloque el bastidor HTBF con la caja posterior del calefactor instalada en la armazón del cielorraso, y asegúrelo en su posición. Asegure adecuadamente el bastidor a la estructura del edificio, utilizando un alambre apropiado para impedir la caída del calefactor y el bastidor.
6. Haga llegar el cable de la fuente de alimentación al lugar de instalación del calefactor. Retire de la caja posterior el prepunzonado que prefiere, e instale el cable por medio de una abrazadera para cables apropiada, dejando al menos 153 mm (6 pulgadas) de cable en la caja para conexiones.

**NOTA:** el cable de la fuente de alimentación debe ingresar a la caja posterior en un lugar ubicado detrás del conjunto del interruptor de desconexión.

7. Complete la instalación siguiendo los pasos 1 a 5 de la sección 'Instalación y conexionado del conjunto calefactor / ventilador'.

### Conversión en el campo para una potencia (watts) menor

**NOTA:** para ver las potencias nominales (watts) menores disponibles, consulte el cuadro de especificaciones.

Para convertir el calefactor a una potencia nominal (watts) menor, retire completamente el puente de cable rojo de ambos elementos calefactores (vea la Figura 3). Deseche este puente. Asegúrese de que los cables restantes estén conectados firmemente.

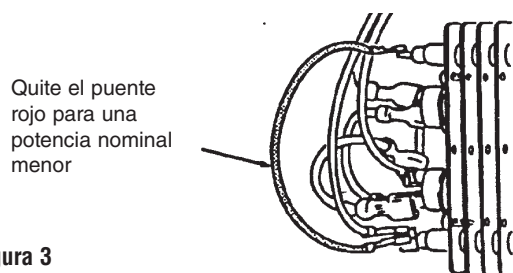


Figura 3

## Conexionado

1. De acuerdo con el diagrama de conexionado (Figura 4), conecte los cables de alimentación eléctrica y los del termostato a los cables de conexión del calefactor que están en la caja posterior.

**NOTA:** para los calefactores de 120 V y 277 V conecte el cable de conexión de alimentación blanco (neutro) al conductor flexible blanco del calefactor, y conecte el cable de conexión de alimentación negro al conductor flexible negro del calefactor. Para calefactores de 208 y de 240 volts, cambie el color del conductor flexible blanco del calefactor a negro, envolviéndolo en cinta eléctrica negra. (La mayoría de los códigos eléctricos requieren que los cables de conexión de alimentación se conecten a cables de conexión negros). Luego conecte los dos cables de conexión de alimentación negros a los dos cables de conexión de tomacorriente negros. Conecte los dos cables de conexión de termostato rojos al termostato, como se muestra en el diagrama de conexionado.

2. Inserte el enchufe de cables que viene del conjunto de calefactor / ventilador al tomacorriente de la caja posterior.
3. Acomode el conjunto calefactor / ventilador en la caja posterior, y sujételo en su posición con los dos (2) tornillos provistos, a través de las ranuras centrales del conjunto de ventilador.

**NOTA:** use los tornillos provistos por la fábrica para instalar el conjunto de calefactor / ventilador en la caja posterior.

4. Lleve el interruptor de desconexión montado en el conjunto de calefactor / ventilador a la posición 'ENCENDIDO' ('ON').

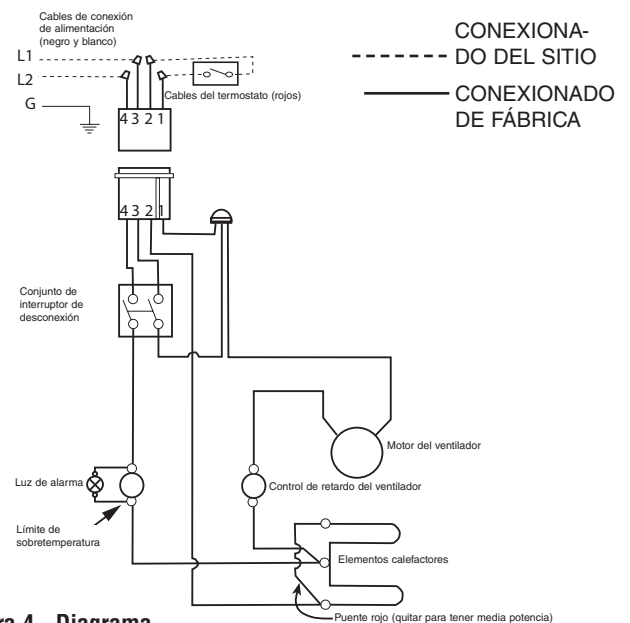


Figura 4 - Diagrama de conexionado

## INSTALACIÓN DE LA CUBIERTA FRONTAL (REJILLA)

1. Monte la rejilla sobre los soportes en la parte superior del calentador. Fichas de hoja de metal en el extremo superior del gancho de la rejilla sobre los soportes en el extremo superior del conjunto del panel de ventilador del calentador .

2. Inserte el tornillo a través del agujero inferior de la parrilla . El tornillo con rosca en la caja posterior . Apriete el tornillo hasta que la parrilla está a ras del techo o marco de montaje . **TENGA CUIDADO DE NO APRIETE DEMASIADO .**

# INSTRUCCIONES DE OPERACIÓN

1. El calefactor debe instalarse correctamente antes de ponerlo en funcionamiento.
2. Haga girar la perilla del termostato en sentido antihorario hasta que el control llegue a un tope. Esta es la posición de calor mínimo.
3. Conecte la alimentación eléctrica al calefactor en el tablero de distribución principal.
4. En esas condiciones, el calefactor no debe funcionar. Si funciona, desconecte la alimentación eléctrica y vuelva a inspeccionar el conexionado.
5. Haga girar la perilla del termostato en sentido horario hasta que llegue a un tope (posición de calor máximo) y espere 2 minutos como mínimo. El control del ventilador retardará el encendido del ventilador hasta que el elemento calefactor esté caliente.
6. Si el calefactor y el ventilador no entran en funcionamiento, desconecte la alimentación eléctrica e inspeccione el conexionado.
7. Deje que el calefactor continúe funcionando hasta que la temperatura ambiente alcance el nivel de confort deseado. Luego haga girar la perilla del termostato de pared lentamente en sentido antihorario, hasta que se escuche el 'clic' que indica que el termostato apagó el calefactor. El ventilador debe continuar funcionando durante un minuto aproximadamente, hasta que el elemento calefactor se enfríe. Si el ventilador se apaga de inmediato cuando el termostato se desactiva, desconecte la alimentación eléctrica y revise el conexionado (vea el Aviso de retardo de ventilador).
8. Puede que sea necesario volver a ajustar el termostato una o más veces hasta que se alcance el nivel de confort exacto. La rotación en sentido horario aumentará el tiempo durante el cual el calefactor producirá calor. La rotación en sentido antihorario reducirá el tiempo durante el cual el calefactor está encendido.

**NOTA:** para obtener los mejores resultados, el calefactor debe permanecer constantemente ENCENDIDO ('ON') durante la temporada en que se necesite calefacción, ya que el termostato, siempre que esté correctamente ajustado, mantendrá la temperatura deseada. En la posición extrema en sentido antihorario, el calefactor permanecerá Apagado ('OFF') hasta que la temperatura de la habitación disminuya bien por debajo del punto de congelación.

## Aviso operacional:

Su calefactor está equipado con un control de límite de sobretemperatura con reposición automática que lo apagará automáticamente para impedir su sobrecalentamiento, que podría provocar un incendio.

### ADVERTENCIA

NO ALTERE NI PUENTE NINGÚN LÍMITE DE SEGURIDAD INTERNO DEL CALEFACTOR.

### PRECAUCIÓN

ATENCIÓN: SI EL CONTROL DE SEGURIDAD SE ACTIVA REPETIDAMENTE DESPUÉS DE LA REPOSICIÓN, NO VUELVA A INTENTAR USAR EL CALEFACTOR. SI LO HACE, EL CALEFACTOR PUEDE SUFRIR DAÑOS PERMANENTES, O PROVOCAR UN INCENDIO O RIESGO PARA LA SEGURIDAD.

# INSTRUCCIONES DE MANTENIMIENTO

Es importante mantener limpio este calefactor. Su calefactor le brindará muchos años de servicio y confort con sólo un mínimo de cuidado. Para asegurar un funcionamiento eficiente, observe las instrucciones simples que se indican a continuación.

### ADVERTENCIA

TODO SERVICIO, MÁS ALLÁ DE UNA SIMPLE LIMPIEZA, QUE REQUIERA UN DESMONTAJE DEBE SER REALIZADO POR PERSONAL DE SERVICIO CALIFICADO.

### ADVERTENCIA

PARA REDUCIR EL RIESGO DE INCENDIO Y DE CHOQUE ELÉCTRICO O LESIONES, DESCONECTE TODA LA ALIMENTACIÓN ELÉCTRICA QUE LLEGA AL CALEFACTOR EN EL TABLERO PRINCIPAL DE SERVICIO Y VERIFIQUE QUE EL ELEMENTO CALEFACTOR ESTÉ FRÍO ANTES DE PRESTAR SERVICIO O DE REALIZAR EL MANTENIMIENTO.

## Instrucciones de limpieza para el usuario:

1. Después de que el calefactor se haya enfriado, puede utilizarse una aspiradora con accesorio de cepillo para eliminar el polvo y la pelusa de las superficies exteriores del calefactor, incluidas las aberturas de la rejilla.
2. Con un paño húmedo, elimine el polvo y la pelusa de la rejilla y las superficies exteriores.
3. Vuelva a conectar la alimentación eléctrica al calefactor y asegúrese de que funcione correctamente.

## Instrucciones de limpieza de mantenimiento:

*(a realizarse únicamente por personal de servicio calificado)*

Al menos una vez por año, un técnico de servicio calificado debe limpiar y prestar servicio al calefactor para asegurar un funcionamiento seguro y eficiente. Esto debe incluir la extracción de la rejilla y, de ser necesario, la extracción del calefactor de la caja posterior para limpiar residuos en la unidad. Después de terminada la limpieza y servicio, el calefactor debe volver a montarse completamente y verificarse que funcione correctamente.

## GARANTÍA LIMITADA

Todos los productos fabricados por Marley Engineered Products están garantizados contra defectos de fabricación y de materiales por 1 año desde la fecha de instalación. Esta garantía no se aplica a daños debidos a accidente, mal uso o alteración, ni a los casos en que la tensión eléctrica conectada supere a la tensión nominal -indicada en la placa de características- en más de 5 %, ni a equipos que hayan sido instalados o cableados incorrectamente, o mantenidos en forma que no cumpla lo indicado en las instrucciones de instalación del producto. Todo reclamo por trabajos en garantía debe acompañarse con una prueba de la fecha de instalación.

El cliente será responsable de todos los costos incurridos en el retiro o reinstalación de productos, incluyendo los costos de mano de obra y los costos de envío incurridos para regresar productos a un Centro de Servicio de Marley Engineered Products. Dentro de las limitaciones de esta garantía, las unidades que no funcionan deben regresarse al centro de servicio autorizado Marley más cercano, o al Centro de Servicio de Marley Engineered Products, y nosotros lo repararemos o reemplazaremos, a nuestra opción, sin cargo para usted, con el flete de retorno pagado por Marley. Se acuerda que tal reparación o reemplazo es el único recurso que Marley Engineered Products pone a su disposición.

LAS GARANTÍAS EXPUESTAS MÁS ARRIBA TOMAN EL LUGAR DE TODA OTRA GARANTÍA, EXPRESA O IMPLÍCITA, Y POR LA PRESENTE SE DECLINA Y EXCLUYE DE ESTE ACUERDO TODA GARANTÍA IMPLÍCITA DE COMERCIALIZACIÓN Y ADECUACIÓN A UN PROPÓSITO PARTICULAR QUE EXCEDA LAS GARANTÍAS EXPRESAS ANTEDICHAS. MARLEY ENGINEERED PRODUCTS NO SE HARÁ RESPONSABLE POR DAÑOS CONSIGUIENTES QUE SE PRODUZCAN CON RESPECTO AL PRODUCTO, EN BASE YA SEA A NEGLIGENCIA, AGRAVIO, RESPONSABILIDAD ESTRICTA, O CONTRATO.

Algunos estados o jurisdicciones no permiten la exclusión o limitación de daños incidentales o consiguientes, de modo que la exclusión o limitación expresada más arriba puede no aplicarse a su caso. Esta garantía le da derechos legales específicos, y usted puede tener también otros derechos, que varían de un estado o jurisdicción a otro.

Para obtener la dirección de su centro de servicio autorizado más cercano comuníquese con Marley Engineered Products en Bennettsville, SC, Estados Unidos, llamando al 1-800-642-4328. Toda mercadería regresada a la fábrica debe ser acompañada por una autorización de retorno y una etiqueta de identificación de servicio, disponibles ambas en Marley Engineered Products. Cuando solicite la autorización de retorno, incluya todos los números de catálogo mostrados en los productos.

### CÓMO OBTENER SERVICIO EN GARANTÍA, PIEZAS DE REPUESTO E INFORMACIÓN GENERAL

- |  |   |
|--|---|
| 1. Servicio o repuestos en garantía    | <b>1-800-642-4328</b>   |
| 2. Compra de repuestos                 | <b>1-800-654-3545</b>   |
| 3. Información general sobre productos | <b><a href="http://www.marlymep.com">www.marlymep.com</a></b> |

**Nota:** cuando solicite servicio, siempre dé la información que sigue:

1. Número de modelo del producto
2. Fecha de fabricación
3. Número de parte o descripción



**Marley**<sup>®</sup>  
Engineered Products

470 Beauty Spot Rd. East  
Bennettsville, SC 29512 USA



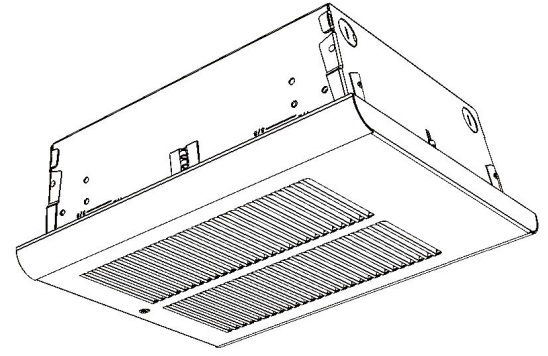
**Marley**<sup>®</sup>  
Engineered Products

## Série U

Radiateurs à air pulsé  
montés au plafond



Intertek



# Instructions d'installation, d'utilisation et d'entretien

## Spécifications

MODÈLE	N° CATALOGUE	VOLTS	AMPS	WATTS	BTU/H	TAILLE DE FILS
U1000FA	QCH1101	120	8.4 4.2	1000 500	3413 1706	14AWG
U1500FA	QCH1151	120	12.5 6.25	1500 750	5120 2560	12AWG
U2004FA	QCH1202	240	8.4 4.2	2000 1000	6826 3413	14AWG
		208	7.3 3.62	1500 750	5120 2560	14AWG
U2007FA	QCH1207	277	7.2 3.6	2000 1000	6826 3413	14AWG
		240	6.3 3.1	1500 750	5120 2560	14AWG

## INSTRUCTIONS IMPORTANTES



### AVERTISSEMENT



LORS DE L'UTILISATION D'APPAREILS ÉLECTRIQUES, DES PRÉCAUTIONS DE BASE DOIVENT TOUJOURS ÊTRE SUIVIES AFIN DE RÉDUIRE LE RISQUE DE DÉPART D'INCENDIE, DE COMMOTION ÉLECTRIQUE ET DE BLESSURES AUX PERSONNES, INCLUANT CELLES QUI SUIVENT :

1. Lisez toutes les instructions avant d'installer ou d'utiliser le radiateur.
2. Ce radiateur est chaud quand il est en fonctionnement. Pour éviter des brûlures, ne laissez pas de peau nue toucher ses surfaces chaudes. Maintenez les matières combustibles comme le mobilier, les oreillers, la literie, les papiers, les vêtements et les couvertures, à au moins 3 pieds (90 cm) de distance de l'avant du radiateur.
3. Il faut faire très attention quand un radiateur quelconque est utilisé par des enfants ou des personnes invalides ou près d'eux, et à chaque fois que le radiateur est laissé en marche sans surveillance.
4. N'utilisez plus un radiateur s'il a présenté des dysfonctionnements. Débranchez son alimentation au panneau de distribution du secteur et faites-le inspecter par un bon électricien avant de le réutiliser.
5. Ne l'utilisez pas à l'extérieur.
6. Pour déconnecter le radiateur, passez sa commande sur arrêt (Off) et coupez le secteur en amont au panneau de distribution.
7. N'insérez pas d'objets étrangers, et ne permettez pas qu'il en entre, dans toute ouverture d'admission ou d'évacuation, car cela peut causer une commotion électrique ou un départ d'incendie, ou endommager le radiateur.
8. Pour éviter un possible départ d'incendie, n'obstruez en aucune façon les admissions et les échappements d'air.
9. Un radiateur comporte à l'intérieur des parties chaudes, et pouvant produire un arc ou des étincelles électriques. Ne l'utilisez pas dans des zones où de l'essence ou des liquides inflammables sont utilisés ou entreposés.
10. N'utilisez ce radiateur que comme c'est décrit dans ce manuel. Toute autre utilisation non recommandée par le constructeur peut causer un départ d'incendie, une commotion électrique ou des blessures corporelles.
11. Ce radiateur est fourni avec un voyant rouge d'alarme qui ne s'allumera que si le radiateur a été coupé suite à une surchauffe. Si vous voyez ce voyant allumé, arrêtez immédiatement le radiateur et inspectez pour voir s'il y a des objets dessus ou à côté qui pourraient avoir bloqué le flux d'air ou avoir fait qu'une surchauffe soit survenue. **NE FAITES PAS FONCTIONNER LE RADIATEUR AVEC LE VOYANT D'ALARME ALLUMÉ.**
12. Ce radiateur est prévu pour des applications de chauffage de confort, et n'est pas conçu pour une utilisation dans des endroits spéciaux. Ne l'utilisez pas dans des lieux humides ou mouillés, tels que dans un contexte marin ou une serre, ou dans des endroits où il y a présence d'agents corrosifs ou chimiques.
13. Lors de l'installation, voyez les INSTRUCTIONS D'INSTALLATION pour des mises en gardes et précautions supplémentaires.
14. Pour un fonctionnement sûr et efficace, et pour prolonger sa durée de service, gardez votre radiateur propre – Voyez les INSTRUCTIONS D'ENTRETIEN.

**CONSERVEZ CES INSTRUCTIONS**



## Installation du radiateur sur un plafond en T en utilisant un kit de cadre modèle F-TBF

### ⚠ AVERTISSEMENT ⚠

**RISQUE DE CHUTE - LE BOÎTIER ARRIÈRE DU RADIATEUR DOIT ÊTRE BIEN FIXÉ SUR LA STRUCTURE DU BÂTIMENT, LAQUELLE DOIT POUVOIR SUPPORTER LE RADIATEUR ET TOUS SES ACCESSOIRES. LE POIDS DU RADIATEUR AVEC ACCESSOIRES EST AU MOINS DE 18 LBS. (18,2 KG).)**

1. Déterminez l'emplacement de montage voulu pour le radiateur.
2. Sortez le radiateur du carton, enlevez le couvercle frontal et l'ensemble de radiateur du carton.
3. Sortez le cadre pour barres en T et l'enveloppe contenant les vis de montage du carton.

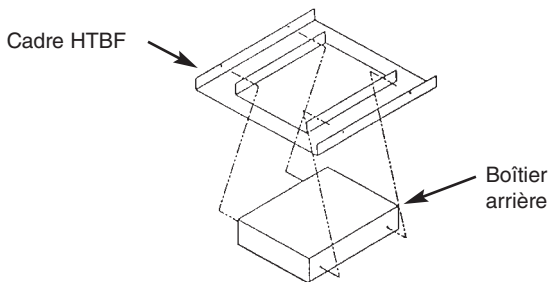


Figure 2

4. Montez le boîtier arrière de radiateur sur le cadre HTBK en utilisant les quatre vis fournies (Référez-vous à la Figure 2).
5. Placez le cadre HTBF avec le boîtier arrière de radiateur installé dans la structure de plafond et fixez en place. Attachez le cadre sur la structure de bâtiment si nécessaire en utilisant un cordon approprié pour éviter une chute du radiateur et du cadre.
6. Amenez un câble d'alimentation secteur jusqu'à l'emplacement du radiateur. Enlevez la pastille à enfoncer voulue du boîtier arrière et installez le câble en utilisant un collier pour câble approprié, en laissant au moins 6" (153 mm) de fils dans le boîtier pour les raccordements.

**REMARQUE :** Le câble d'alimentation secteur doit entrer dans le boîtier arrière à l'endroit derrière l'ensemble d'interrupteur de coupure.

7. Terminez l'installation en suivant les étapes 1 à 5 de la section d'Installation et de câblage de radiateur / ensemble de ventilateur.

### Conversion sur site pour puissance inférieure

**REMARQUE :** Référez-vous au tableau de spécifications pour les valeurs de puissance plus faibles qui sont disponibles.

Pour transformer le radiateur pour une plus basse puissance, enlevez complètement le cavalier en fil rouge entre les deux éléments de chauffe (Voyez la Figure 3). Vous pouvez jeter ce cavalier. Assurez-vous que les fils qui restent sont solidement branchés.

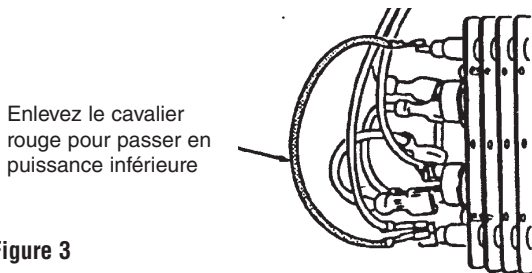


Figure 3

### Câblage

1. Suivez le schéma de câblage (Figure 4) pour brancher les fils d'alimentation et les fils de thermostat avec les fils du radiateur dans le boîtier arrière.

**REMARQUE :** Pour les radiateurs en 120 et 277 volts, branchez le fil d'alimentation blanc de Neutre au fil blanc en tire-bouchon du radiateur, et le fil noir de Phase d'alimentation au fil noir en tire-bouchon du radiateur. Pour les radiateurs en 208 et 240 volts, changez la couleur du fil blanc du radiateur en noir, en entourant son extrémité avec de la bande adhésive noire d'électricien (la plupart des normes électriques exigent que les fils d'alimentation soient reliés à des fils noirs). Puis branchez les deux fils d'alimentation noirs sur les deux fils noirs du réceptacle. Branchez les deux fils rouges de thermostat au thermostat comme c'est montré sur le schéma de câblage.

2. Insérez la fiche de câblage de l'ensemble de radiateur/ventilateur dans le boîtier arrière.
3. Disposez l'ensemble de radiateur/ventilateur dans le boîtier arrière et fixez-le en place avec (2) vis fournies au travers des fentes centrales dans l'ensemble de ventilateur.

**REMARQUE :** Utilisez les vis fournies par l'usine pour installer l'ensemble de radiateur/ventilateur dans le boîtier arrière.

4. Passez le commutateur de coupure monté sur l'ensemble de radiateur/ventilateur sur Marche (ON).

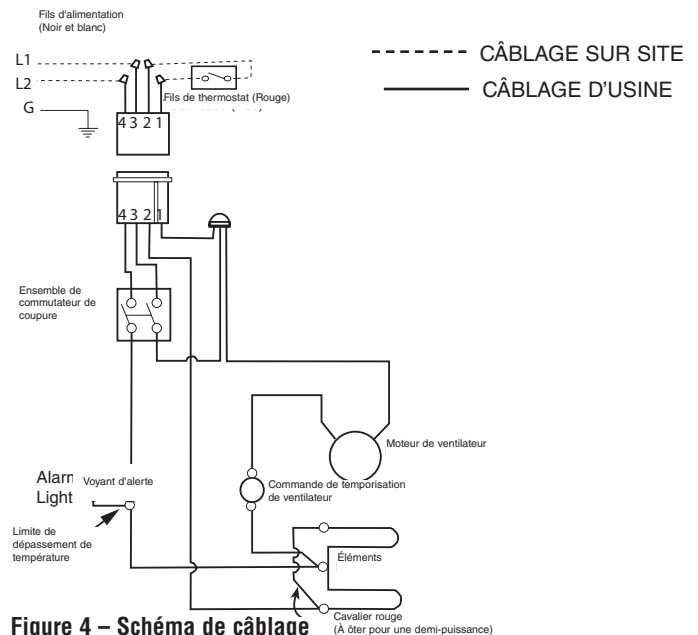


Figure 4 – Schéma de câblage

### INSTALLATION DE GRILLE AVANT

1. Monter la grille sur les supports dans le haut de l'appareil. Languettes de tôle à l'extrémité supérieure du crochet de grille sur les supports à l'extrémité supérieure de l'assemblage du panneau de ventilateur de l'appareil de chauffage .

2. Insérez la vis dans le trou en bas sur la grille . La vis avec du fil dans le boîtier d'encastrement . Serrer la vis jusqu'à ce que la grille est au ras du plafond ou cadre de montage . ATTENTION ne pas trop serrer .

# INSTRUCTIONS D'UTILISATION

1. Le radiateur doit être correctement installé avant d'être mis en marche.
2. Faites tourner le bouton de thermostat en sens antihoraire jusqu'à son arrêt. C'est le réglage de consigne minimale de température.
3. Mettez le radiateur en marche (ON) au panneau de commande principal.
4. Le radiateur ne doit pas démarrer. S'il démarre bien, débranchez-le.
5. Faites tourner le bouton de thermostat en sens horaire jusqu'à l'arrêt (réglage de température maximal) et attendez au moins 2 minutes. Le contrôle de ventilateur va retarder son démarrage jusqu'à ce que l'élément soit chaud.
6. Si le radiateur et ventilateur ne démarrent pas, débranchez l'alimentation et vérifiez le câblage.
7. Laissez le radiateur continuer de fonctionner jusqu'à ce que la température de la pièce atteigne le niveau confortable souhaité. Tournez alors le bouton du thermostat en sens antihoraire jusqu'à l'obtention d'un déclic. Le ventilateur va continuer de tourner pendant environ une minute jusqu'à ce que l'élément soit refroidi. Si le ventilateur s'arrête immédiatement quand le thermostat est coupé, débranchez l'alimentation et vérifiez le câblage (Voir l'avis sur la temporisation de ventilateur).
8. Il peut être nécessaire de réajuster le thermostat une ou deux fois jusqu'à ce que la température exacte de confort soit obtenue. Une rotation en sens horaire va augmenter la durée pendant laquelle le radiateur va chauffer. Une rotation en sens antihoraire va réduire la durée de fonctionnement du radiateur.

**REMARQUE :** Pour obtenir les meilleurs résultats, le radiateur doit rester en marche (ON) en permanence durant la saison de chauffage, du fait que le thermostat quand il est bien réglé maintiendra la température désirée. Mis en position antihoraire à fond, le radiateur restera arrêté jusqu'à ce que la température ambiante retombe bien au delà du niveau de gel.

## Remarque de fonctionnement :

Votre radiateur est équipé d'un dispositif de protection automatique contre un dépassement de température, qui coupe automatiquement le radiateur pour éviter un départ d'incendie en cas de surchauffe.

### AVERTISSEMENT

NE TOUCHEZ PAS ET NE CONTOURNEZ PAS LES LIMITES DE SÉCURITÉ À L'INTÉRIEUR DU RADIATEUR

### ATTENTION

NE CONTINUEZ PAS D'ESSAYER D'UTILISER LE RADIATEUR SI SON CONTRÔLE DE SÉCURITÉ SE DÉCLENCHE À RÉPÉTITION APRÈS SA RESTAURATION. EN LE FAISANT VOUS POURRIEZ L'ENDOMMAGER DE FAÇON IRRÉMÉDIABLE OU CAUSER UN DÉPART D'INCENDIE OU DES RISQUES POUR LA SÉCURITÉ.

# INSTRUCTIONS D'ENTRETIEN

Il est important de garder propre le radiateur. Votre radiateur vous fournira des années de bon service et de confort avec juste un minimum de soins. Pour assurer son fonctionnement efficace, suivez les instructions simples ci-dessous :

### AVERTISSEMENT

TOUTE INTERVENTION DE SERVICE AU-DELÀ D'UN SIMPLE NETTOYAGE, QUI NÉCESSITE UN DÉMONTAGE, DEVRA ÊTRE RÉALISÉE PAR DU PERSONNEL DE SERVICE QUALIFIÉ.

### AVERTISSEMENT

POUR RÉDUIRE LE RISQUE DE DÉPART D'INCENDIE ET DE COMMOTION ÉLECTRIQUE OU DE BLESSURE, DÉBRANCHEZ TOUTE ALIMENTATION ÉLECTRIQUE ALLANT AU RADIATEUR EN AMONT AU PANNEAU DE SERVICE, ET VÉRIFIEZ QUE L'ÉLÉMENT DE CHAUFFE EST FROID AVANT D'INTERVENIR POUR DU SERVICE OU DE L'ENTRETIEN.

## Instructions de nettoyage par l'utilisateur :

1. Une fois que le radiateur est froid, vous pouvez utiliser un aspirateur avec son accessoire brosse pour éliminer la poussière et les peluches des surfaces extérieures du radiateur, y compris les ouvertures de la grille.
2. Avec un chiffon humide, enlevez poussière et peluche de la grille et des surfaces extérieures.
3. Remettez le radiateur sous tension et vérifiez son bon fonctionnement.

## Instructions de nettoyage d'entretien :

**(Ne doit être exécuté que par du personnel de service qualifié)**

Au moins une fois par an le radiateur doit être nettoyé et vérifié par une personne de service qualifiée afin d'assurer un fonctionnement sûr et efficace. Cela doit inclure la dépose de la grille et si nécessaire la sortie du radiateur du boîtier arrière, afin de nettoyer les résidus de l'appareil. Une fois le nettoyage et le service terminés, le radiateur doit être complètement remonté et son bon fonctionnement vérifié.

### GARANTIE LIMITÉE

Tous les produits fabriqués par Marley Engineered Products sont garantis contre des défauts dus à la main-d'œuvre et aux matériaux pendant un an à partir de la date d'installation, saufs les éléments de chauffe qui sont garantis de la même façon pendant cinq ans. Cette garantie ne s'applique pas pour des dommages résultant d'accident, de mésusage ou d'altération ; ni si la tension secteur envoyée fait 5 % ou plus au-dessus de la tension nominale de la plaque signalétique ; ni sur l'équipement est incorrectement installé ou câblé, en violation avec les instructions d'installation. Toutes les demandes d'exercice de la garantie devront être accompagnées de la preuve de date d'installation.

Le client doit être responsable de tous les coûts occasionnés pour le démontage ou la réinstallation des produits, incluant les coûts de main-d'œuvre, et les coûts d'expédition pour renvoyer les produits au centre de service de Marley Engineered Products. Dans le cadre des limitations de cette garantie, les unités ne fonctionnant pas doivent être renvoyées au centre de service agréé Marley le plus proche, ou directe au centre de service de Marley Engineered Products, où ils seront réparés ou remplacés, à notre choix, sans frais pour vous avec le port de retour payé par Marley. Il est convenu que cette réparation ou ce remplacement sera le seul remède à attendre de Marley Engineered Products.

LES GARANTIES QUI PRÉCÈDENT TIENNENT LIEU DE TOUTES LES AUTRES GARANTIES, EXPLICITES OU IMPLICITES, ET TOUTES LES GARANTIES IMPLICITES DE VALEUR MARCHANDE ET D'ADÉQUATION POUR UNE FINALITÉ SPÉCIFIQUE QUI EXCÉDERAIENT LES DISPOSITIONS DE GARANTIE PRÉCÉDEMMENT ÉNONCÉES SONT ICI REJETÉES ET EXCLUES DE CET ACCORD. MARLEY ENGINEERED PRODUCTS NE SERA PAS TENU POUR RESPONSABLE DES DOMMAGES CONSÉCUTIFS SURVENANT EN RELATION AVEC LE PRODUIT, QU'ILS SOIENT À BASE DE NÉGLIGENCE, TORT, RESPONSABILITÉ PURE OU CONTRACTUELLE.

Certaines provinces ne permettent pas l'exclusion ou la limitation des dommages consécutifs ou annexes, de ce fait l'exclusion ou la limitation qui précède peut ne pas s'appliquer à votre cas. Cette garantie vous donne des droits légaux spécifiques, qui varient d'une province à l'autre.

Pour obtenir l'adresse de votre centre de service agréé le plus proche, contactez Marley Engineered Products à Bennettsville, SC, USA, au 1-800-642-4328. Toute marchandise retournée à l'usine doit être accompagnée d'une autorisation de renvoi et d'une étiquette d'identification pour le service, ces deux documents étant disponibles auprès de Marley Engineered Products. En demandant une autorisation de retour, fournissez tous les numéros de catalogue indiqués sur les produits.

#### COMMENT OBTENIR DU SERVICE ET DES PIÈCES DANS LE CADRE DE LA GARANTIE ET DES INFORMATIONS GÉNÉRALES

- |  |   |
|--|---|
| 1. Service et pièces sous garantie         | <b>1-800-642-4328</b>   |
| 2. Pièces détachées à acheter              | <b>1-800-654-3545</b>   |
| 3. Informations générales sur les produits | <b><a href="http://www.marleymep.com">www.marleymep.com</a></b> |

**Remarque :** Pour obtenir le service sous garantie vous devez toujours avoir préparé :

1. Référence de modèle du produit
2. Date de fabrication
3. Numéro ou description de pièce



**Marley**<sup>®</sup>  
Engineered Products

470 Beauty Spot Rd. East  
Bennettsville, SC 29512 USA