

Installation Instructions

NOTE: The accessories described in this instruction manual are intended for use with Marley Engineered Products convectors series DBA, ASL3, SHA and ASL5.

SPECIFICATIONS

| Model No. | For Use with Marley Convectors Series |
|-----------|---------------------------------------|
| S01A | DBA & ASL3 |
| S02A | SHA&ASL5 |

Table 1. Required No. of Brackets

| Heater Length in/ft (mm) | No. of Brackets | Heater Length in/ft (mm) | No. of Brackets |
|-----------------------------|--------------------|-----------------------------|--------------------|
| 28" (711) | 2 | 10' (3048) | 4 |
| 3' (914) | 2 | 11' (3353) | 4 |
| 4' (1219) | 2 | 12' (3658) | 4 |
| 5' (1524) | 3 | 13' (3962) | 5 |
| 6' (1829) | 3 | 14' (4267) | 5 |
| 8' (2438) | 3 | 15' (4572) | 5 |



WARNING

This instruction sheet contains vital information for the proper installation and use of the accessory described herein. Carefully read this manual before installation, operation, or service of the accessory. Failure to follow these instructions could result in fire, electric shock, death, serious personal injury, or property damage. Save these instructions for reference by future users.

WARNING: HAZARD OF FIRE OR ELECTRIC SHOCK.

1. Be sure electric power is disconnected at main fuse or circuit breaker distribution panel before installation or servicing.
2. The installation must comply with all Local and National Electrical Codes and utility requirements.
3. Refer to installation instructions provided with the heater when installing this accessory.

SAVE THESE INSTRUCTIONS

INSTALLATION

1. Refer to heater Installation Instructions to determine mounting height limitations.
2. Determine mounting location and desired mounting height. Draw a horizontal pencil line at location of bottom of heater. The line should be level or parallel with the window sill if mounting under a window.
3. Remove the heater cover as described in heater Installation Instructions, to provide access to the interior of the heater.

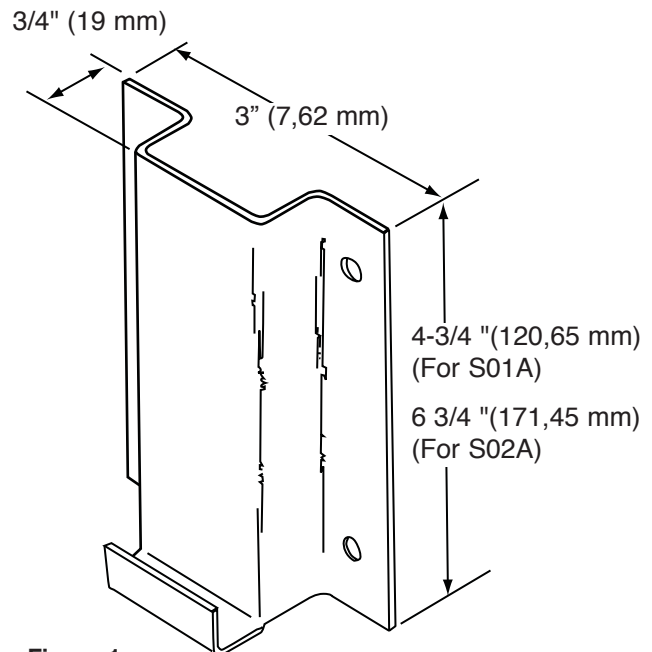


Figure 1

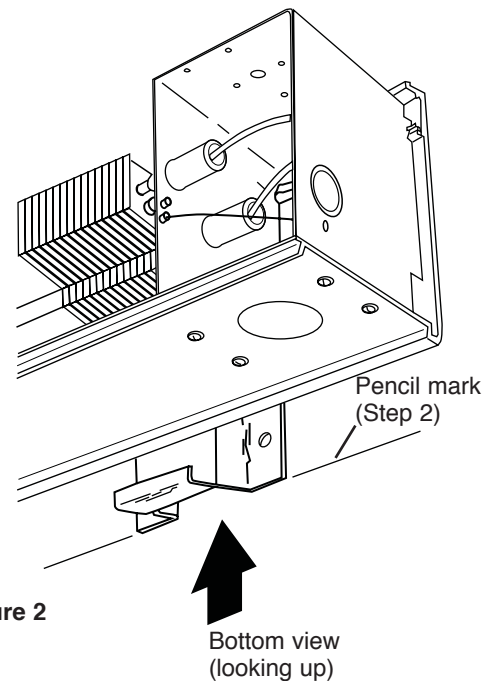


Figure 2

4. Position the Stand-off Bracket on the wall just above the line drawn in Step 2. (See Figure 2.)
5. Securely mount the Stand-off Bracket on the wall using four (4) screws (not provided). Four (4) predrilled holes in the bracket flanges are provided for these screws.
6. Repeat Steps 4 and 5 for the bracket on the opposite end of the heater.
7. Refer to Table 1 to determine if additional brackets are required. If they are, position the heater onto the two brackets installed in Steps 4, 5 and 6. Position additional brackets (equally spaced, if possible) and mark desired mounting location on the wall.
8. Mount the additional brackets in the same manner as before, using four (4) screws through the four (4) pre-drilled holes in the flanges.

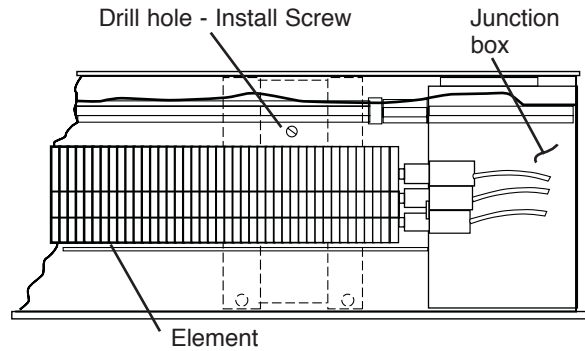


Figure 3

10. Mount the heater to the Stand-off Brackets using sheet metal screws (one per bracket).

Note: No. 10 x 1/2-inch (M10 x 1,25 x 12,7 mm) or larger screws should be used.

INSTALLATION OF MULTIPLE HEATERS (End-to-End)

Note: Heaters may butt against each other, thus eliminating the filler piece, if so desired.

For installation of heaters end-to-end, the alignment tab, provided with each heater, should be used to maintain alignment of the heaters. See heater instructions for procedure to install alignment tabs.

9. Position the heater onto the stand-off brackets. Drill a hole through the back housing of the heater into each bracket. (See Figure 3.).

Note: Drill size should be appropriate for the size sheet metal screw to be used.



CAUTION

TO AVOID POSSIBLE DAMAGE TO THE HEATER, USE CARE WHEN DRILLING HOLES TO AVOID TOUCHING ANY INTERNAL HEATER COMPONENTS.

LIMITED WARRANTY

All products covered by this instruction sheet are warranted against defects in workmanship and materials for one year from date of installation. This warranty does not apply to damage from accident, misuse, or alteration; nor where the connected voltage is more than 5% above the nameplate voltage; nor to equipment improperly installed or wired or maintained in violation of this instruction sheet. All claims for warranty work must be accompanied by proof of the date of installation.

The customer shall be responsible for all costs incurred in the removal or reinstallation of products, including labor costs, and shipping costs incurred to return products to a Marley Engineered Products Service Center, and we will repair or replace, at our option, at no charge to you with return freight paid by Marley. It is agreed that such repair or replacement is the exclusive remedy available from Marley Engineered Products.

THE ABOVE WARRANTIES ARE IN LIEU OF ALL OTHER WARRANTIES EXPRESSED OR IMPLIED, AND ALL IMPLIED WARRANTIES OF MERCHANTABILITY AND FITNESS FOR A PARTICULAR PURPOSE WHICH EXCEED THE AFORESAID EXPRESSED WARRANTIES ARE HEREBY DISCLAIMED AND EXCLUDED FROM THIS AGREEMENT. MARLEY ENGINEERED PRODUCTS SHALL NOT BE LIABLE FOR CONSEQUENTIAL DAMAGES ARISING WITH RESPECT TO THE PRODUCT, WHETHER BASED UPON NEGLIGENCE, TORT, STRICT LIABILITY, OR CONTRACT.

Some states do not allow the exclusion on limitation of incidental or consequential damages, so the above exclusion or limitation may not apply to you. This warranty gives you specific legal rights, and you may also have other rights which vary from state.

For the address of your nearest authorized service center, contact Marley Engineered Products, 470 Beauty Spot Road East, Bennettsville, SC 29512 USA. Merchandise returned to the factory must be accompanied by a return authorization and service identification tag, both available from the above location. When requesting return authorization, include all catalog numbers shown on the products.

HOW TO OBTAIN WARRANTY SERVICE AND WARRANTY PARTS PLUS GENERAL INFORMATION

1. Warranty Service or Parts **1-800-642-4328**
2. Purchase Replacement Parts **1-800-654-3545**
3. General Product Information **www.marlymep.com**

Note: When obtaining service always have the following:

1. Model number of the product
2. Date of manufacture
3. Part number or description



Marley
Engineered Products
An **SPX** Company

SPX Corporation
470 Beauty Spot Rd. East
Bennettsville, SC 29512 USA

ECR 36326

10/04

5200-2091-002