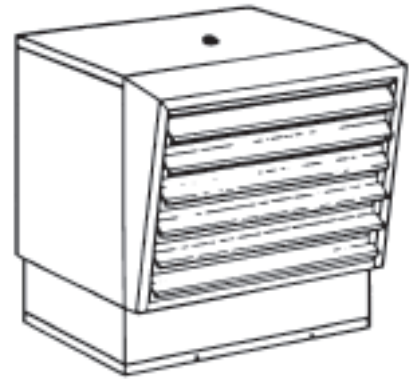




# Marley

Engineered Products



## UH SERIES UNIT HEATERS 5KW through 30KW

 c UL us  
FILE #E21609

### Installation & Maintenance Instructions

Dear Owner,

*Congratulations! Thank you for purchasing this new heater manufactured by a division of Marley Engineered Products. You have made a wise investment selecting the highest quality product in the heating industry. Please carefully read the installation and maintenance instructions shown in this manual. You should enjoy years of efficient heating comfort with this product from Marley Engineered Products... the industry's leader in design, manufacturing, quality and service.*

*... The Employees of  
Marley Engineered Products*

#### **WARNING**

**Read Carefully** - This Instruction Sheet contains vital information for the proper installation, use and efficient operation of the heater. Carefully read the manual before installation, operation, or cleaning of the heater. Failure to adhere to the instructions could result in fire, electric shock, death, serious personal injury or property damage. Save these instructions and review frequently for continuing safe operation and instructing future users.

1. To prevent a possible electrical shock, disconnect all power coming to heater at main service panel before wiring or servicing.
2. All wiring must be in accordance with the National Electrical Code (Canadian Electrical Code in Canada) and all applicable local codes. The heater must be grounded as a precaution against electrical shock. Supply wiring must be copper and suitable for at least 75° C.
3. Verify the power supply and control voltages coming to the heater match the ratings printed on the heater nameplate before energizing.

4. This heater is NOT suitable for use in hazardous locations as described by the National Fire Protection Association (NFPA). this heater has hot and arcing or sparking parts inside. DO NOT use in areas where gasoline, paint or other flammable liquids are used or stored.
5. Heater must be installed so the minimum clearances shown in Specifications table are maintained.
6. Heater air flow MUST be directed parallel to or away from adjacent walls.
7. The mounting structure and anchoring hardware MUST BE capable of reliably supporting the weight of the heater plus mounting bracket if used. Refer to specifications table for heater weight.
8. To prevent a possible fire, DO NOT block air intakes or exhaust openings in any manner. DO NOT allow foreign objects to enter grille openings as this may cause electric shock, fire or damage to heater.

**SAVE THESE INSTRUCTIONS**

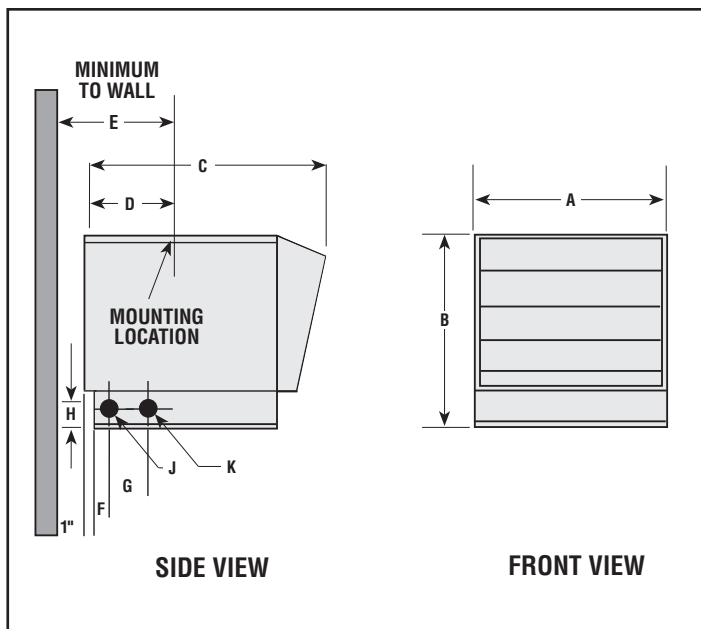
## Specifications

Model No.	Wattage (KW)	Btu/Hr.	Heater Voltage	Wiring Phase	Mounting Height ft. (mm)		Air Throw ft. (mm)	Center of Heater to Wall inches (mm)	Ship Wt. lb. (kg)
					Min.	Max.			
UH520 UH524 UH534 UH548 UH560	5.0	17,065	208 240 347 480 600	1* 1* 1 3 3	6 (1828)	8 (2486)	18 (5486)	13 (333)***	30 (13.60)
UH720 UH724 UH727 UH734 UH748 UH760	7.5	25,598	208 240 277 347 480 600	1* 1* 1 1 3** 3	6 (1828)	8 (2436)	20 (6096)	13 (333)***	30 (13.60)
UH1020 UH1024 UH1027 UH1034 UH1048 UH1060	10.0	34,130	208 240 277 347 480 600	1* 1* 1 1 3** 3	6 (1828)	9 (2743)	20 (6096)	13 (333)	72 (32.66)
UH1520 UH1524 UH1527 UH1534 UH1548 UH1560	15.0	51,195	208 240 277 347 480 600	3** 3** 1 1 3** 3	6 (1828)	10 (3048)	28 (8534)	13 (333)	78 (35.38)
UH2034 UH2048 UH2060	20.0	68,260	347 480 600	1 3** 3	6 (1828)	11 (3352)	32 (9753)	16 (406)	78 (35.38)
UH2548 UH2560	25.0	85,325	480 600	3 3	6 (1828)	15 (4572)	34 (10360)	20 (508)	136 (61.69)
UH3048 UH3060	30.0	102,390	480 600	3 3	6 (1828)	15 (4572)	38 (11582)	20 (508)	142 (64.40)

\* Factory wired for 1 Phase - Field convertible to 3 Phase.

\*\* Factory wired for 3 Phase - Field convertible to 1 Phase.

\*\*\* 48 in. (1219) for 45 deg. to vertical downward.



**Automatic Fan Delay:** All models incorporate an automatic fan delay. When the thermostat calls for heat, fan action is delayed momentarily until the heating element is warm. When the thermostat is satisfied, the fan continues to operate until the heating element is cool. This action prevents circulation of cold air, and avoids exposing unit to residual heat, thus providing higher comfort level and prolonged element life.

**Optional Controls and Accessories:** The following controls and accessories are available from your electrical distributor.

Dim. inches (mm)	Heater Size		
	5 - 7.5 KW	10 - 20 KW	25 - 30 KW
A	14 (354)	18 (457)	26 (660)
B	12 <sup>1</sup> / <sub>2</sub> (317)	18 (457)	24 (609)
C	12 <sup>1</sup> / <sub>2</sub> (317)	17 <sup>1</sup> / <sub>2</sub> (444)	23 <sup>1</sup> / <sub>8</sub> (587)
D	5 <sup>1</sup> / <sub>2</sub> (139)	9 <sup>15</sup> / <sub>32</sub> (240)	9 <sup>15</sup> / <sub>32</sub> (240)
E	13 (330)	#	20 (508)
F	1 <sup>3</sup> / <sub>4</sub> (44)	2 (51)	2 (51)
G	1 <sup>3</sup> / <sub>8</sub> (35)	2 <sup>1</sup> / <sub>2</sub> (63)	2 <sup>3</sup> / <sub>4</sub> (70)
H	1 <sup>1</sup> / <sub>2</sub> (38)	2 <sup>1</sup> / <sub>4</sub> (57)	2 <sup>1</sup> / <sub>4</sub> (57)
J	1/2 (12.7) 3/4 (19.7)	3/4 (19.1) 1 (25.4)	1 (25.4) 1 <sup>1</sup> / <sub>2</sub> (38)
K	1/2 (12.7)	1 (25.4) 1 <sup>1</sup> / <sub>4</sub> (32) 1 <sup>1</sup> / <sub>2</sub> (38)	1 (25.4) 1 <sup>1</sup> / <sub>2</sub> (38) 2 (50.8)
Wiring Compartment Volume	60 in <sup>3</sup> (968 cm <sup>3</sup> )	105 in <sup>3</sup> (1720 cm <sup>3</sup> )	288 in <sup>3</sup> (4720 cm <sup>3</sup> )

# 13" (330 cm) for 10KW, 12.5KW, and 15KW; 16" (40.5 cm) for 20KW heaters

Catalog Number	Description
CWB-1	Combination wall brackets for 2.5 kw thru 15 kw units.
CWB-2	Same as above but for 20 kw thru 50 kw units
TA-1	Single pole thermostat kit 60 to 120° F temp. range for field installation in all units.
DS-30	3-pole power disconnect switch kit for field installation on unit heaters rated 30 amps or less.
DS-63	3-pole power disconnect switch kit for field installation on unit heaters 10kw and above rated at 30 to 63 amps.

**Thermal Safety Cutout:** Each unit heater is equipped with one or more thermal safety cutouts which will automatically shut off the heater in the event of overheating, and will activate the heater when the operating temperature returns to normal. If the thermal safety cutout cycles due to overheating, the cause should be determined before further operation.

### LOCATION OF HEATERS

Refer to min. and max. mounting heights and clearances in Specifications table. Mounting heaters too high will require setting the louvers sharply downward to direct warm air toward the floor, thereby decreasing the distance of the air throw. Heaters should be arranged so that the discharge air stream will not be restricted by columns, machinery, etc. Heaters should be installed out of the reach of persons. Heaters may be rotated and louvers adjusted to obtain the desired direction and distance of warm air discharge. Where a remote thermostat is used, it should be located on an inside wall or post, out of the direct rays of the sun and internal heating sources, and away from cold drafts. The number and capacity of heaters required should be determined by the heat loss of the structure. Small areas can be heated by one unit heater. Larger areas require multiple units. Where multiple units are required, the air discharge of each heater should support the air flow of the others to provide perimeter rotational circulation of warm air. (See Figure 1).

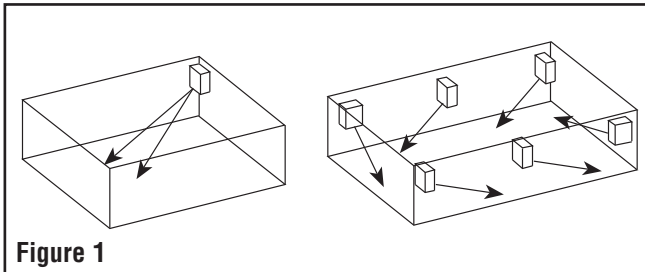


Figure 1

### MOUNTING THE HEATER

**10kw thru 30kw:** A 1/2"-13NC threaded mounting hole is provided in the top of the heater for securing the heater to an optional mounting bracket, or other mounting structure having a minimum of 10" (254mm) clearance from the ceiling. Combination wall/ceiling, wall, and ceiling mounting kits are available from your electrical distributor. They are designed to mount the heaters on wall or ceiling, provide adequate support, insure proper clearance from walls, and permit rotation of the heater. Installation instructions are included in the kits. If one of the mounting kits is not used, the installer must provide suitable means of mounting heaters securely, allowing adequate clearance from adjacent walls and ceiling as indicated in the specifications chart.

**5kw & 7.5 kw:** In addition to the 1/2"-13 NC threaded mounting hole, the 5 kw & 7.5 kw heaters are supplied with a hanger bracket. The bracket may now be mounted for horizontal air discharge in the double keyhole slot which will space the top of the heater 1-7/8 inch (47 cm) from the ceiling (Figure 2), or it can be attached in the single keyhole slot for horizontal or vertical mounting.

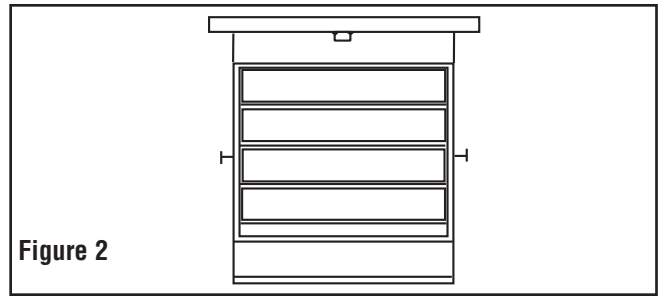


Figure 2

### INTERNAL WIRING

1. Heaters drawing 48 amps or more have internal subdivided branch circuit fusing.

**NOTE: A properly fused disconnect switch or suitable circuit breakers must be installed between the heater connections and power supply.**

⚠ **WARNING** ⚠

Before proceeding further with the installation of the heater, turn off the power to the supply line for the heater at the main service box.

2. All wiring connections are made inside the control box at the bottom of the heater. To open control box, loosen screws holden the hinged cover at front (if cover is slotted) or remove screw(s) (if cover is unslotted) and open cover (Figure 3).

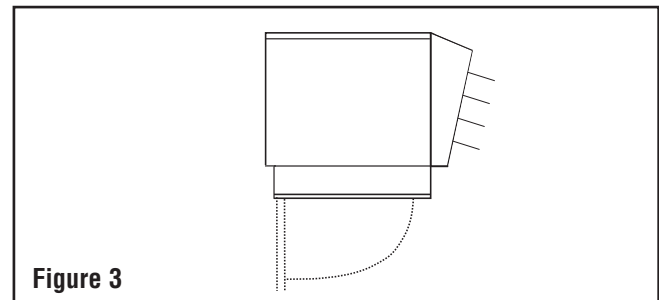


Figure 3

3. Knockouts and terminal blocks are provided for power supply connection, and connections for heater controls.

### EXTERNAL WIRING

1. Supply wire size should be selected in accordance with the electrical rating shown on the heater data plate and/or wiring diagram (located on inside of control box cover), and must be suitable for 75° C.
2. Connect conduit to appropriate knockout on control box panel. If rigid conduit is used, connect to heater with sufficient length of flexible conduit so heater can be rotated as desired.
3. Connect supply leads to the heater terminals and connect any required jumpers as shown on the wiring diagram.
4. After all connection are completed, close and secure control box cover.

## MAINTENANCE INSTRUCTIONS

In order to maintain the efficiency of the unit heat, it should be inspected periodically and any dirt that may have accumulated should be removed from the heating element, fan blades and motor using a soft brush or a vacuum cleaner.

**5 kw & 7.5 kw Heaters:** The heating element is accessible by removing the louvered bezel, front section of the heater. Loosen, but do not remove, 4 recessed head screws located to the rear of louvers (Figure 4). Grasp bezel on both sides, lift up and pull out, disengaging bezel. After servicing the unit, reverse this procedure to replace bezel.

To service the motor, remove the rear wire safety grille (Figure 5).

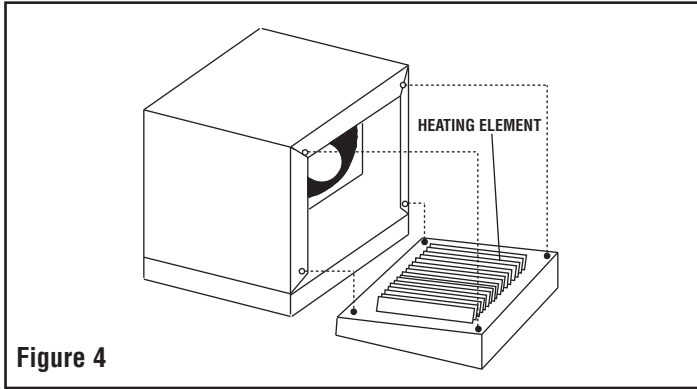


Figure 4

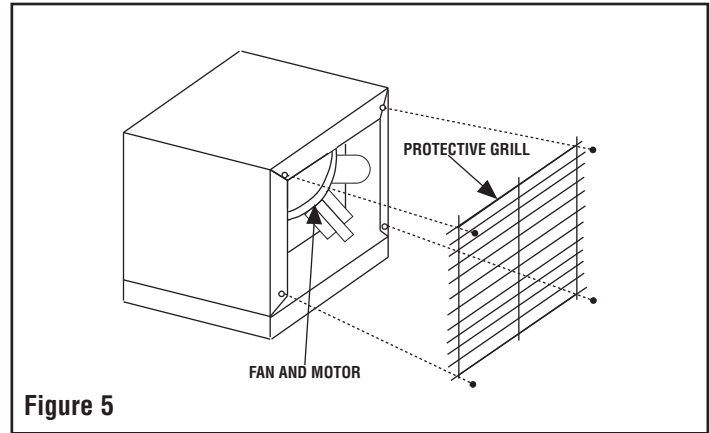


Figure 5

**10 kw through 30 kw Heaters:** The heating element surface and fan motor area are accessible by removing the left or right side panel of heater. To do this, open the hinged control box cover, and then remove the two screws that hold the bottom of the side panel. Lift out that end of the side panel and then pull down for removal. After servicing the unit, reverse the unit, reverse this procedure to replace the side panel.

**NOTE:** When a new heater is first energized, a light smoking may be noticeable. This is caused by burning off any residue oil left on the heating element during manufacturing. This condition will disappear in a few minutes after heater is put into operation.

## LIMITED WARRANTY

All products manufactured by Marley Engineered Products are warranted against defects in workmanship and materials for one year from date of installation, except heating elements which are warranted against defects in workmanship and materials for ten years from date of installation. This warranty does not apply to damage from accident, misuse, or alteration; nor where the connected voltage is more than 5% above the nameplate voltage; nor to equipment improperly installed or wired or maintained in violation of the product's installation instructions. All claims for warranty work must be accompanied by proof of the date of installation.

The customer shall be responsible for all costs incurred in the removal or reinstallation of products, including labor costs, and shipping costs incurred to return products to Marley Engineered Products Service Center. Within the limitations of this warranty, inoperative units should be returned to the nearest Marley authorized service center or the Marley Engineered Products Service Center, and we will repair or replace, at our option, at no charge to you with return freight paid by Marley. It is agreed that such repair or replacement is the exclusive remedy available from Marley Engineered Products.

THE ABOVE WARRANTIES ARE IN LIEU OF ALL OTHER WARRANTIES EXPRESSED OR IMPLIED. AND ALL IMPLIED WARRANTIES OF MERCHANTABILITY AND FITNESS FOR A PARTICULAR PURPOSE WHICH EXCEED THE AFORESAID EXPRESSED WARRANTIES ARE HEREBY DISCLAIMED AND EXCLUDED FROM THIS AGREEMENT. MARLEY ENGINEERED PRODUCTS SHALL NOT BE LIABLE FOR CONSEQUENTIAL DAMAGES ARISING WITH RESPECT TO THE PRODUCT, WHETHER BASED UPON NEGLIGENCE, TORT, STRICT LIABILITY, OR CONTRACT.

Some states do not allow the exclusion or limitation of incidental or consequential damages, so the above exclusion or limitation may not apply to you. This warranty gives you specific legal rights, and you may also have other rights which vary from state to state.

For the address of your nearest authorized service center, contact Marley Engineered Products in Bennettsville, SC, at 1-800-642-4328. Merchandise returned to the factory must be accompanied by a return authorization and service identification tag, both available from Marley Engineered Products. When requesting return authorization, include all catalog numbers shown on the products.

### HOW TO OBTAIN WARRANTY SERVICE AND WARRANTY PARTS PLUS GENERAL INFORMATION

1. Warranty Service or Parts **1-800-642-4328**
2. Purchase Replacement Parts **1-800-654-3545**
3. General Product Information **www.marlymep.com**

**Note:** When obtaining service always have the following:

1. Model number of the product
2. Date of manufacture
3. Part number or description



**Marley**  
Engineered Products

470 Beauty Spot Rd. East  
Bennettsville, SC 29512 USA

ECR 38180

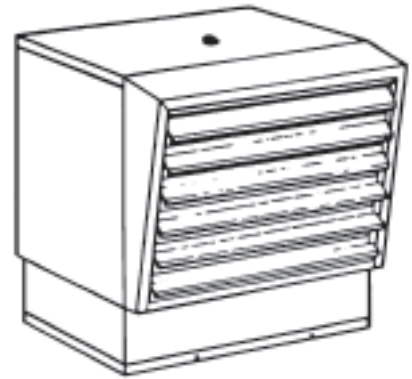
03/09

Part No. 5200-2237-003



# Marley

Engineered Products



## UNIDAD DE CALENTADORES SERIE UH 5KW a 30KW



EXPEDIENTE NO. E21609

### *Instrucciones de Instalación y Mantenimiento*

*Estimado propietario,*

*¡Felicitaciones! Gracias por comprar este nuevo calentador fabricado por una división de Marley Engineered Products. Usted ha efectuado una sabia inversión al seleccionar el producto de la más alta calidad en la industria de calefacción. Por favor lea cuidadosamente las instrucciones de instalación y mantenimiento indicadas en este manual. Usted debería gozar de años de calefacción eficiente con este producto de Marley Engineered Products...el líder de la industria en diseño, fabricación, calidad y servicio.*

*... Los empleados de  
Marley Engineered Products*



### ADVERTENCIA



**Lea cuidadosamente** - Esta Hoja de Instrucciones contiene información vital para la instalación apropiada, uso y operación eficiente del calentador. Lea cuidadosamente el manual antes de instalar, operar o limpiar el calentador. En caso de no seguir las instrucciones puede ocasionarse un incendio, descarga eléctrica, muerte, lesiones personales serias o daños a la propiedad. Guarde estas instrucciones y revíselas frecuentemente para una operación segura continua y para que los futuros usuarios las puedan seguir.

1. Para evitar una posible descarga eléctrica, desconecte la potencia eléctrica que llegue al calentador en el panel de servicio principal antes de cablear o dar servicio.
2. Todo el cableado debe estar en conformidad con el Código Eléctrico Nacional (Código Eléctrico Canadiense en Canadá) y con todos los códigos locales aplicables. El calentador debe estar aterrizado como precaución contra las descargas eléctricas. El cableado de suministro debe ser de cobre y adecuado por lo menos para 75° C.
3. Verifique que el suministro de potencia y los voltajes de control que llegan al calentador correspondan con los valores nominales impresos en la placa del calentador antes de encender.

4. Este calentador NO es adecuado para usarse en ubicaciones peligrosas como las describe la Asociación Nacional de Protección Ante Incendios (NFPA), este calentador tiene partes calientes, con arcos voltaicos y chispas adentro. NO lo utilice en áreas donde se use o almacene gasolina, pintura o algún otro líquido flamable.
5. El calentador debe instalarse de tal manera que se mantengan las tolerancias mínimas indicadas en las Especificaciones.
6. El flujo de aire del calentador DEBE dirigirse paralelo a las paredes adyacentes o lejos de ellas.
7. La estructura de montaje y los herrajes para anclarlo DEBEN soportar confiablemente el peso del calentador, además del soporte de montaje, si se usa. Consulte el peso del calentador en la tabla de especificaciones.
8. Para evitar un posible incendio, NO bloquee de manera alguna las entradas de aire o las aberturas de salida. NO permita que entren objetos extraños por las aberturas de la rejilla, ya que esto puede provocar descargas eléctricas, incendio o puede dañar al calentador.

**GUARDE ESTAS INSTRUCCIONES**

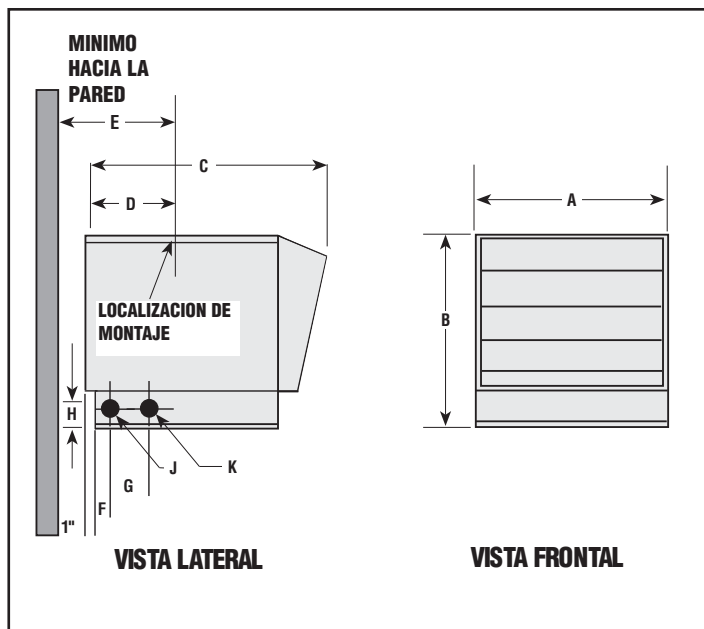
## Especificaciones

Modelo no.	Potencia (KW)	Btu/Hr.	Voltaje del Calentador	Fases del cableado	Altura de montaje ft. (mm)		Descarga de Aire ft. (mm)	Centro del calentador hacia la pared pulgadas (mm)	Peso de embarque lb. (kg)
					Min.	Max.			
UH520 UH524 UH534 UH548 UH560	5.0	17,065	208 240 347 480 600	1* 1* 1 3 3	6 (1828)	8 (2486)	18 (5486)	13 (333)***	30 (13.60)
UH720 UH724 UH727 UH734 UH748 UH760	7.5	25,598	208 240 277 347 480 600	1* 1* 1 1 3** 3	6 (1828)	8 (2436)	20 (6096)	13 (333)***	30 (13.60)
UH1020 UH1024 UH1027 UH1034 UH1048 UH1060	10.0	34,130	208 240 277 347 480 600	1* 1* 1 1 3** 3	6 (1828)	9 (2743)	20 (6096)	13 (333)	72 (32.66)
UH1520 UH1524 UH1527 UH1534 UH1548 UH1560	15.0	51,195	208 240 277 347 480 600	3** 3** 1 1 3** 3	6 (1828)	10 (3048)	28 (8534)	13 (333)	78 (35.38)
UH2034 UH2048 UH2060	20.0	68,260	347 480 600	1 3** 3	6 (1828)	11 (3352)	32 (9753)	16 (406)	78 (35.38)
UH2548 UH2560	25.0	85,325	480 600	3 3	6 (1828)	15 (4572)	34 (10360)	20 (508)	136 (61.69)
UH3048 UH3060	30.0	102,390	480 600	3 3	6 (1828)	15 (4572)	38 (11582)	20 (508)	142 (64.40)

\* Cableado en fábrica para 1 fases - Convertible en el campo para 3 fase.

\*\* Cableado en fábrica para 3 fases - Convertible en el campo para 1 fase.

\*\*\* 48 pulg. (1219) para un ángulo de 45 grados respecto a la vertical.



### INFORMACION GENERAL

**Retraso automático del ventilador:** Todos los modelos incorporan un retraso automático del ventilador. Cuando el termostato pide calor, la acción del ventilador se retrasa momentáneamente hasta que el elemento calefactor está caliente. Cuando el termostato queda satisfecho, el ventilador continúa operando hasta que se enfría el elemento calefactor. Esta medida evita la circulación del aire frío, y evita que la unidad se exponga al calor residual, por lo que se suministra un mayor nivel de comodidad y una mayor vida del elemento.

**Controles y accesorios opcionales:** Se tienen disponibles los siguientes controles y accesorios con su distribuidor eléctrico.

Dimensiones pulg. (mm)	Tamaño del calentador		
	5 - 7.5 KW	10 - 20 KW	25 - 30 KW
A	14 (354)	18 (457)	26 (660)
B	12 <sup>1</sup> / <sub>2</sub> (317)	18 (457)	24 (609)
C	12 <sup>1</sup> / <sub>2</sub> (317)	17 <sup>1</sup> / <sub>2</sub> (444)	23 <sup>1</sup> / <sub>8</sub> (587)
D	5 <sup>1</sup> / <sub>2</sub> (139)	9 <sup>15</sup> / <sub>32</sub> (240)	9 <sup>15</sup> / <sub>32</sub> (240)
E	13 (330)	#	20 (508)
F	1 <sup>3</sup> / <sub>4</sub> (44)	2 (51)	2 (51)
G	1 <sup>3</sup> / <sub>8</sub> (35)	2 <sup>1</sup> / <sub>2</sub> (63)	2 <sup>3</sup> / <sub>4</sub> (70)
H	1 <sup>1</sup> / <sub>2</sub> (38)	2 <sup>1</sup> / <sub>4</sub> (57)	2 <sup>1</sup> / <sub>4</sub> (57)
J	1/2 (12.7) 3/4 (19.7)	3/4 (19.1) 1 (25.4)	1 (25.4) 1 <sup>1</sup> / <sub>2</sub> (38)
K	1/2 (12.7)	1 (25.4) 1 <sup>1</sup> / <sub>4</sub> (32) 1 <sup>1</sup> / <sub>2</sub> (38)	1 (25.4) 1 <sup>1</sup> / <sub>2</sub> (38) 2 (50.8)
Compartimiento del cableado	60 in <sup>3</sup> (968 cm <sup>3</sup> )	105 in <sup>3</sup> (1720 cm <sup>3</sup> )	288 in <sup>3</sup> (4720 cm <sup>3</sup> )

# 13" (330 cm) para 10KW, 12.5KW, y 15KW;

16" (40,5 cm) para los calentadores 20KW

Número de catálogo	Descripción
CWB-1	Combinación de soportes de pared para unidades de 2.5 kw a 15 kw.
CWB-2	Igual que la anterior, pero para unidades de 20 kw a 50 kw.
TA-1	Kit de termostato de polo sencillo con temperatura de 60° a 120°F, rango para instalación de campo en todas las unidades.
DS-30	Kit de interruptor de desconexión de potencia de 3 polos para instalación de campo en calentadores con 30 amp nominales o menos
DS-63	Kit de interruptor de desconexión de potencia de 3 polos para instalación de campo en calentadores de 10 kw y superiores con 30 a 63 amp nominales.

**Cortacircuito de seguridad térmica:** Cada calentador está equipado con uno o más cortacircuitos de seguridad térmica que apagarán automáticamente el calentador en caso de sobrecalentamiento, y activarán el calentador cuando la temperatura de operación regrese a la normalidad. Si el cortacircuito de seguridad térmica se cicla debido al sobrecalentamiento, debe determinarse la causa antes de seguirlo operando.

#### UBICACION DE CALENTADORES

Consulte las alturas y tolerancias mínima, máxima y de montaje en la tabla de especificaciones. Si se montan los calentadores demasiado alto se requerirá ajustar la persiana bruscamente hacia abajo para dirigir el calor hacia el piso, lo que reduce la distancia de la descarga de aire. Los calentadores deben acomodarse de tal manera que el flujo de aire de descarga no esté restringido por columnas, maquinaria, etc. Los calentadores deben instalarse lejos del alcance de las personas.

Se deben girar los calentadores y ajustar las persianas para obtener la dirección y distancia deseadas de la descarga de aire caliente.

Cuando se use un termostato remoto, debe ubicarse en una pared o poste interior, lejos de la luz directa del sol y de fuentes de calor interno, y lejos de las corrientes de aire frío. El número y capacidad de calentadores necesarios se debe determinar por la pérdida de calor de la estructura. Las áreas pequeñas se pueden calentar solamente con una unidad. Las áreas más grandes requieren varias unidades. Donde se requieran varias unidades, la descarga de aire de cada calentador debe soportar el flujo de aire de los demás para ofrecer una circulación giratoria perimetral del aire caliente (ver figura 1).

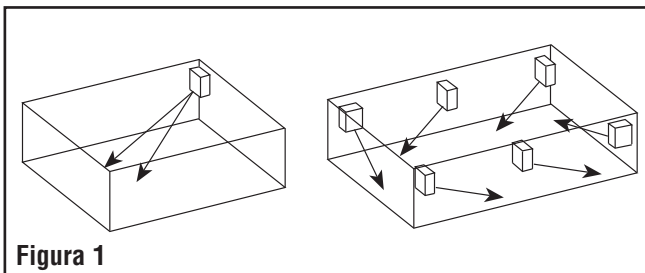


Figura 1

#### MONTAJE DEL CALENTADOR

**10kw a 30kw:** En la parte superior del calentador se incluye un agujero de montaje roscado de 1/2" - 13 NC para asegurar el calentador a un soporte de montaje opcional, o alguna otra estructura de montaje que tenga un espacio mínimo de 10" (254 mm) del cieloraso. Su distribuidor eléctrico tiene disponibles kits de montaje para pared, cieloraso, y combinación de pared/cieloraso. Están diseñados para montar los calentadores en la pared o cieloraso, para ofrecer un soporte adecuado, asegurar la holgura adecuada de las paredes y permitir la rotación del calentador. Las instrucciones de instalación se incluyen en los kits. Si no se usa uno de los kits de montaje, el instalador debe ofrecer un medio adecuado para montar los calentadores firmemente, con una separación adecuada de las paredes y cieloraso, tal como se indica en la hoja de especificaciones.

**5kw y 7.5 kw:** Además del agujero de montaje roscado de 1/2" - 13NC, los calentadores de 5 kw y 7.5 kw incluyen un soporte para colgarlos. El soporte se puede montar para una descarga de aire horizontal en la ranura de agujero doble que separa 1-7/8 pulg. (47 cm) la parte superior del calentador del techo (figura 2), o puede fijarse en la ranura de un solo agujero para montaje horizontal o vertical.

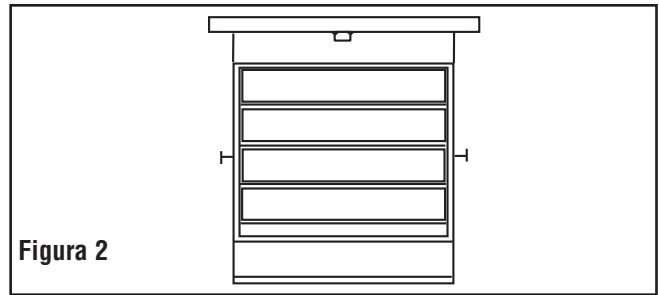


Figura 2

#### CABLEADO INTERNO

1. Los calentadores que toman 48 amp o más, tienen fusibles de derivación subdivididos internamente.

**NOTA:** Se debe instalar un interruptor de desconexión con fusible o interruptores de circuitos apropiados entre las conexiones del calentador y la fuente de potencia.

2. Todas las conexiones se realizan dentro de la caja de control



#### ADVERTENCIA



Antes de proceder con la instalación del calentador, corte la potencia eléctrica que va a la línea de alimentación del calentador, en la caja principal de servicio.

control en la parte inferior del calentador. Para abrir la caja de control afloje los tornillos que sostienen la cubierta con bisagras al frente (si la cubierta está ranurada) o retire el (los) tornillo(s) (si la cubierta no está ranurada) y abra la cubierta (figura 3).

3. Se incluyen agujeros ciegos y bloques de terminales para conectar la fuente de potencia, y conexiones para los controles del calentador.

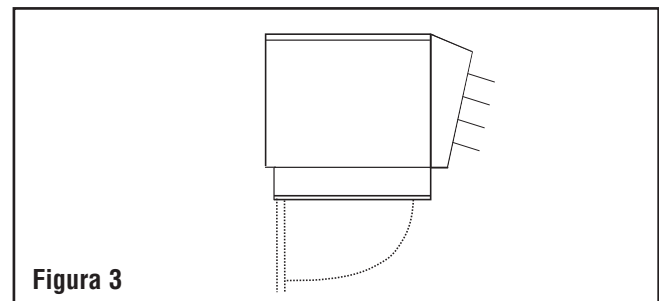


Figura 3

#### CABLEADO EXTERNO

1. Se debe seleccionar el calibre del cable de alimentación en conformidad con la clasificación eléctrica mostrada en la placa de identificación del calentador y/o diagrama de cableado (localizado en la parte interior de la cubierta de la caja de control), y debe ser adecuado para 75°C.
2. Conecte el conduit al agujero ciego apropiado en el panel de la caja de control, si se usa un conduit rígido, conecte al calentador con suficiente longitud de conduit flexible para que el calentador se pueda girar como se desea.
3. Conecte los cables de alimentación a las terminales del calentador y conecte cualquier puente requerido, como se muestra en el diagrama de cableado.
4. Después de terminar con todas las conexiones, cierre y asegure la cubierta de la caja de control.

## INSTRUCCIONES DE MANTENIMIENTO

Con el fin de mantener la eficiencia del calor de la unidad, debe inspeccionarse periódicamente, y se debe retirar con un cepillo suave o con una aspiradora cualquier suciedad que pueda haberse acumulado en el elemento calefactor, aspas del ventilador y motor.

**Calentadores de 5 kw y 7.5 kw :** Puede alcanzarse el elemento calefactor retirando el bisel con la persiana, en la sección frontal del calentador. Afloje, pero sin quitar, los 4 tornillos de cabeza hundida localizados en la parte posterior de las persianas. (Figura 4) Agarre el bisel por ambos lados, levántelo y jale, desenganchando el bisel. Después de dar servicio a la unidad, invierta este procedimiento para reemplazar el bisel.

Para dar servicio al motor, retire la rejilla de seguridad de alambre (figura 5).

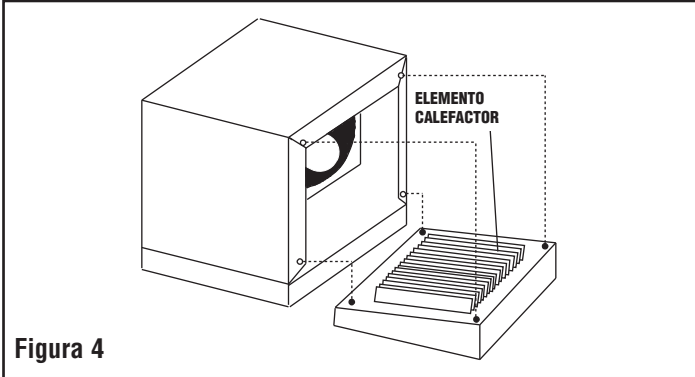


Figura 4

**Calentadores de 10 kw a 30 kw:** Se tiene acceso a la superficie del elemento calefactor y al área del motor y ventilador retirando

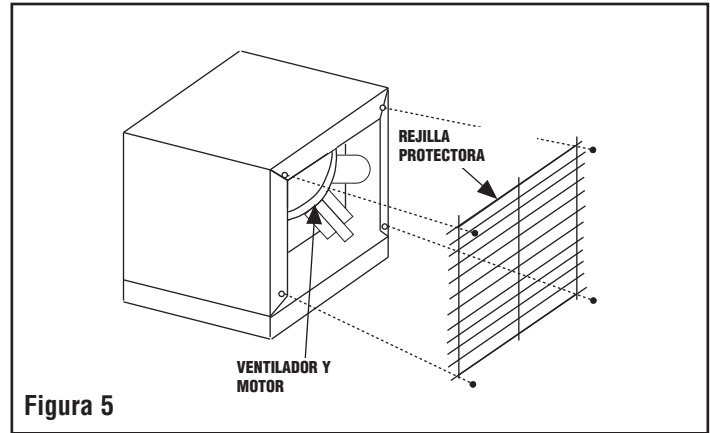


Figura 5

el lado izquierdo o derecho del panel del calentador. Para lograrlo, abra la cubierta de la caja de control con bisagras, y retire los dos tornillos que sostienen la parte inferior del panel lateral. Levante ese extremo del panel lateral y luego jale para quitarlo. Después de dar servicio a la unidad, invierta la unidad, e invierta este procedimiento para reemplazar el panel lateral.

**NOTA:** Cuando se enciende un calentador nuevo por primera vez, puede que se observe un poco de humo. Esto es a causa de cualquier residuo de aceite que quedó en el elemento calefactor durante la manufactura. Esta condición desaparecerá en unos minutos después de poner en operación el calentador.

## GARANTIA LIMITADA

Todos los productos fabricados por Marley Engineered Products están garantizados contra defectos de mano de obra y materiales durante un año a partir de la fecha de instalación, excepto los elementos calefactores que están garantizados contra defectos de mano de obra y materiales por diez años a partir de la fecha de instalación. Esta garantía no se aplica por daños ocurridos por accidente, mal uso, o alteración, ni cuando el voltaje conectado sea 5% mayor que el indicado en la placa de nombre; ni al equipo instalado o cableado indebidamente, o mantenido en violación de las instrucciones de instalación del producto. Todos los reclamos de trabajo de garantía deben estar acompañados por prueba de la fecha de instalación.

El cliente será responsable por todos los costos incurridos en la extracción o reinstalación de los productos, incluyendo costos de mano de obra, y costos de transporte incurridos al retornar los productos a Marley Engineered Products Service Center y nosotros las repararemos o reemplazaremos, a nuestra opción, sin cargo para usted, con transporte de regreso pagado por Marley. Se acuerda mutuamente que tal reparación o reemplazo es el remedio exclusivo disponible de Marley Engineered Products.

LAS GARANTIAS INDICADAS ARRIBA SON A CAMBIO DE CUALQUIER OTRA GARANTIA EXPRESA O IMPLICITA Y SE DESCONOCEN Y EXCLUYEN DE ESTE ACUERDO TODAS LAS GARANTIAS IMPLICITAS DE COMERCIALIZACION Y APTITUD PARA UN FIN PARTICULAR QUE EXCEDAN LAS GARANTIAS PREVIAMENTE EXPRESADAS. MARLEY ENGINEERED PRODUCTS NO SERA RESPONSABLE POR DAÑOS CONSECUENTES ORIGINADOS POR EL PRODUCTO, YA SEAN QUE ESTEN BASADOS EN NEGLIGENCIA, LITIGACION, RESPONSABILIDAD ESTRICTA O CONTRATO.

Algunos estados no permiten la exclusión o limitación de los daños incidentales o consecuentes, de manera que la exclusión o limitación indicada arriba puede no aplicarse a usted. Esta garantía le otorga derechos legales específicos, y usted puede tener también otros derechos que varían de estado a estado.

Para la dirección de su centro autorizado de servicio más cercano, llame a Marley Engineered Products, Bennettsville, SC 29512 EE.UU., al 1-800-642-4328, La mercadería retornada a la fábrica debe estar acompañada por una autorización de retorno y una etiqueta de identificación de servicio, ambas disponibles de Marley Engineered Products. Incluya todos los números de catálogo mostrados en el producto, al requerir autorización de retorno.

### COMO OBTENER SERVICIO EN GARANTIA, PIEZAS DE REPUESTO E INFORMACION GENERAL

1. Servicio o repuestos, en garantía: **1-800-642-4328**
2. Compra de piezas de repuesto: **1-800-654-3545**
3. Información general sobre productos: **www.marleymep.com**

**Nota:** Cuando solicite servicio, siempre dé la información que sigue:

1. Número de modelo del producto
2. Fecha de fabricación
3. Número de parte o descripción



**Marley**  
Engineered Products

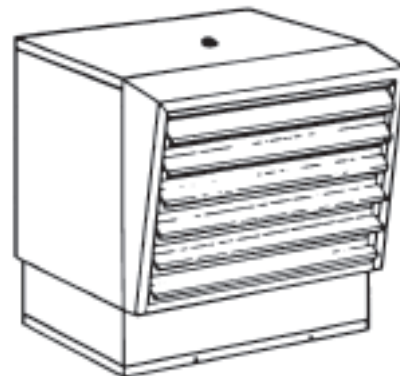
470 Beauty Spot Rd. East  
Bennettsville, SC 29512 USA





# Marley

Engineered Products



## APPAREILS DE CHAUFFAGE DE SÉRIE UH

De 5 KW à 30 KW



Homologué U.L. et C-UL  
Dossier E21609

### Notice d'installation et d'entretien

*Cher utilisateur,*

*Félicitations ! Nous vous remercions d'avoir fait l'acquisition de ce nouveau radiateur fabriqué par une division de Marley Engineered Products. Vous avez fait un bon investissement en choisissant un appareil de qualité imbattable. Veuillez lire attentivement et suivre scrupuleusement les consignes de ce manuel concernant l'installation et l'entretien. Nous sommes sûrs que vous bénéficierez de nombreuses années de confort grâce à cet appareil de chauffage efficace de Marley Engineered Products... le numéro 1 du secteur du chauffage en matière de conception, fabrication, qualité et service.*

*... Les employés de  
Marley Engineered Products*



#### AVERTISSEMENT



**À lire avec soin :** cette fiche d'instructions contient des informations vitales pour une installation, une utilisation et un fonctionnement corrects de l'appareil de chauffage. Veiller à bien lire le manuel avant de procéder à l'installation, à la mise en service ou au nettoyage de l'appareil de chauffage. Le fait de ne pas suivre ces instructions précisément peut provoquer un incendie, une électrocution, la mort, des blessures sérieuses ou des dommages matériels. Conserver ces instructions et s'y référer fréquemment afin d'assurer un fonctionnement de l'appareil permanent en toute sécurité et de pouvoir former les utilisateurs futurs.

1. Pour empêcher tout risque d'électrocution, déconnecter toute alimentation provenant de l'appareil de chauffage au niveau du panneau de service principal avant de procéder au câblage ou à l'entretien.
2. Tout le câblage doit être conforme au code électrique national (Code électrique canadien au Canada) et à tous les codes locaux. L'appareil de chauffage doit être mis à la terre afin d'empêcher tout risque d'électrocution. Le câblage d'alimentation doit être en cuivre et prévu pour supporter au moins 75 °C.
3. Vérifier que l'alimentation et les tensions de commande provenant de l'appareil de chauffage correspondent aux normes imprimées sur la plaque signalétique de l'appareil avant de mettre celui-ci sous tension.
4. Cet appareil de chauffage NE doit PAS être utilisé dans des endroits dangereux comme indiqué par l'Association nationale de protection contre l'incendie (NFPA). Cet appareil contient à l'intérieur des pièces chaudes, sous tension ou émettant des étincelles. NE PAS l'utiliser dans des endroits où de l'essence, de la peinture ou autres liquides inflammables sont utilisés ou entreposés.
5. L'appareil de chauffage doit être installé de manière à respecter les distances de dégagement minimum indiquées dans le tableau des caractéristiques.
6. Le débit d'air de l'appareil DOIT être dirigé parallèlement ou à l'opposée des murs adjacents.
7. La structure de montage et le matériel d'encastrement DOIVENT ÊTRE capable de soutenir convenablement le poids de l'appareil de chauffage et de son support de montage si celui-ci est utilisé. Se reporter au tableau des caractéristiques pour vérifier le poids de l'appareil.
8. Afin d'éviter tout risque d'incendie, NE PAS bloquer les admissions d'air ou les ouvertures d'évacuation d'air de quelque manière que ce soit. NE PAS introduire d'objets étrangers dans les ouvertures de grille car cela peut provoquer une électrocution, un incendie ou endommager l'appareil de chauffage.

**CONSERVER CETTE NOTICE**

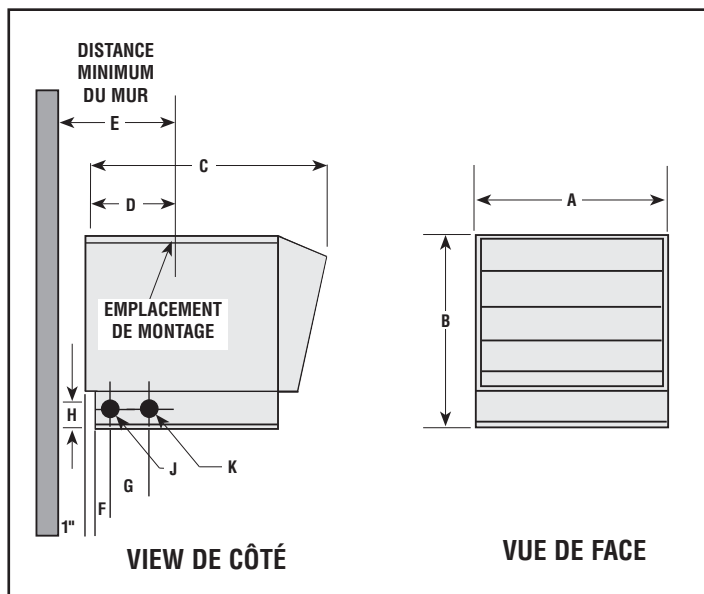
## Caractéristiques

N° de Modèle	Puissance (kW)	Btu/H	Tension de l'appareil	Phase de câblage	Hauteur de montage mm (pied)		Jet d'air mm (pied)	Distance Min. du centre supérieur de l'appareil de chauffage au mur mm (po)	Poids à l'expédition kg (lbs)
					Min.	Max.			
UH520 UH524 UH534 UH548 UH560	5.0	17,065	208 240 347 480 600	1* 1* 1 3 3	1828 (6)	2436 (8)	5486 (18)	333 (13)***	(30) 13,60
UH720 UH724 UH727 UH734 UH748 UH760	7.5	25,598	208 240 277 347 480 600	1* 1* 1 1 3** 3	1828 (6)	2436 (8)	6096 (20)	333 (13)***	(30) 13,60
UH1020 UH1024 UH1027 UH1034 UH1048 UH1060	10.0	34,130	208 240 277 347 480 600	1* 1* 1 1 3** 3	1828 (6)	2743 (9)	6096 (20)	333 (13)	(72) 32,66
UH1520 UH1524 UH1527 UH1534 UH1548 UH1560	15.0	51,195	208 240 277 347 480 600	3** 3** 1 1 3** 3	1828 (6)	3048 (10)	8534 (28)	333 (13)	(78) 35,38
UH2034 UH2048 UH2060	20.0	68,260	347 480 600	1 3** 3	1828 (6)	3352 (11)	9753 (32)	406 (16)	(78) 35,38
UH2548 UH2560	25.0	85,325	480 600	3 3	1828 (6)	4572 (15)	10360 (34)	508 (20)	(136) 61,69
UH3048 UH3060	30.0	102,390	480 600	3 3	1828 (6)	4572 (15)	11582 (38)	508 (20)	(142) 64,40

\* Câblé en usine pour 1 phases - Convertible sur place en 3 phase.

\*\* Câblé en usine pour 3 phases - Convertible sur place en 1 phase.

\*\*\* 1219 mm (48 pouces) pour un angle de 45 degrés à la verticale vers le bas.



### INFORMATIONS GÉNÉRALES

**Temporisation de automatique du ventilateur :** Tous les modèles comportent une temporisation automatique de ventilateur. Quand le thermostat demande de la chaleur, l'action du ventilateur est momentanément retardée jusqu'à ce que les éléments de chauffage se réchauffent. Lorsque le thermostat est à la bonne température, le ventilateur continue de fonctionner jusqu'à que l'élément chauffant se soit refroidi. Cette action empêche la circulation d'air froid et l'exposition de l'appareil à la chaleur résiduelle ce qui procure un niveau de confort supérieur et prolonge la durée de vie de l'élément.

**Accessoires et commandes en option :** Les commandes et accessoires suivants sont disponibles auprès du distributeur d'appareils électriques.

Dim. mm (po)	Dimension de l'appareil de chauffage		
	5 - 7.5 kW	10- 20 kW	25 - 30 kW
A	354 (14)	457 (18)	660 (26)
B	317 (12 1/2)	457 (18)	609 (24)
C	317 (12 1/2)	444 (17 1/2)	587 (23 1/8)
D	139 (5 1/2)	240 (9 15/32)	240 (9 15/32)
E	330 (13)	#	508 (20)
F	44 (1 3/4)	51 (2)	51 (2)
G	35 (1 3/8)	63 (2 1/2)	70 (2 3/4)
H	38 (1 1/2)	57 (2 1/4)	57 (2 1/4)
J	12,7 (1/2) 19,7 (3/4)	19,1 (3/4) 25,4 (1)	25,4 (1) 38 (1 1/2)
K	12,7 (1/2)	25,4 (1) 32 (1 1/4) 38 (1 1/2)	25,4 (1) 38 (1 1/2) 50,8 (2)
<b>Volume du compartiment de câblage</b>	968 cm <sup>3</sup> (60 in <sup>3</sup> )	1720 cm <sup>3</sup> (105 in <sup>3</sup> )	4720 cm <sup>3</sup> (288 in <sup>3</sup> )

# 330 cm (13") pour 10KW, 12.5KW, et 15KW ;  
40,5 cm (16") pour les réchauffeurs 20KW

Numéro de catalogue	Description
<b>CWB-1</b>	Potence murale pour les appareils de 3,5 à 15 kW.
<b>CWB-2</b>	Pareil qu'au dessus pour appareils de 20 à 50 kW
<b>TA-1</b>	Ensemble de thermostat unipolaire pour une gamme de température de 15,5 à 49°C pour installation sur place dans tous les appareils.
<b>DS-30</b>	Ensemble d'interrupteur-sectionneur d'alimentation tripolaire pour installation sur place dans des appareils de chauffage prévus pour 30 A ou moins.
<b>DS-63</b>	Ensemble d'interrupteur-sectionneur d'alimentation tripolaire pour installation sur place dans des appareils de chauffage de 10 kW et plus prévus pour 30 à 63 A.

Chaque appareil de chauffage est équipé d'un ou plusieurs coupe-circuit(s) thermique(s) de sécurité qui arrête(nt) automatiquement l'appareil de chauffage en cas de surchauffe et le remet(tent) en marche quand la température de fonctionnement revient à la normale. Si l'appareil surchauffe et met en service le cycle de coupure thermique, il faut déterminer la cause avant de continuer le fonctionnement.

#### EMPLACEMENT DES APPAREILS DE CHAUFFAGE

Se reporter aux hauteurs de montage et aux dégagements min. et max. du tableau des caractéristiques. Le fait de monter les appareils de chauffage trop haut oblige à régler les volets complètement vers le bas pour diriger l'air chaud vers le sol et à réduire ainsi la distance du jet d'air. Les appareils de chauffage doivent être placés de façon à ce que le courant d'air de décharge ne soit pas obstrué par des colonnes, des machines, etc. Ils doivent aussi être placés hors de la portée des personnes.

On peut faire pivoter les appareils et régler leurs volets afin d'obtenir la direction et la distance de décharge d'air chaud désirées.

Lorsqu'on utilise un thermostat à distance, il faut qu'il soit positionné sur un mur ou un montant intérieur, à l'abri des rayons du soleil et des sources de chauffages internes et loin des courants d'air froid.

Le nombre et la capacité d'appareils de chauffage requis doivent être déterminés en fonction de la perte de chaleur des lieux. Les petites zones peuvent être chauffées par un seul appareil. Les zones plus grandes nécessitent plusieurs appareils. Là où plusieurs appareils sont requis, la décharge d'air de chaque appareil doit renforcer le débit d'air des autres appareils afin de permettre une circulation d'air chaud sur tout le périmètre. (Se reporter à la Figure 1).

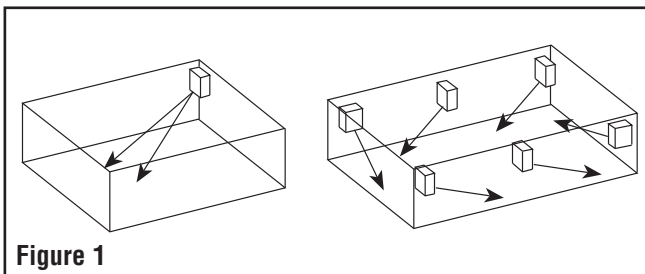


Figure 1

#### MONTAGE DE L'APPAREIL DE CHAUFFAGE

**De 10 kW à 30 kW :** Un trou de fixation taraudé 1/2" - 13 filet gros américain est fourni en haut de l'appareil de chauffage pour fixer l'appareil sur un support de montage optionnel ou une autre structure de montage ayant un dégagement de 25.4 cm (10 po) minimum par rapport au plafond. Des ensembles de montage pour mur/plafond, mur et plafond sont disponibles auprès du distributeur d'appareils électriques. Ils sont conçus pour monter les appareils de chauffage sur le mur ou le plafond, pour fournir un support suffisant, pour assurer un dégagement correct par rapport aux murs, et pour permettre un pivotement de l'appareil de chauffage. Les ensembles comprennent des instructions d'installation. Si l'un des ensembles de montage n'est pas utilisé, l'installateur doit fournir d'autres moyens de montage appropriés permettant un dégagement adéquat par rapport aux murs et aux plafonds adjacents tel qu'indiqué dans le tableau des caractéristiques.

**5 kW & 7,5 kW :** En plus du trou de fixation taraudé 1/2" - 13 filet gros américain, les appareils de chauffage de 5 et 7,5 kW sont fournis avec un support à crochet.

Le support peut maintenant être monté, en position de décharge d'air horizontale, dans la fente du trou de clavette double ce qui assure un dégagement du haut de l'appareil par rapport au plafond de 4.83 cm (1-7/8 po) (Figure 2). Ou bien, il peut être attaché à la fente du trou de clavette simple pour un montage horizontal ou vertical.

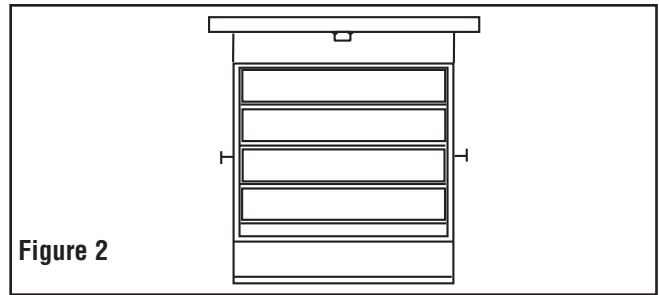


Figure 2

#### CÂBLAGE INTERNE

1. Les appareils de chauffage qui consomment 48 A ou plus sont équipés de fusibles de circuits de dérivation subdivisés internes.

**REMARQUE :** Un interrupteur-sectionneur correctement protégé par fusibles ou des disjoncteurs appropriés doivent être installés entre les connexions de l'appareil de chauffage et l'alimentation.

⚠ **ATTENTION** ⚠

Avant de continuer l'installation de l'appareil de chauffage, couper la tension de la conduite d'alimentation de l'appareil de chauffage au niveau de la boîte de service principale.

2. Toutes les connexions de câblage sont faites à l'intérieur de la boîte de commande au fond de l'appareil. Pour ouvrir la boîte de commande, desserrer les vis qui retiennent le couvercle à charnière à l'avant (dans le cas d'un couvercle à fente) ou retirer la(les) vis (dans le cas d'un couvercle sans fente) et ouvrir le couvercle (Figure 3).

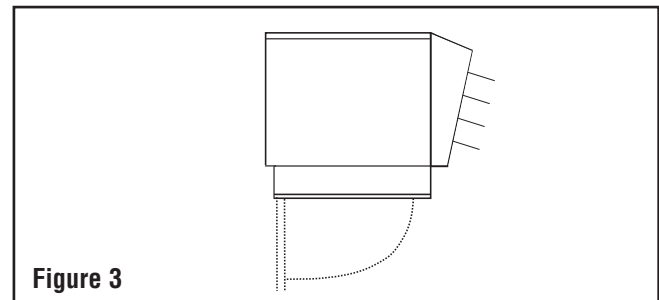


Figure 3

3. Des entrées prédécoupées et des blocs de raccordement sont fournis pour les connexions d'alimentation, ainsi que des connexions pour les commandes de l'appareil.

#### CÂBLAGE EXTERNE

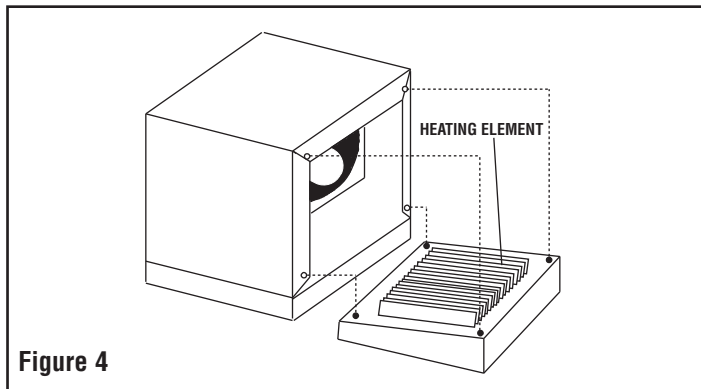
- 1 La dimension des câbles d'alimentation doit être conforme aux spécifications pour service électrique figurant sur la plaque signalétique de l'appareil et/ou le schéma de câblage (situé à l'intérieur du couvercle de la boîte de commande) et doit être prévu pour supporter 75 °C.
2. Connecter le conduit à l'entrée prédécoupée appropriée sur le panneau de la boîte de commande. Si l'on utilise un conduit rigide, le connecter à l'appareil de chauffage en prévoyant une longueur suffisante de conduit flexible afin de pouvoir faire pivoter l'appareil de la manière désirée.
3. Connecter les fils d'alimentation aux bornes de l'appareil de chauffage et connecter tout cavalier requis tel qu'indiqué sur le schéma de câblage.
4. Une fois toutes les connexions faites, fermer et fixer le couvercle de la boîte de commande.

## INSTRUCTIONS POUR LA MAINTENANCE

Afin de maintenir l'efficacité de l'appareil, celui-ci doit être inspecté périodiquement, et toute accumulation de saleté doit être ôtée de l'élément chauffant, des pales du ventilateur et du moteur au moyen d'une brosse douce ou d'un aspirateur.

**Appareils de chauffage de 5 kW & 7,5 kW :** On peut accéder à l'élément chauffant en retirant la lunette à volets, à l'avant de l'appareil. Desserrer sans retirer les 4 vis retranschées situées à l'arrière des volets (Figure 4). Tenir la lunette des deux côtés, la soulever puis la retirer entièrement. Une fois l'entretien de l'appareil terminé, remettre la lunette en suivant la même procédure en sens inverse.

Pour procéder à l'entretien du moteur, retirer la grille métallique de sécurité arrière (Figure 5).



**Appareils de chauffage de 10 à 30 kW :** On peut accéder à la surface de l'élément chauffant et au moteur du ventilateur en retirant le panneau

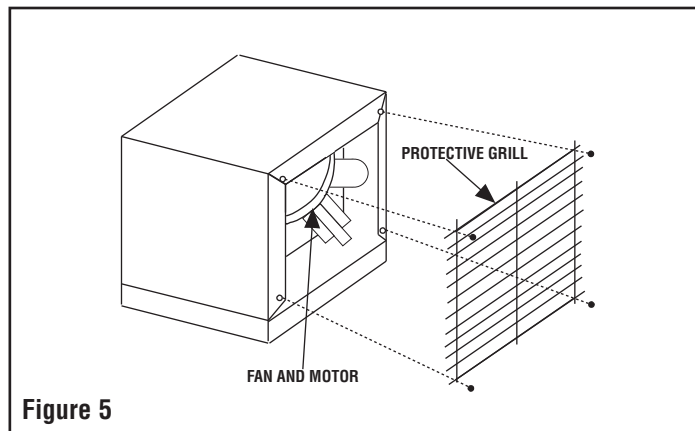


Figure 5

latéral gauche ou droit de l'appareil. Pour ce faire, ouvrir le couvercle à charnière de la boîte de commande, puis retirer les deux vis qui retiennent le bas du panneau latéral. Soulever cette extrémité du panneau latéral puis tirer vers le bas pour retirer le panneau. Une fois l'entretien de l'appareil terminé, mettre l'appareil à l'envers et remettre le panneau latéral en suivant la même procédure en sens inverse. replace the side panel.

**REMARQUE :** Lorsqu'un nouvel appareil de chauffage est mis sous tension, une légère fumée peut apparaître. Elle est due à la brûlure d'huile résiduelle restée sur l'élément chauffant durant la fabrication. Cette situation disparaît en quelques minutes une fois l'appareil de chauffage mis en service.

## GARANTIE LIMITÉE

Tous les produits mentionnés dans la présente notice sont garantis contre tout vice de matière et de construction pour une durée d'une année à partir de la date de montage, à l'exception des éléments de chauffage qui sont garantis contre tout défaut de matière et de construction pour une durée de dix années à partir de la date de montage. Cette garantie ne s'applique pas aux dommages provoqués par un accident, une mauvaise utilisation ou une modification; elle ne s'applique pas non plus lorsque l'appareil a été branché sur un courant de tension supérieure de plus de 5% à la tension indiquée sur la plaque signalétique, ni à du matériel incorrectement monté, câblé ou entretenu, des instructions de l'installation du produit. Toute réclamation dans le cadre de la garantie doit être accompagnée d'une preuve de la date de montage.

Les frais de démontage et de remontage des produits, y compris de main-d'oeuvre ainsi que les frais d'expédition à un centre de réparation Marley Engineered Products seront à la charge du client. Retourner, dans les limites de cette garantie, l'appareil en panne, à l'atelier de réparations agréé Marley le plus proche ou au Centre de réparations Marley Engineered Products et nous le réparerons ou le remplacerons à notre choix, sans frais pour vous, l'expédition de retour étant à notre charge. Il est entendu que la réparation ou le remplacement constitue le remède exclusif fourni par Marley Engineered Products.

LES GARANTIES CI-DESSUS REMPLACENT TOUTES LES AUTRES GARANTIES EXPLICITES OU IMPLICITES ET TOUTES LES GARANTIES IMPLICITES DE QUALITÉ MARCHANDE ET D'ADAPTATION À UN BUT PARTICULIER DÉPASSANT LES GARANTIES EXPLICITES SUSMENTIONNÉES SONT REJETÉES ET EXCLUES DE CE CONTRAT. MARLEY ENGINEERED PRODUCTS NE SERA PAS RESPONSABLE DES DOMMAGES INDIRECTS PROVOQUÉS PAR LE PRODUIT, QUE LA RÉCLAMATION SE FONDE SUR UNE FAUTE, LA NÉGLIGENCE, LA STRICTE RESPONSABILITÉ OU LE CONTRAT.

Certains états ne permettent pas les exclusions ou les limites aux dommages indirects ou consécutifs; les exclusions ou limites exposées ci-dessus risquent donc de ne pas s'appliquer à vous. Cette garantie vous donne des droits spécifiques face à la loi et vous pouvez disposer d'autres droits, variables d'un état à un autre.

Pour obtenir l'adresse du centre de réparation autorisé le plus proche, appelez Marley Engineered Products à Bennettsville, SC, États-Unis, au 1-800-642-4328. Les marchandises retournées à l'usine doivent être accompagnées du numéro d'autorisation et de l'étiquette d'identification du service, tous deux fournis par Marley Engineered Products. Inclure toutes les références figurant sur les produits dans toute demande d'autorisation de retour.

## COMMENT OBTENIR DES INFORMATIONS GÉNÉRALES ET DEMANDER UNE RÉPARATION OU DES PIÈCES SOUS GARANTIE

1. Réparations et pièces sous garantie **1-800-642-4328**
2. Achat de pièces de rechange **1-800-654-3545**
3. Informations générales sur les produits **www.marlymep.com**

**Remarque :** Lorsque vous demandez de l'assistance, ayez toujours en main

1. Le numéro de modèle du produit
2. La date de fabrication
3. Numéro ou description de la pièce



**Marley**  
Engineered Products

470 Beauty Spot Rd. East  
Bennettsville, SC 29512 USA