

Installation Instructions

NOTE: Accessories described in this instruction manual are intended for use with Marley Engineered Products R Series Fan Forced Wall Heaters only. Follow the instructions and warnings provided with the heater when installing this accessory.

SPECIFICATIONS

Model No.	Description
RSM	Surface Mounting Frame

IMPORTANT

WARNING

This instruction sheet contains vital information for the proper installation and use of the accessories described herein. Carefully read this manual before installation, operation, or service of the accessory. Failure to follow these instructions could result in fire, electric shock, death, serious personal injury, or property damage. Save these instructions for reference by future users.

WARNING: HAZARD OF FIRE OR ELECTRIC SHOCK.

1. Be sure electric power is disconnected at main fuse or circuit breaker distribution panel before installation or servicing.
2. The installation must comply with all Local and National Electrical Codes and utility requirements.
3. Refer to installation instructions provided with the heater when installing this accessory.
4. Check accessory and heater nameplate to verify power requirements match power supply coming to heater and accessory. Make sure total power requirements do not exceed ratings of accessory.
5. To prevent hazard of fire or electrical shock, **DO NOT** install without back box. **DO NOT** install closer than 36" (915mm) to the ceiling.

CAUTION

FOR WALL MOUNTING ONLY. **DO NOT** INSTALL HEATER CLOSER THAN 4" (102mm) TO THE FLOOR OR 6" (152mm) TO ADJACENT WALL SURFACE. **DO NOT** INSTALL CLOSER THAN 36" (915mm) TO THE CEILING.

CAUTION

DO NOT USE KNOCKOUTS ON LEFT END OF BACK BOX.

CAUTION

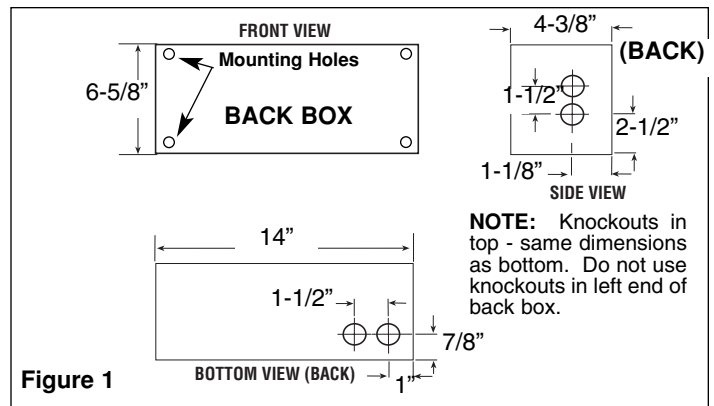
DO NOT USE HEATER FOR DRY OUT. PAINT, PLASTER, SAWDUST, AND DRYWALL SANDING DUST MUST BE KEPT OUT OF HEATER.

CAUTION

THE HEATER IS HOT WHEN IN USE. **DO NOT** INSTALL THE HEATER BEHIND DOOR, BEHIND TOWEL RACK, IN CLOSET, WHERE CURTAINS OR DRAPES COULD TOUCH OR BECOME SCORCHED BY HEATER, OR WHERE AIRFLOW TO HEATER MAY BE OBSTRUCTED. KEEP ELECTRICAL CORDS, BEDDING, FURNITURE AND OTHER COMBUSTIBLES AWAY FROM HEATER.

INSTALLATION

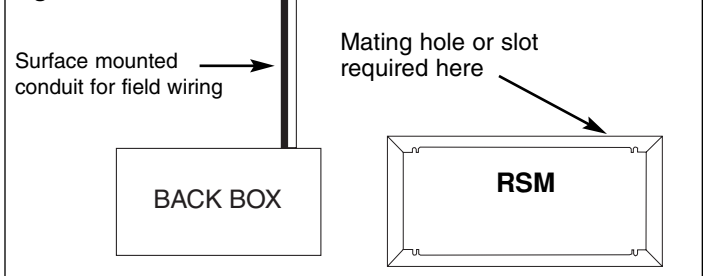
1. Position back box on wall at desired mounting location. Maintain minimum clearances stated in Warnings.
2. Secure back box to wall utilizing four mounting holes in back of back box. See fig. 1.



3. Determine which knockout in back box will be used for field wiring and remove (See fig. 1). Install strain relief (field supplied).

NOTE: If top, bottom, or right end knockouts are used for field wiring, a mating hole or slot will have to be punched in surface mounting frame. If field wiring enters box through the back or if field wiring exits wall next to right end of back box, no mating hole or slot in surface mounting frame is required.

Figure 2



4. If required, punch hole or cut slot in surface mounting frame to allow clearance for conduit. See Fig. 2 for example.
5. Mount the surface mounting frame by positioning frame on back box and pushing back to wall. As the frame goes over the back box, four tabs will bend out to provide a friction fit that holds frame in position for the balance of the installation.
6. Continue with the installation of the fan deck assembly and front cover as outlined in R Series Fan Forced Wall Heater Installation Instructions.

LIMITED WARRANTY

All products covered by this instruction sheet are warranted against defects in workmanship and materials for one year from date of installation. This warranty does not apply to damage from accident, misuse, or alteration; nor where the connected voltage is more than 5% above the nameplate voltage; nor to equipment improperly installed or wired or maintained in violation of this instruction sheet. All claims for warranty work must be accompanied by proof of the date of installation. The customer shall be responsible for all costs incurred in the removal or reinstallation of products, including labor costs, and shipping costs incurred to return products to a Marley Engineered Products Service Center, and we will repair or replace, at our option, at no charge to you with return freight paid by Marley. It is agreed that such repair or replacement is the exclusive remedy available from Marley Engineered Products.

THE ABOVE WARRANTIES ARE IN LIEU OF ALL OTHER WARRANTIES EXPRESSED OR IMPLIED, AND ALL IMPLIED WARRANTIES OF MERCHANTABILITY AND FITNESS FOR A PARTICULAR PURPOSE WHICH EXCEED THE AFORESAID EXPRESSED WARRANTIES ARE HEREBY DISCLAIMED AND EXCLUDED FROM THIS AGREEMENT. MARLEY ENGINEERED PRODUCTS SHALL NOT BE LIABLE FOR CONSEQUENTIAL DAMAGES ARISING WITH RESPECT TO THE PRODUCT, WHETHER BASED UPON NEGLIGENCE, TORT, STRICT LIABILITY, OR CONTRACT.

Some states do not allow the exclusion on limitation of incidental or consequential damages, so the above exclusion or limitation may not apply to you. This warranty gives you specific legal rights, and you may also have other rights which vary from state.

For the address of your nearest authorized service center, contact Marley Engineered Products, 470 Beauty Spot Road East, Bennettsville, SC 29512 USA. Merchandise returned to the factory must be accompanied by a return authorization and service identification tag, both available from the above location. When requesting return authorization, include all catalog numbers shown on the products.

HOW TO OBTAIN WARRANTY SERVICE AND WARRANTY PARTS PLUS GENERAL INFORMATION

- | | |
|--------------------------------|---|
| 1. Warranty Service or Parts | 1-800-642-4328 |
| 2. Purchase Replacement Parts | 1-800-654-3545 |
| 3. General Product Information | www.marlymep.com |

Note: When obtaining service always have the following:

1. Model number of the product
2. Date of manufacture
3. Part number or description



Marley
Engineered Products

An **SPX** Company
470 Beauty Spot Rd. East
Bennettsville, SC 29512 USA

ECR 34130

03/99

5200-2287-001