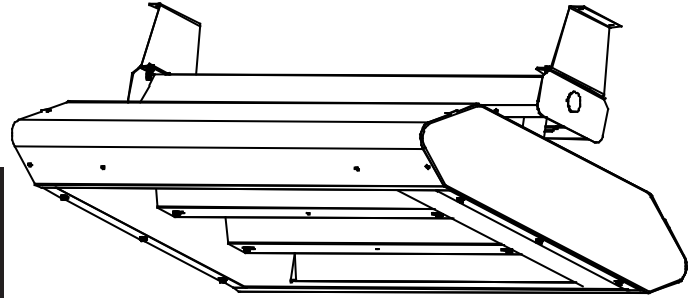




Marley
Engineered Products



Type RP3 & RS3 3 Element Infrared Heaters

FIXTURE SELECTION CHART

(Enclosure only - Select Appropriate Element from Element Selection Chart)

ENCLOSURE	REFLECTOR DESIGN					DIMENSIONS			
	30 DEG.		60 DEG.		90 DEG.	HEIGHT	WIDTH	LENGTH	WT.
	SYMMETRICAL	ASYMMETRICAL	SYMMETRICAL	ASYMMETRICAL	SYMMETRICAL	in. (mm)	in. (mm)	in. (mm)	lbs. (kg)
PAINTED STEEL	RP323SA	RP323ASA	RP326SA	RP326ASA	RP329SA	7.125 (181)	21.5 (546)	24 (610)	19 (8.6)
STAINLESS STEEL	RS323SA	RS323ASA	RS326SA	RS326ASA	RS329SA			33 (838)	24 (10.9)
PAINTED STEEL	RP333SA	RP333ASA	RP336SA	RP336ASA	RP339SA			46 (1168)	31 (14.1)
STAINLESS STEEL	RS333SA	RS333ASA	RS336SA	RS336ASA	RS339SA				
PAINTED STEEL	RP343SA	RP343ASA	RP346SA	RP346ASA	RP349SA				
STAINLESS STEEL	RS343SA	RS343ASA	RS346SA	RS346ASA	RS349SA				

Installation Instructions



WARNING



Read Carefully – This instruction sheet contains vital information for the proper installation, use, and efficient operation of the heater described. Carefully read this manual before installation, cleaning, or operation of the heater. Failure to adhere to the instructions could result in fire, electrical shock, death, serious personal injury, or property damage. Save these instructions and review frequently for continuing safe operation and instructing future users.

CAUTION – TO REDUCE RISK OF FIRE AND ELECTRIC SHOCK:

1. Disconnect all power coming to the heater at main service panel before wiring, installing elements, servicing, or disassembling heater.
2. All wiring must be in accordance with local and National Electrical Codes and the heater must be grounded as a precaution against possible electrical shock.
3. Verify the power supply voltage coming to the heater matches the rating printed on the elements before energizing.

4. Supply wire coming to the heater must be rated at least 90 degrees C. **USE COPPER WIRE ONLY.**
5. Minimum clearances, as specified in Figure 1, must be maintained. Keep combustible material, such as boxes, crates, etc., away from heater.
6. This heater is not suitable for use in hazardous locations as described by the NFPA. Do not use in areas where paint, gasoline, or other flammable liquids are used or stored.
7. Do not use TYPE RP heaters in areas where corrosive agents are present, such as marine, green houses, or chemical storage areas. TYPE RS heaters are better suited for these applications.
8. The mounting structure and anchoring hardware must be capable of reliably supporting the total weight of the heater and all accessories used. See selection chart for heater weight.
9. This heater is intended for ceiling mounting (or wall mounting, with accessory –WMB Wall Mounting Bracket) only. Elements must be horizontal.

SAVE THESE INSTRUCTIONS

General

These heaters are designed for: Indoor chain or conduit mounting, or outdoor conduit mounting. Not for recess installation. Element may be installed prior to mounting unit.

Mounting Limitations – Refer to Figure 1 for mounting limitations. Observe all minimum dimensions from ceiling, walls, floor, and combustible material.

Maintain minimum clearances of:

- 24" (610 mm) to vertical wall surfaces
- 36" (914 mm) between heaters mounted side by side. Heaters may be mounted end to end.
- 6" (152 mm) to ceiling

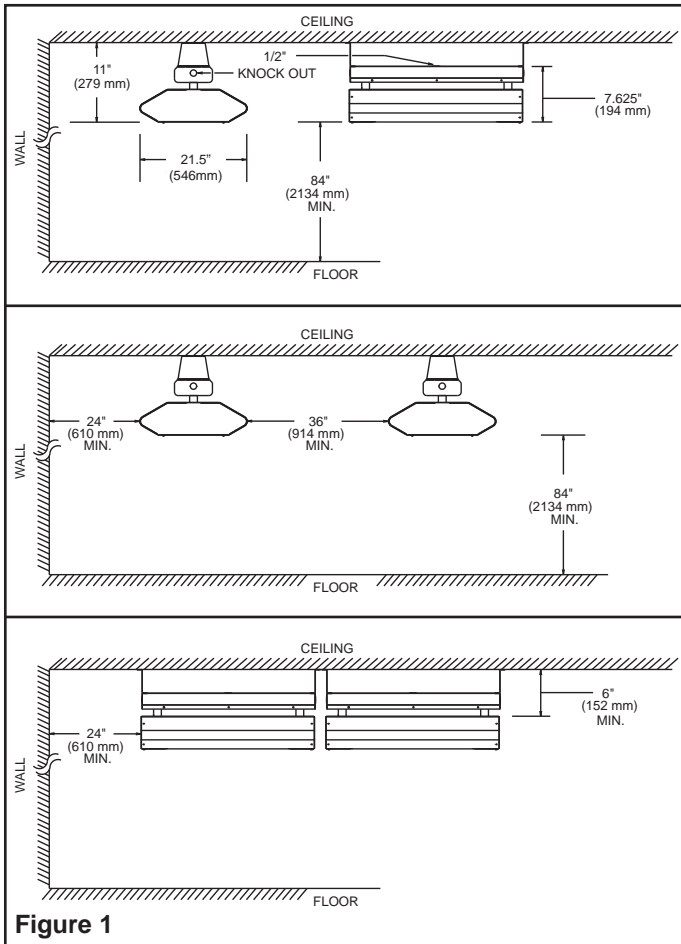
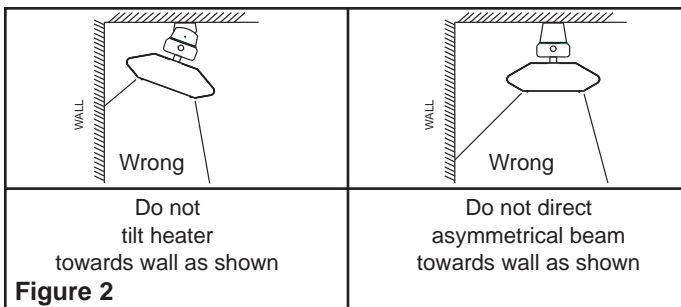


Figure 1

- 84" (2134 mm) to floor

Refer to Figure 2. When heater is mounted the minimum distance to the wall, do not angle the heater toward the wall,



Do not tilt heater towards wall as shown

Figure 2

Do not direct asymmetrical beam towards wall as shown

and do not direct an asymmetrical heater toward the wall. Heaters are designed for mounting only with elements horizontal, (for ceiling or wall mounting, used type RP-WMB or type RS-WMB wall mounting bracket.)

Refer to front page for additional important safety instructions.

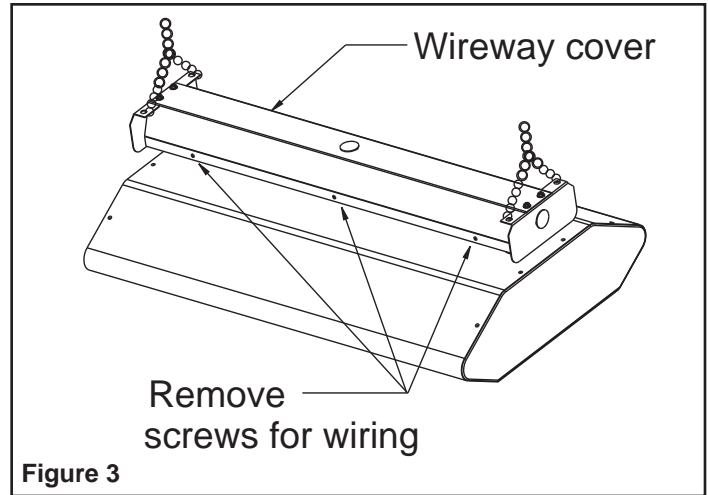


Figure 3

Chain Mounting (Indoor only)

Refer to Figure 3 and proceed as follows. Conduit, connectors, chain loops, and hooks are supplied by others in the following instructions.

1. Do not attach supplied mounting brackets.
2. Attach loop chains (not furnished) on each end of wire cover as shown in Figure 3.
3. Attach chains (not furnished) to ceiling at desired height above floor and connect to the center point of loop chains on wireway cover.
4. Remove screws (see Figure 3) from front of wireway cover and allow heater to rotate down for wiring.
5. Remove knockout from top or either end of wireway cover and install conduit connector and conduit.
6. Route supply wire to heater.
7. Proceed to wiring section (see Figure 6).

Surface Mounting (Indoor or Outdoor)

Refer to Figure 4 and proceed as follows.

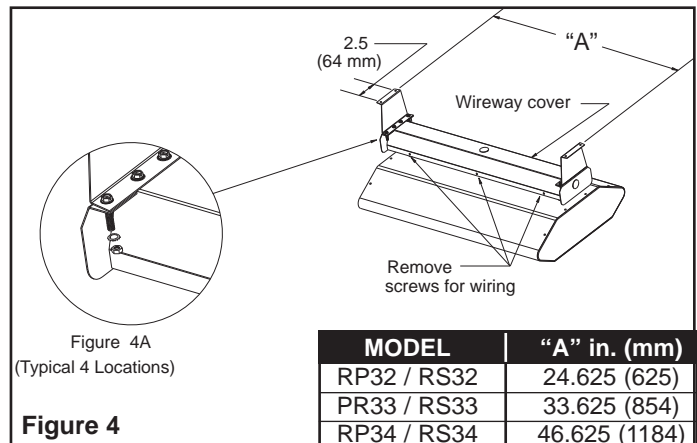


Figure 4A
(Typical 4 Locations)

Figure 4

MODEL	"A" in. (mm)
RP32 / RS32	24.625 (625)
PR33 / RS33	33.625 (854)
RP34 / RS34	46.625 (1184)

Conduit, conduit connectors, and fasteners to secure heater to ceiling are supplied by others in the following instructions.

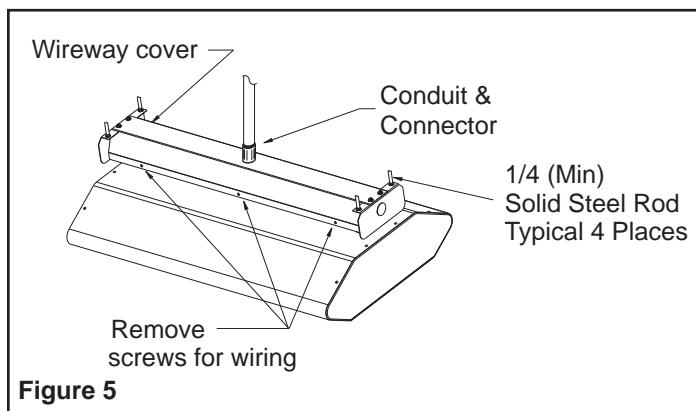
1. On a workbench or other flat surface, attach mounting brackets to ends of wireway cover (see Figure 4A) using bolts, star washers, and nuts supplied.
2. Remove screws (see Figure 4) from front of wireway cover, rotate wireway cover back, and remove from wireway base.
3. Mount wireway cover/mounting brackets to ceiling and secure using fasteners (by others) sized to sufficiently support heater and any optional accessories used.
4. Remove knockout from top or either end of wireway cover and install conduit connector and conduit.
5. Route supply wire to heater.
6. Align "T" tabs on wireway base with slots in wireway cover and hang heater assembly on wireway cover. Allow to hang open.
7. Proceed to wiring section (see Figure 6).

Conduit Mounting (Indoor or Outdoor)

Refer to Figure 5 and proceed as follows.

Conduit and conduit connectors supplied by others in the following instructions.

1. Do not attach supplied mounting brackets.
2. Mount field supplied conduit to building structure, secure using fasteners (by others) sized to sufficiently support heater and any optional accessories used.
3. Route supply wire to heater.
4. Remove screws (see Figure 5) from front of wireway cover, rotate wireway cover back, and remove from wireway base.



5. Remove knockout from top of wireway cover and attach wireway cover to conduit connector and conduit.
6. Align "T" tabs on wireway base with slots in wireway cover and hang heater assembly on wireway cover. Allow to hang open.
7. Proceed to wiring section (see Figure 6).

Wiring

Refer to Figure 6 and proceed as follows.

1. Connect heater wiring to power supply wiring as shown in Figure 6.

2. Connect the power supply ground wire to the heater green grounding lead wire.
3. Carefully fold the wires into the wiring compartment so they will not be pinched by the wiring compartment cover.
4. Pivot the heater assembly until the wiring compartment base rotates into place in the wiring compartment.
5. Secure the wiring compartment cover to the base with the screws removed previously.

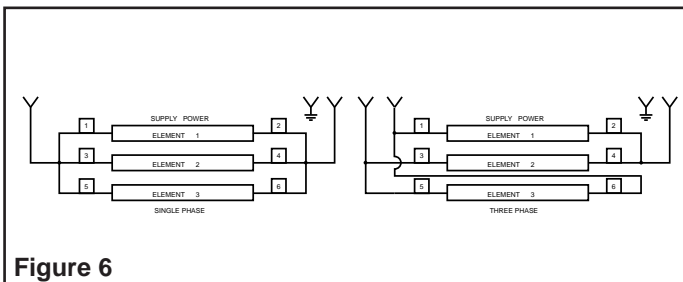


Figure 6

Installation of Quartz Lamp Element

1. Remove terminal cover at each end of fixture to gain access to terminal blocks. Loosen #10 hex nuts on terminal studs. Then wrap element leads around terminals one full turn as shown in Figure 7. Tighten nuts, making sure

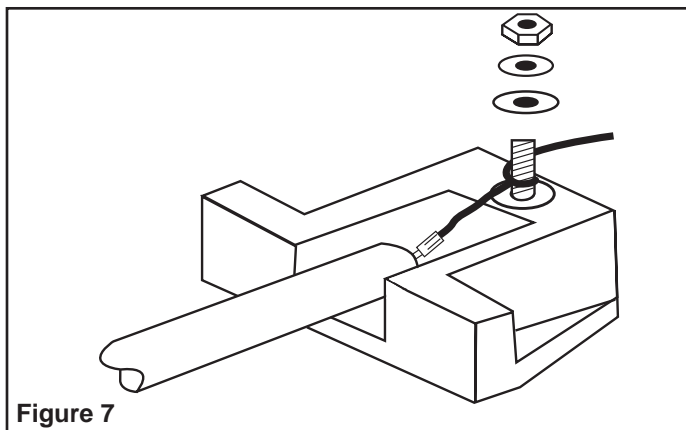


Figure 7

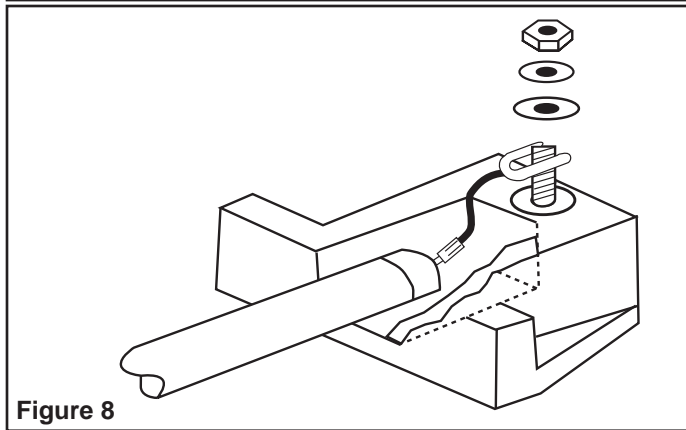


Figure 8

there is some slack in the lead after the attachment is made. Cut off and discard extra wire.



CAUTION

DO NOT HANDLE QUARTZ LAMP OR QUARTZ TUBE HEATING ELEMENTS WITH BARE HANDS AS SALT IN PERSPIRATION MAY DETERIORATE THE QUARTZ.



WARNING



EXCESS ELEMENT LEAD WIRES COULD COME IN CONTACT WITH THE HEATER ENCLOSURE AND CREATE A SHOCK OR FIRE HAZARD. CUT OFF ALL EXCESS LEAD MATERIAL.

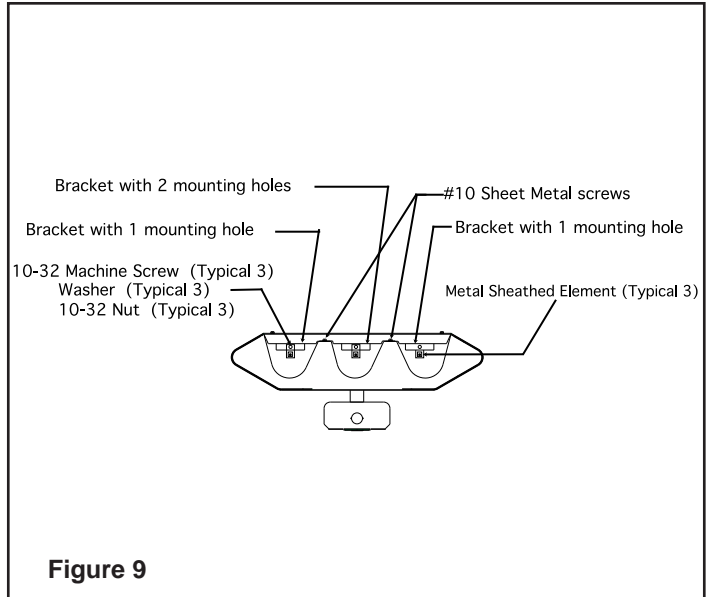
Installation of Quartz Tube Element

1. Remove terminal cover at each of fixture to gain access to terminal blocks. Loosen #10 hex nuts and install element as shown in Figure 8.

Installation of Metal Sheath Element

1. Remove terminal cover at each end of fixture to gain access to terminal blocks. Loosen #10 hex nuts, then attach one end of element as shown in Figure 8. (Note for

33" and 46" length unit only: With one end of element attached to terminal, slide insulator over metal sheath element and attach opposite end of element.) Complete assembly as shown in Figure 9 using bracket with one mounting hole for outside reflectors and bracket with 2 mounting holes in center reflector. (Discard other brackets.)



LIMITED WARRANTY

All products manufactured by Marley Engineered Products are warranted against defects in workmanship and materials for one year from date of installation, except metal sheath elements which are warranted against defects in workmanship and materials for two years and quartz tube / quartz lamps for two years from date of installation. This warranty does not apply to damage from accident, misuse, or alteration; nor where the connected voltage is more than 5% above the nameplate voltage; nor to equipment improperly installed or wired or maintained in violation of the product's installation instructions. All claims for warranty work must be accompanied by proof of the date of installation.

The customer shall be responsible for all costs incurred in the removal or reinstallation of products, including labor costs, and shipping costs incurred to return products to Marley Engineered Products Service Center. Within the limitations of this warranty, inoperative units should be returned to the nearest Marley authorized service center or the Marley Engineered Products Service Center, and we will repair or replace, at our option, at no charge to you with return freight paid by Marley. It is agreed that such repair or replacement is the exclusive remedy available from Marley Engineered Products.

THE ABOVE WARRANTIES ARE IN LIEU OF ALL OTHER WARRANTIES EXPRESSED OR IMPLIED, AND ALL IMPLIED WARRANTIES OF MERCHANTABILITY AND FITNESS FOR A PARTICULAR PURPOSE WHICH EXCEED THE AFORESAID EXPRESSED WARRANTIES ARE HEREBY DISCLAIMED AND EXCLUDED FROM THIS AGREEMENT. MARLEY ENGINEERED PRODUCTS SHALL NOT BE LIABLE FOR CONSEQUENTIAL DAMAGES ARISING WITH RESPECT TO THE PRODUCT, WHETHER BASED UPON NEGLIGENCE, TORT, STRICT LIABILITY, OR CONTRACT.

Some states do not allow the exclusion or limitation of incidental or consequential damages, so the above exclusion or limitation may not apply to you. This warranty gives you specific legal rights, and you may also have other rights which vary from state to state.

For the address of your nearest authorized service center, contact Marley Engineered Products in Bennettsville, SC, at 1-800-642-4328. Merchandise returned to the factory must be accompanied by a return authorization and service identification tag, both available from Marley Engineered Products. When requesting return authorization, include all catalog numbers shown on the products.

HOW TO OBTAIN WARRANTY SERVICE AND WARRANTY PARTS PLUS GENERAL INFORMATION

- | | |
|--------------------------------|------------------|
| 1. Warranty Service or Parts | 1-800-642-4328 |
| 2. Purchase Replacement Parts | 1-800-654-3545 |
| 3. General Product Information | www.marlymep.com |

Note: When obtaining service always have the following:

1. Model number of the product
2. Date of manufacture
3. Part number or description



Marley

Engineered Products

470 Beauty Spot Rd. East
Bennettsville, SC 29512 USA

ECR 36934

02/07

4