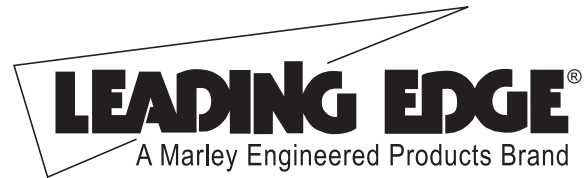


ASSEMBLY INSTRUCTIONS & PARTS MANUAL FOR



REVERSIBLE CEILING FANS

**CEILING FANS SHOULD BE INSTALLED
BY QUALIFIED INSTALLER.**

SPECIFICATIONS

MODEL NUMBER	BLADE SWEEP	COLOR	VOLTAGE	MAX HZ	MAX RPM	MAX AMPS	WATTS	WT (LBS)
56301RDPA	56"	White	120	50/60	275	1.0	110	24

READ INSTRUCTIONS CAREFULLY BEFORE ATTEMPTING TO ASSEMBLE OR SERVICE THE LEADING EDGE CEILING FAN. FAILURE TO COMPLY WITH INSTRUCTIONS COULD RESULT IN PERSONAL INJURY AND/OR PROPERTY DAMAGE.

RETAIN FOR FUTURE REFERENCE.

General Safety Information

WARNING: DISCONNECT POWER BEFORE INSTALLING OR SERVICING THIS EQUIPMENT.

1. All electrical wiring should be done by a qualified electrician in accordance with applicable National Electrical Code and local electrical codes.
2. Do not allow moving blades to come in contact with any part of the body.
3. Mount fan so that fan blades are 10 feet or higher from floor.
4. Make sure hanger hooks are mounted securely to structural ceiling members.
5. Do not mount in an area which will allow the fan to get wet.

WARNING: DO NOT USE IN AN EXPLOSIVE ATMOSPHERE.

6. Make certain that the ground wire is connected to the ground terminal and to a suitable electrical ground.

NOTE: When mounted in cathedral ceilings, the blade tip should be at least 12 inches from the angled roof line to prevent air "blow back" causing possible fan sway.

CAUTION: Read and follow instructions carefully. Failure to comply with instructions could result in the risk of fire, shock, and injury to persons.

WARNING: TO REDUCE THE RISK OF PERSONAL INJURY DO NOT BEND THE BLADE BRACKETS WHEN INSTALLING THE BRACKETS OR CLEANING THE FAN. DO NOT INSERT FOREIGN OBJECTS IN BETWEEN ROTATING FAN BLADES.

Description

Leading Edge Fans are designed as a dual purpose product. By minimizing temperature stratification in winter, they can reduce heating costs in high bay buildings. The summertime application provides a gentle downward movement of air for general air recirculation and evaporative cooling. A permanent split capacitor motor and permanently lubricated ball bearings add to the efficiency and quietness of the fans.

Unpacking

1. Remove fan components from carton carefully.
2. Check for shipping damage.
3. Check for missing parts against parts list.

RECOMMENDED MOUNTING HEIGHTS

For heat reclamation, this fan should be mounted on the standard 2' downrod included. On installations through drop ceilings, note the diameter of the downrod hole in the ceiling should be 2 $\frac{1}{2}$ ".

CAUTION: Fan blades should not be mounted lower than 10 feet above the floor.

Assembly

This fan includes a “secondary support” safety cable feature that complies with existing C.S.A. (Canadian Standards Association) requirements and all other proposed safety regulations for overhead air movement equipment. To insure proper installation of this important safety feature, please read and follow these instructions carefully.

1. Carefully unwrap the coiled safety cable and motor lead wires.
2. At the motor yoke assembly (A), remove the cotter pin and loosen the hexagon nut. Carefully remove spring washer and the hexagon screw (E). (See Figure 1)
3. Slide the upper canopy cover (B) (bell shaped) up the rod. Slide the lower canopy cover (C) up to rod.
4. Feed the five wires and the safety cable through the center hole in the steel yoke connecting piece above the motor (A) and then continue feeding wires and cable through the downrod until the wires and cable come out at the upper (shackle) end.
5. Mount the downrod to the yoke (A) and replace the hexagon screw. Secure the spring washer hexagon nut and spread the cotter pin.

NOTICE: The safety cable should be taped to one side of the yoke with electrical tape to prevent the cable from resting on top of motor during running operation.

(See Figure 2)

6. Slide the lower canopy (C) to be a 1/4” minimum height above the motor.

CAUTION: Do not allow the permanently installed lower canopy to touch the revolving motor as damage will occur. Make sure all wires are securely placed to avoid rubbing against the motor.

7. Attach the three blades, curved side down to the motor with the insulation pad mounted between the blade and the motor. Make sure blade holder is flat against motor platform when tightening blade nuts for secure fit.

CAUTION: Blades must be fastened to the motor as shown in Figure 1. DO NOT reverse blades when installing.

NOTE: Blades are weight balanced per set. DO NOT mix on multiple fan installations.

NOTE: Do not bend fan blade brackets.

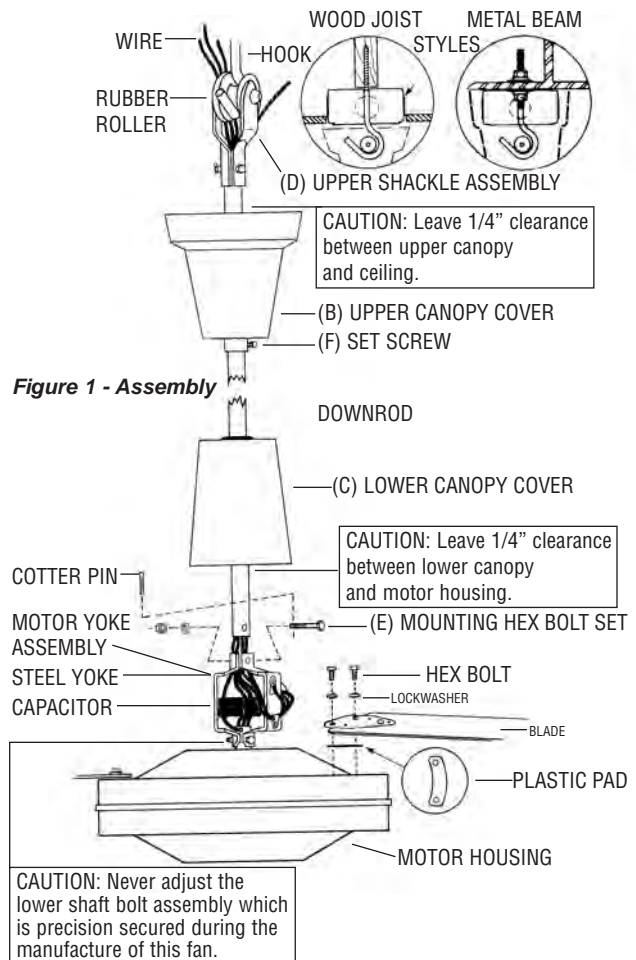
WARNING: DISCONNECT CIRCUIT POWER BEFORE MAKING ANY ELECTRICAL CONNECTIONS.

CAUTION: To reduce the risk of personal injury, install the primary mounting directly from building structure and use only the hardware provided with the fan.

8. Before attaching the appropriate “J” hook to the building structure member note the following:

IMPORTANT. WHEN MOUNTING THIS FAN, THE SUPPORT BEAM MUST BE SUITABLE FOR A 50 POUND LOAD LIMIT.

CAUTION: If Pilot hole is used with the wood thread hook, the pilot hole should be drilled no larger than the minor diameter of the screw threads on the hook. Do not put lubricant on the “J” hook. At least 1 1/2” of the screw threads should be secured into the structural wood joist. When the threaded bolt hook is used, be careful to secure tightly with supplied lockwashers and nuts. Attach the hook as instructed and hang the fan.



CAUTION: Make sure that blades are attached as shown.

9. This fan is equipped with the required “secondary support” cable. This cable must be affixed to the beam structures and securely clamped in such a manner to support the weight of the fan in the event the mounting hook or other parts fail. After wrapping cable around a structural member that will support 300 lbs., secure cable with supplied cable clamps as illustrated in Figure 3. (Note: Any additional materials needed for specific installations may be purchased from your local distributor.)

NOTICE: Leave approximately 3” but no more than 5” of slack on this safety cable to allow for possible fan movement. Do not exceed more than 5” total slack.

IMPORTANT CAUTION: The safety cable must not be placed between the rubber roller and hook but as illustrated in Figure 3.

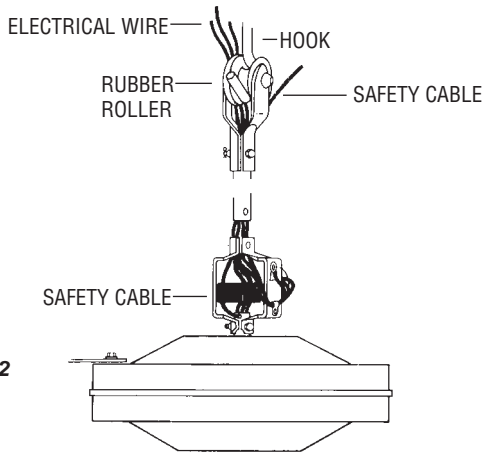


Figure 2

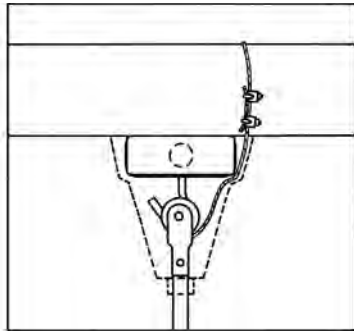


Figure 3

10. When hanging fan on factory supplied "J" hook, make sure cable at top of rod is positioned behind "J" hook as illustrated in Figure 3.

IMPORTANT NOTICE: It is important to note proper installation position of the cable clamps as illustrated in Figure 4. To obtain maximum holding power, install U-bolt section of clip on dead or short end of cable and saddle on long end of cable. Improper installation reduces the efficiency of the connection by as much as 40 percent.

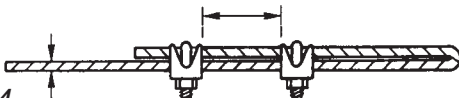
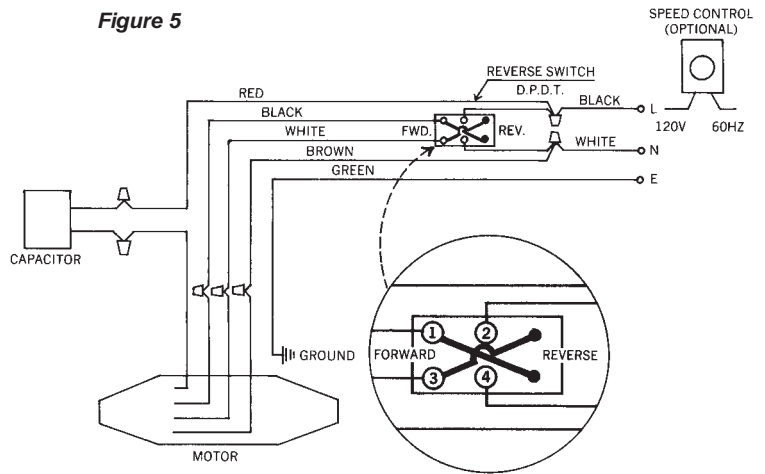


Figure 4

WARNING: DISCONNECT CIRCUIT POWER BEFORE MAKING ANY ELECTRICAL CONNECTIONS.

11. Run the wires from the downrod assembly to the electrical supply using appropriate wiring in accordance with the local code. Connect with listed wire connectors available from your local distributor. Connect red to black of power supply, brown to white of power supply, black to connection #1 on toggle switch, white to connection #3 on toggle switch, and green grounding lead to the grounded conductor of the supply circuit. To energize reversible toggle switch take jumper from black of power supply to #2 on toggle and take jumper from white power supply to #4 on toggle (see Figure 5). No loose strands or loose connections should be present. After splices are made, the wires should be spread apart so that the red and black are on one side of the outlet box and the white, brown and green are on the other side. Turn splices upward and carefully push all wiring into outlet box.

Figure 5



12. Slide the upper canopy (B) up the rod to within 1/4" of the ceiling or beam and securely tighten the set screw (F).
13. If a remote speed control is to be used refer to the installation instructions included with that control for proper installation and wiring.
14. Restore power.
15. After completing installation, test run fan in normal operating manner. Inspect for any possible shake or wobble which may be caused by binding as a result of "tight cable". If this should happen, shut off power supply and re-check instructions to correct problem.

NOTE: When any solid state motor speed control is used, a humming noise will be present in the fan on low speed. This hum in no way affects the operation of the fan and is acceptable in most industrial installations.

CAUTION: Do not flip switch from forward to reverse or vice versa without waiting for motor to stop. Damage to motor or driven equipment can result.

Maintenance

WARNING: THIS FAN HAS AN INTERNAL SELF-RESETTING THERMAL OVERLOAD PROTECTOR. ALWAYS DISCONNECT FROM POWER SUPPLY BEFORE SERVICING.

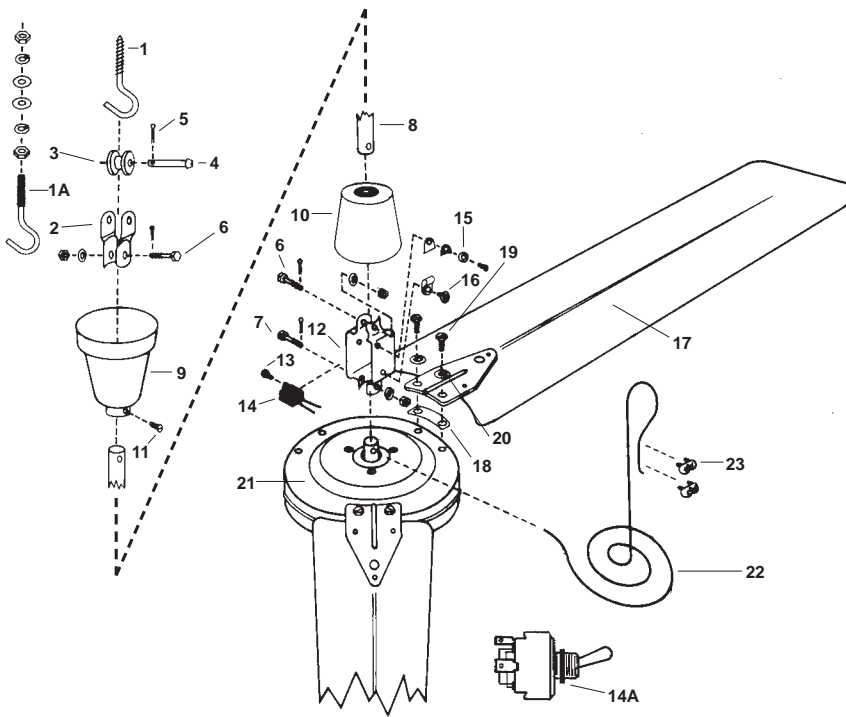
LUBRICATION

All bearings are permanently lubricated and do not require further lubrication.

CLEANING

This fan may be wiped off with a damp cloth. Do not allow the motor to get wet. Do not use solvents or harsh detergent.

CAUTION: Before servicing or cleaning unit, switch power off at service panel and lock service disconnecting means to prevent power from being switched on accidentally. When the service disconnecting means cannot be locked, securely fasten a prominent warning device, such as a tag, to the service panel.



Replacement Parts For 56301RDP

REF. NO.	DESCRIPTION	PART NO.	QTY
1	"J" hook mounting bolt assembly	2100069A	1
1A	Wood screw hook	2100070A	1
2	Upper shackle	2100071A	1
3	Rubber roller	2100072A	1
4	Clevis Pin	2100073A	1
5	3/32 x 3/4" Cotter pin	*	1
6	1/4 x 1 1/2" Hex bolt assembly	*	2
7	1/4 x 1 1/8" Hex bolt assembly	*	1
8	24" Downrod pipe	2100101A	1
9	Upper canopy, bell shaped	2100075A	1
10	Lower canopy	2100076A	1
11	10-24 x 3/8" Canopy set screw	*	1
12	▲ Steel yoke	2100078A	1

REF. NO.	DESCRIPTION	PART NO.	QTY
13	▲ Capacitor clamp screw	2100080A	1
14	▲ Capacitor (5630-1RDP)	2100141A	1
14A	Toggle Switch	4100098A	1
	△ Switch Plate	2100099A	1
15	▲ Grounding screw assembly	2100082A	1
16	▲ Plastic cable clamp assembly	2100083A	1
17	† 56" Blade (5630-1RDP)	2100146A	3
18	Blade pad	3100053A	3
19	1/4" x 3/4" Blade screw	2100086A	6
20	1/4" Blade lockwasher	*	6
21	▲ 56" Motor Assembly (5630-1RDP)	2100120A	1
22	▲ Safety cable assembly	2100088A	1
23	▲ Cable clamps	2100089A	2

- (▲) Included in motor assembly (2100120A).
- (†) Replacement set of 3 only, white in color.
- (*) Standard hardware item, available locally.
- (△) Not shown.

LIMITED WARRANTY

All products manufactured by Marley Engineered Products are warranted against defects in workmanship and materials for one year from date of installation, except the motor which is warranted against defects in workmanship and materials for three years from date of installation. This warranty does not apply to damage from accident, misuse, or alteration; nor where the connected voltage is more than 5% above the nameplate voltage; nor to equipment improperly installed or wired or maintained in violation of the product's installation instructions. All claims for warranty work must be accompanied by proof of the date of installation.

The customer shall be responsible for all costs incurred in the removal or reinstallation of products, including labor costs, and shipping costs incurred to return products to Marley Engineered Products Service Center. Within the limitations of this warranty, inoperative units should be returned to the nearest Marley authorized service center or the Marley Engineered Products Service Center, and we will repair or replace, at our option, at no charge to you with return freight paid by Marley. It is agreed that such repair or replacement is the exclusive remedy available from Marley Engineered Products.

THE ABOVE WARRANTIES ARE IN LIEU OF ALL OTHER WARRANTIES EXPRESSED OR IMPLIED, AND ALL IMPLIED WARRANTIES OF MERCHANTABILITY AND FITNESS FOR A PARTICULAR PURPOSE WHICH EXCEED THE AFORESAID EXPRESSED WARRANTIES ARE HEREBY DISCLAIMED AND EXCLUDED FROM THIS AGREEMENT. MARLEY ENGINEERED PRODUCTS SHALL NOT BE LIABLE FOR CONSEQUENTIAL DAMAGES ARISING WITH RESPECT TO THE PRODUCT, WHETHER BASED UPON NEGLIGENCE, TORT, STRICT LIABILITY, OR CONTRACT.

Some states do not allow the exclusion or limitation of incidental or consequential damages, so the above exclusion or limitation may not apply to you. This warranty gives you specific legal rights, and you may also have other rights which vary from state to state.

For the address of your nearest authorized service center, contact Marley Engineered Products in Bennettsville, SC, at 1-800-642-4328. Merchandise returned to the factory must be accompanied by a return authorization and service identification tag, both available from Marley Engineered Products. When requesting return authorization, include all catalog numbers shown on the products.

HOW TO OBTAIN WARRANTY SERVICE AND WARRANTY PARTS PLUS GENERAL INFORMATION

1. Warranty Service or Parts **1-800-642-4328**
2. Purchase Replacement Parts **1-800-654-3545**
3. General Product Information **www.marlymep.com**

Note: When obtaining service always have the following:

1. Model number of the product
2. Date of manufacture
3. Part number or description



Marley

Engineered Products

An **SPX** Company
 470 Beauty Spot Rd. East
 Bennettsville, SC 29512 USA

INSTRUCCIONES DE ENSAMBLAJE Y MANUAL DE PIEZAS PARA



VENTILADORES DE TECHO REVERSIBLES

LOS VENTILADORES DE TECHO DEBEN SER INSTALADOS POR UN INSTALADOR CAPACITADO.

ESPECIFICACIONES

NÚMERO DE MODELO	BARRIDO DE ASPA	COLOR	VOLTAJE	MAX HZ	MAX RPM	MAX AMPS	WATTS	WATTS PESO
56301RDPA	56"	Blanco	120	50/60	275	1.0	110	24

LEA CUIDADOSAMENTE LAS INSTRUCCIONES ANTES DE INTENTAR ENSAMBLAR O SUMINISTRAR SERVICIO DE MANTENIMIENTO AL VENTILADOR DE TECHO LEADING EDGE. NO CUMPLIR LAS INSTRUCCIONES PODRÍA RESULTAR EN LESIONES PERSONALES Y/O DAÑO A LA PROPIEDAD.

GUARDE PARA FUTURA CONSULTA.

Información general sobre seguridad

ADVERTENCIA: DESCONECTE LA ENERGÍA ELÉCTRICA ANTES DE INSTALAR O SUMINISTRAR SERVICIO DE MANTENIMIENTO A ESTE EQUIPO.

1. Todo el cableado eléctrico debe ser realizado por un electricista capacitado, de acuerdo con el Código Eléctrico Nacional y los códigos eléctricos locales.
2. No permita que las aspas en movimiento hagan contacto con ninguna parte del cuerpo.
3. Monte el ventilador de modo que las aspas del ventilador queden a una altura de 3,05 m (10 pies) o más del suelo.
4. Verifique que los ganchos de colgado están montados de manera segura a los miembros estructurales del cielo raso o techo.
5. No monte en un área que permita que el ventilador se humedezca.

ADVERTENCIA: NO UTILICE EN ATMÓSFERAS EXPLOSIVAS.

6. Verifique que el cable de tierra está conectado al terminal de tierra y a una tierra eléctrica apropiada.

NOTA: Cuando se monta en cielos rasos tipo catedral, la punta del aspa debe quedar a una distancia mínima de 0,30 m (12 pulg.) de la línea inclinada de techo para evitar "soplo de retorno" del aire que cause posible oscilación del ventilador.

PRECAUCIÓN: Lea y siga cuidadosamente las instrucciones. No cumplir con las instrucciones podría resultar en riesgo de incendio, descarga eléctrica, y lesiones a personas.

ADVERTENCIA: PARA REDUCIR EL RIESGO DE LESIONES PERSONALES, NO DOBLE LOS SOPORTES DE ASPA AL INSTALAR LOS SOPORTES O AL LIMPIAR EL VENTILADOR. NO INSERTE OBJETOS EXTRAÑOS ENTRE LAS ASPAS EN MOVIMIENTO DEL VENTILADOR. BETWEEN ROTATING FAN BLADES.

Descripción

Los ventiladores Leading Edge están diseñados como producto de doble propósito. Minimizando la estratificación de temperaturas durante el invierno, éstos pueden reducir los costos de calentamiento en edificios de espacios altos. La aplicación durante el verano proporciona un suave movimiento hacia abajo del aire para la recirculación general del aire y el enfriamiento evaporativo. Un motor de campo dividido con condensador y rodamientos de bolas de lubricación permanente aumentan la eficiencia y lo silencioso de los ventiladores.

Desempaque

1. Retire cuidadosamente los componentes del ventilador fuera de la caja de cartón.
2. Revise en cuanto a daños por transporte.
3. Revise en cuanto a piezas faltantes con respecto a la lista de piezas.

ALTURAS DE MONTAJE RECOMENDADAS

Para la recuperación de calor, este ventilador debe montarse en la barra de colgado de 2 pies estándar incluida. En instalaciones en cielos rasos inclinados, observe que el diámetro del orificio para la barra de colgado en el cielo raso debe ser de 2-1/2 pulg.

PRECAUCIÓN: Las aspas del ventilador no deben montarse a una altura inferior de 3,05 m (10 pies) del suelo.

Ensamblaje

This fan includes a "secondary support" safety cable feature. Este ventilador incluye una característica de cable de seguridad de "soporte secundario" que cumple con los requerimientos existentes de la Asociación Canadiense de Normas (C.S.A.) y todas las demás regulaciones de seguridad para los equipos de movimiento de aire en posición elevada. Para garantizar la instalación apropiada de esta importante característica de seguridad, por favor lea y siga cuidadosamente estas instrucciones.

1. Desenrolle cuidadosamente el cable de seguridad enrollado y los cables eléctricos del motor.
2. En la garra de fijación (A) del motor, retire la clavija de dos patas y afloje la tuerca hexagonal. Retire cuidadosamente la arandela resortada y el tornillo hexagonal (E). (Véase la Figura 1)
3. Deslice la cubierta superior (B) (en forma de campana) hacia arriba por la barra. Deslice la cubierta inferior (C) hacia arriba por la barra.
4. Inserte los 5 cables eléctricos y el cable de seguridad a través del orificio central en la garra de fijación de acero sobre el motor (A) y luego continúe insertando los cables eléctricos y el cable de seguridad a través de la barra de colgado hasta que los cables eléctricos y el cable salgan en el extremo superior (horquilla).
5. Monte la barra de colgado a la garra de fijación (A) y coloque nuevamente el tornillo hexagonal. Asegure la tuerca hexagonal de arandela resortada y abra la clavija de dos patas.

AVISO: El cable de seguridad debe sujetarse con cinta adhesiva a un lado de la garra de fijación mediante cinta eléctrica para evitar que el cable se apoye sobre la parte superior del motor durante la operación de marcha.

(Véase la Figura 2)

6. Deslice la cubierta inferior (C) hasta que quede a una altura mínima de 1/4" sobre el motor.

PRECAUCIÓN: No permita que la cubierta inferior instalada permanentemente haga contacto con el motor girando ya que se producirán daños. Verifique que todos los cables eléctricos están colocados de manera segura para evitar rozamiento contra el motor.

7. Sujete las tres aspas, el lado curvo hacia abajo hacia el motor, con la almohadilla de aislamiento montada entre el asa y el motor. Verifique que el soporte de asa está en posición horizontal con respecto a la plataforma del motor en el momento de apretar las tuercas del asa para acople seguro.

PRECAUCIÓN: Las aspas deben sujetarse al motor según se muestra en la Figura 1. NO invierta las aspas durante la instalación.

NOTA: Las aspas están balanceadas en peso por cada conjunto. NO haga mezclas en instalaciones múltiples de ventiladores.

NOTA: No doble los soportes de asa del ventilador.

ADVERTENCIA: DESCONECTE LA ENERGÍA ELÉCTRICA DEL CIRCUITO ANTES DE REALIZAR CUALQUIER CONEXIÓN ELÉCTRICA.

PRECAUCIÓN: Para reducir el riesgo de lesiones personales, instale el soporte principal directamente desde la estructura del edificio y utilice únicamente los herrajes suministrados con el ventilador.

8. Antes de sujetar el gancho en "J" apropiado al miembro estructural del edificio, observe lo siguiente:

IMPORTANTE. AL MONTAR ESTE VENTILADOR, LA VIGA DE SOPORTE DEBE SER APROPIADA PARA UN LÍMITE DE CARGA DE 50 LIBRAS.

PRECAUCIÓN: Si se utiliza orificio piloto con el gancho roscado para madera, el orificio piloto debe perforarse a un tamaño no superior al diámetro menor de las roscas de tornillo del gancho. No aplique lubricante al gancho en "J". Al menos 1-1/2 pulg. de la rosca de tornillo debe asegurarse dentro de la viga de madera estructural. Cuando se utiliza el gancho de perno roscado, tenga cuidado de asegurar apretadamente con las arandelas de seguridad y tuercas suministradas. Sujete el gancho según las instrucciones y cuelgue el ventilador.

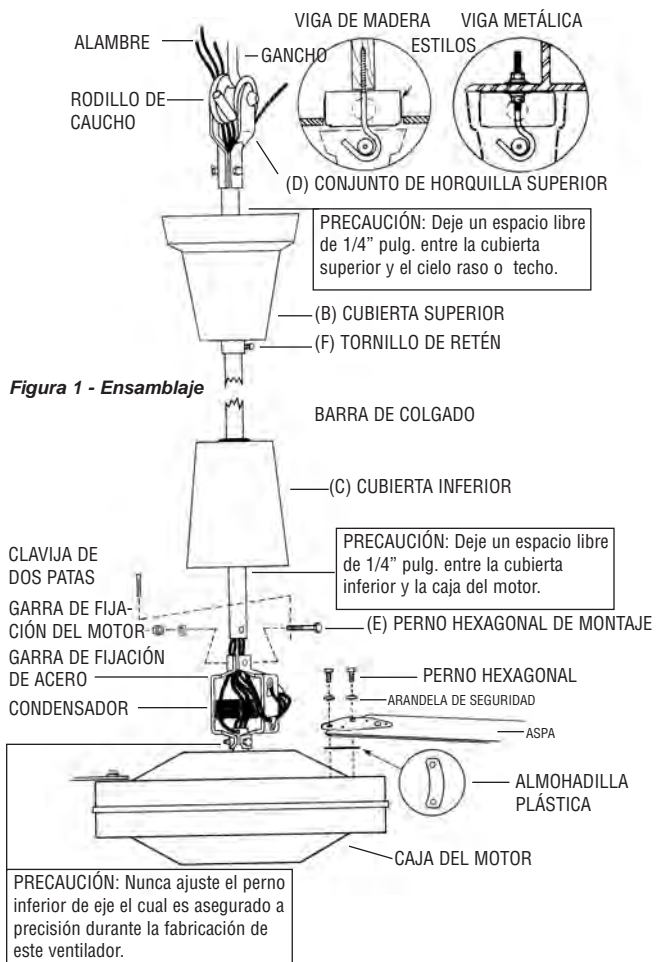


Figura 1 - Ensamblaje

PRECAUCIÓN: Verifique que las aspas están sujetadas según se muestra.

9. Este ventilador está equipado con el cable de "soporte secundario" requerido. Este cable de seguridad debe sujetarse a la estructura de vigas y sujetarse de manera segura de tal manera que soporte el peso del ventilador en caso que falle el gancho de montaje u otras piezas. Después de enrollar el cable de seguridad alrededor de un miembro estructural que soportará 300 lbs., asegure el cable con los sujetadores de cable suministrados según se ilustra en la Figura 3. (Nota: Cualquier material adicional necesario para instalaciones específicas puede comprarse a su distribuidor local).

AVISO: Deje aproximadamente 3 pulg. pero no más de 5 pulg. de flojedad en este cable de seguridad para permitir posible movimiento del ventilador. No exceda más de 5 pulg. de flojedad total.

PRECAUCIÓN IMPORTANTE: El cable de seguridad no debe colocarse entre el rodillo de caucho y el gancho, sino como se ilustra en la Figura 3.

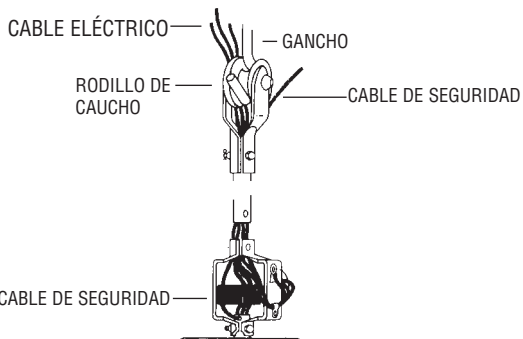


Figura 2

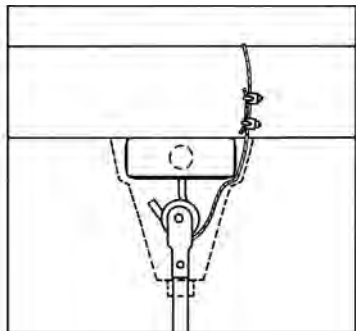


Figura 3

10. Cuando se cuelga el ventilador mediante el gancho en "J" suministrado por fábrica, verifique que el cable de seguridad en la parte superior de la barra está posicionado detrás del gancho en "J" según se ilustra en la Figura 3.

AVISO IMPORTANTE: Es importante observar la posición de instalación apropiada de los sujetadores del cable de seguridad según se ilustra en la Figura 4. Para obtener la máxima fuerza de sostenimiento, instale la sección de perno en "U" del sujetador sobre el extremo corto del cable de seguridad y sujete en el extremo largo del cable. La instalación inapropiada reduce la eficiencia de la conexión en hasta el 40%.

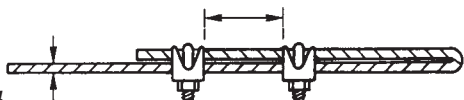
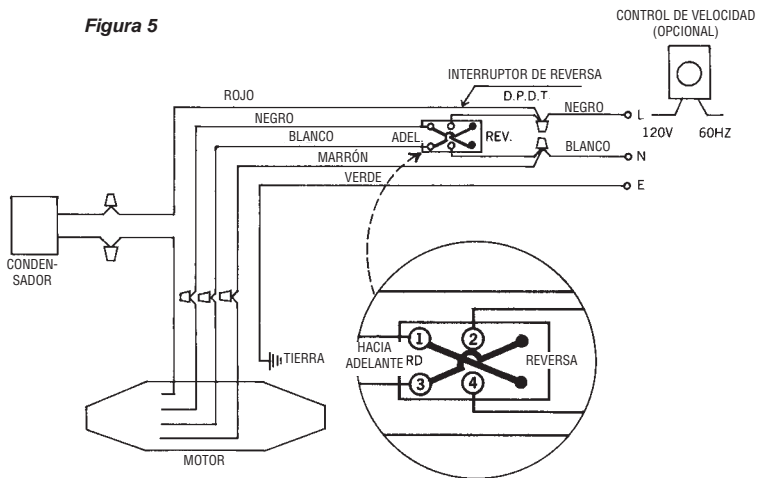


Figura 4

ADVERTENCIA: DESCONECTE LA ENERGÍA ELÉCTRICA DEL CIRCUITO ANTES DE REALIZAR CUALQUIER CONEXIÓN ELÉCTRICA.

11. Instale los cables eléctricos desde la barra de colgado hasta la fuente de energía eléctrica utilizando cables eléctricos apropiados de acuerdo con el código local. Conecte mediante los conectores de cable eléctrico listados disponibles en su distribuidor local. Conecte rojo con negro de la fuente de energía, marrón con blanco de la fuente de energía, negro con la conexión #1 en el interruptor tipo codillo, blanco con la conexión #3 en el interruptor tipo codillo, y el cable verde de conexión a tierra con el cable conectado a tierra del circuito de fuente energía. Para energizar el interruptor tipo codillo reversible, lleve el puente desde negro de la fuente de energía hasta #2 en el interruptor tipo codillo y lleve el puente desde blanco de la fuente de energía hasta #4 en el interruptor tipo codillo (véase la Figura 5). No deben haber conexiones flojas ni alambres sueltos. Después de realizar los empalmes, los cables eléctricos deben separarse de modo que el rojo y el negro estén en un lado de la caja de salida; y el blanco, marrón y verde estén en el otro lado. Gire los empalmes hacia arriba y empuje cuidadosamente todo el cableado dentro de la caja de salida.

Figura 5



12. Deslice la cubierta superior (B) hacia arriba por la barra hasta dentro de 1/4" pulg. de distancia del techo o viga, y apriete firmemente el tornillo de fijación (F).
13. Si debe utilizarse un control remoto de velocidad, consulte las instrucciones de instalación incluidas con ese control para obtener la información de instalación y cableado apropiados.
14. Restaure la energía.
15. Después de terminar la instalación, pruebe la operación del ventilador en el modo de operación normal. Inspeccione en busca de cualquier posible vibración o balanceo que pudiera ser causado por atascamiento como resultado de un "cable tirante". Si esto sucede, desconecte la fuente de energía y estudie nuevamente las instrucciones para corregir el problema.

NOTA: Cuando se utiliza cualquier control de velocidad de motor del tipo de estado sólido, habrá un ruido de zumbido en el ventilador a baja velocidad. Este zumbido no afecta de ninguna manera la operación del ventilador y es aceptable en la mayoría de las instalaciones industriales.

PRECAUCIÓN: No accione el interruptor desde la posición "hacia adelante" ("forward") a la posición "reversa", o viceversa, sin esperar que el motor se detenga. Podría causarse daño al motor o al equipo accionado.

Mantenimiento

ADVERTENCIA: ESTE VENTILADOR TIENE UN PROTECTOR CONTRA SOBRECARGA TÉRMICA INTERNO DE AUTO-REPOSICIONAMIENTO. ANTES DE SUMINISTRAR UN SERVICIO DE MANTENIMIENTO O REPARACIÓN, SIEMPRE DESCONECTE DE LA FUENTE DE ENERGÍA

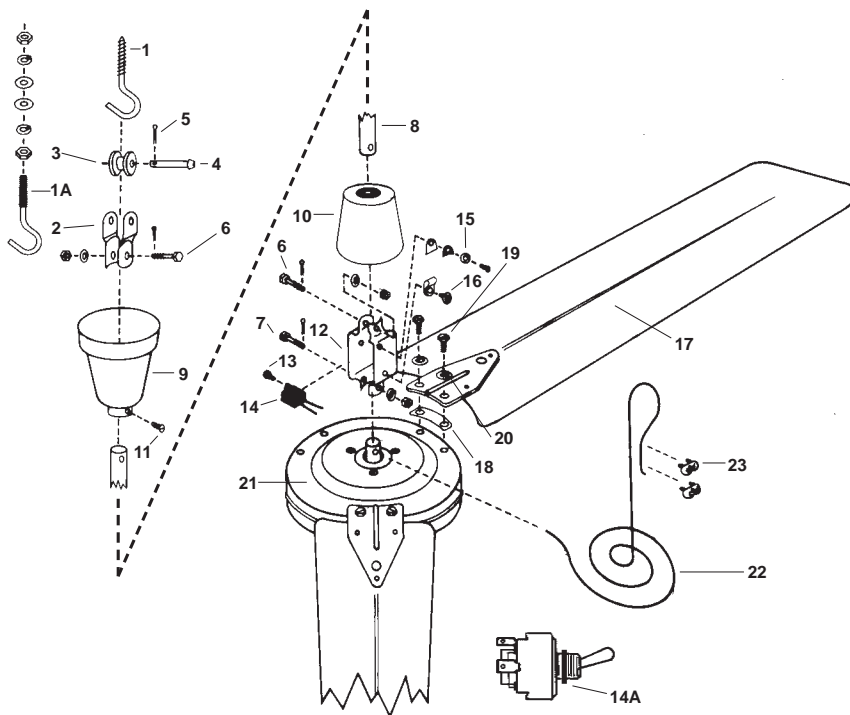
LUBRICACIÓN

Todos los rodamientos están lubricados de manera permanente y no requieren lubricación adicional.

LIMPIEZA

Este ventilador puede limpiarse con un trapo húmedo. No permita que el motor se humedezca. No utilice solventes o detergentes agresivos.

PRECAUCIÓN: Antes de suministrar servicio de mantenimiento o antes de limpiar la unidad, coloque en posición "off" el interruptor de energía ubicado en el panel de servicio e inmovilice los medios de desconexión del servicio para evitar que la energía sea activada involuntariamente. Cuando los medios de desconexión del servicio no puedan ser inmovilizados, sujete de manera segura al panel de servicio un elemento de advertencia visible, tal como un letrero.



Piezas de repuesto para 56301RDPA

REF. NO.	DESCRIPCIÓN	PIEZA NO.	CANT.
1	Perno de montaje tipo gancho en "J"	2100069A	1
1A	Gancho tipo tornillo para madera	2100070A	1
2	Horquilla superior	2100071A	1
3	Rodillo de caucho	2100072A	1
4	Pasador de horquilla	2100073A	1
5	Clavija de dos patas, 3/32 x 3/4"	*	1
6	Perno hexagonal, 1/4 x 1-1/2"	*	2
7	Perno hexagonal, 1/4 x 1-1/8"	*	1
8	Barra de colgado de 24 pulg.	2100101A	1
9	Cubierta superior, en forma de campana	2100075A	1
10	Cubierta inferior	2100076A	1
11	Tornillo de fijación de cubierta, 10-24 x 3/8"	*	1
12	▲ Garra de fijación de acero	2100078A	1

REF. NO.	DESCRIPCIÓN	PIEZA NO.	CANT.
13	▲ Tornillo de sujeción del condensador	2100080A	1
14	▲ Condensador (5630-1RDP)	2100141A	1
14A	Interruptor tipo codillo	4100098A	1
	△ Placa del interruptor	2100099A	1
15	▲ Tornillo de conexión a tierra	2100082A	1
16	▲ Sujetador plástico de cable	2100083A	1
17	† Aspa de 56" (5630-1RDP)	2100146A	3
18	Almohadilla de aspa	3100053A	3
19	Tornillo de aspa, 1/4" x 3/4"	2100086A	6
20	Arandela de seguridad de aspa, 1/4"	*	6
21	▲ Motor 56" (5630-1RDP)	2100120A	1
22	▲ Cable de seguridad	2100088A	1
23	▲ Sujetadores de cable	2100089A	2

- (▲) Incluido en el conjunto de motor (2100120A).
- (†) Conjunto de 3 repuestos únicamente, color blanco.
- (*) Elemento de herraje estándar, disponible localmente.
- (△) No se muestra.

GARANTÍA LIMITADA

Todos los productos fabricados por Marley Engineered Products están garantizados contra defectos en manufactura y materiales durante un (1) año a partir de la fecha instalación, excepto el motor los cuales está garantizado contra defectos en manufactura y materiales durante tres años a partir de la fecha de instalación. Esta garantía no aplica a daño por accidente, uso incorrecto, o alteración; ni donde el voltaje conectado sea superior en 5% al voltaje indicado en la placa de datos; ni se aplica a equipo instalado o cableado o mantenido de manera inapropiada en violación de las instrucciones de instalación de los productos. Todas las reclamaciones de trabajos de garantía deben incluir un documento que compruebe la fecha de instalación.

El cliente será responsable de todos los costos incurridos en la remoción o reinstalación de productos, incluyendo los costos de mano de obra, y los costos de envío incurridos para devolver los productos a un Centro de Servicio de Marley Engineered Products, y nosotros repararemos o reemplazaremos, según nuestra elección, sin costo para usted con el costo de envío de regreso pagado por Marley. Se acuerda que dicha reparación o reemplazo es el remedio exclusivo disponible de parte de Marley Engineered Products.

LAS ANTERIORES GARANTÍAS REEMPLAZAN CUALQUIER OTRA GARANTÍA EXPRESA O IMPLÍCITA, Y TODAS LAS GARANTÍAS IMPLÍCITAS DE MERCADEABILIDAD Y ADECUADIBILIDAD PARA UN PROPÓSITO EN PARTICULAR QUE EXCEDEN LAS GARANTÍAS EXPRESAS MENCIONADAS SON DENEGADAS MEDIANTE ESTE DOCUMENTO Y EXCLUIDAS DE ESTE ACUERDO. MARLEY ENGINEERED PRODUCTS NO SERÁ RESPONSABLE POR DAÑOS CONSECUCIONALES QUE SURJAN CON RESPECTO AL PRODUCTO, ESTÉN O NO BASADOS EN NEGLIGENCIA, INFRACCIÓN, RESPONSABILIDAD ESTRICTA, O CONTRATO.

Algunos estados no permiten la exclusión en la limitación de los daños incidentales o consecucionales, de manera que la anterior exclusión o limitación podría no aplicarse a usted. Esta garantía le proporciona a usted derechos legales específicos, y también podría tener otros derechos que varían de estado a estado.

Para obtener la dirección de su centro de servicio autorizado más cercano, comuníquese con Marley Engineered Products, Bennettsville, SC 29512 USA. Tel. 1-800-642-4328. La mercancía devuelta a la fábrica debe incluir una autorización de devolución y la etiqueta de identificación de servicio, las cuales pueden conseguirse en la anterior dirección. Al solicitar la autorización de devolución, incluya todos los números de catálogo mostrados en los productos.

CÓMO OBTENER EL SERVICIO DE GARANTÍA Y LAS PIEZAS DE GARANTÍA, Y ADEMÁS, INFORMACIÓN GENERAL

- 1. Servicio o Piezas de Garantía **1-800-642-4328**
- 2. Compra de Piezas de Repuesto **1-800-654-3545**
- 3. Información General de Productos www.marleymep.com

Nota: Al solicitar servicio, siempre tenga a mano lo siguiente:

1. Número de modelo del producto
2. Fecha de fabricación
3. Número o descripción de la pieza

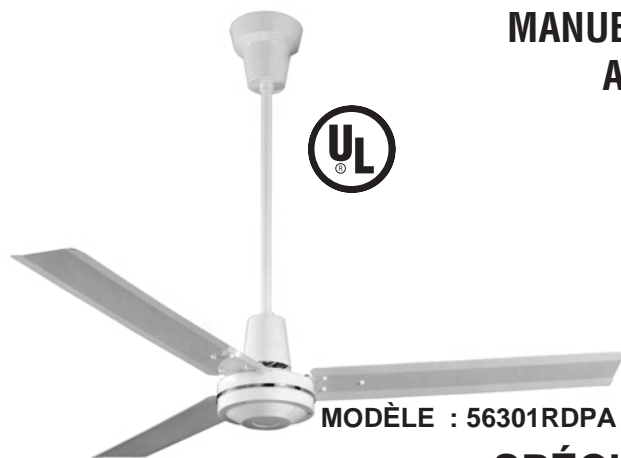


Marley
Engineered Products

An **SPX** Company

470 Beauty Spot Rd. East
Bennettsville, SC 29512 USA

MANUEL D'INSTRUCTIONS DE MONTAGE AVEC LISTE DE PIÈCES POUR



LEADING EDGE[®]
A Marley Engineered Products Brand

VENTILATEURS DE PLAFOND RÉVERSIBLES

LES VENTILATEURS DE PLAFOND DOIVENT ÊTRE PLACÉS
PAR UN INSTALLATEUR QUALIFIÉ.

SPÉCIFICATIONS

N° DE MODÈLE	DÉPORT DES PALES	COULEUR	TENSION V	FRÉ-QUENCE HZ	TOURS/ MIN MAX.	COURANT A MAX.	WATTS	POIDS
56301RDPA	56"	Blanco	120	50/60	275	1.0	110	24

LISEZ SOIGNEUSEMENT CES INSTRUCTIONS AVANT D'ESSAYER D'ASSEMBLER OU D'INTERVENIR SUR CE VENTILATEUR DE PLAFOND LEADING EDGE. NE PAS TENIR COMPTE DES INSTRUCTIONS PEUT ENTRAÎNER DES BLESSURES CORPORELLES ET/OU DES DÉGÂTS MATÉRIELS.

À CONSERVER COMME RÉFÉRENCE FUTURE.

Informations générales pour la sécurité

AVERTISSEMENT : DÉBRANCHEZ L'ALIMENTATION AVANT INSTALLATION OU INTERVENTION SUR CET ÉQUIPEMENT.

1. Tout le câblage électrique doit être effectué par un électricien qualifié en conformité avec les normes électriques nationales et locales.
2. Évitez que les pales en mouvement n'entrent en contact avec une partie quelconque du corps.
3. Montez le ventilateur de façon à ce que ses pales soient à au moins 3 mètres au-dessus du sol.
4. Assurez-vous que les crochets de suspension sont bien fixés sur les éléments d'ossature du plafond.
5. N'effectuez pas le montage dans une zone où le ventilateur pourrait être mouillé.

AVERTISSEMENT : N'UTILISEZ PAS CE VENTILATEUR EN ATMOSPHÈRE EXPLOSIVE.

6. Assurez-vous que le fil de terre est bien relié à la borne de terre, et à une terre électrique convenable.

REMARQUE : Pour un montage sur plafond cathédrale, la pointe de pale doit être à au moins 30 cm de la rupture de ligne de toiture, pour empêcher le recul d'écoulement de l'air qui pourrait faire osciller le ventilateur.

ATTENTION : Lisez attentivement les instructions et appliquez-les. Sinon vous risquez incendie, électrocution ou blessures corporelles.

AVERTISSEMENT : POUR RÉDUIRE LE RISQUE DE BLESSURES CORPORELLES, NE COURBEZ PAS LES SUPPORTS DE PALES QUAND VOUS LES INSTALLEZ OU QUAND VOUS NETTOYEZ LE VENTILATEUR. N'INSÉREZ PAS D'OBJETS ÉTRANGERS DANS L'ESPACE DES PALES DE VENTILATEUR EN ROTATION.

Description

Les ventilateurs de plafond Leading Edge sont conçus comme un produit à double finalité. En minimisant en hiver la stratification des températures, ils peuvent réduire les coûts de chauffage en ramenant l'air chaud emprisonné vers le sol. L'application en été fournit un doux mouvement descendant de l'air pour un brassage général et un refroidissement par évaporation. Un moteur à condensateur auxiliaire de démarrage permanent et des roulements à bille à lubrification constante aident à l'efficacité et à la discrétion de la ventilation.

Déballage

1. Sortez avec précautions les composants du ventilateur du carton.
2. Cherchez d'éventuels dommages.
3. Contrôlez avec la liste de pièces qu'il n'en manque pas.

HAUTEURS DE MONTAGE RECOMMANDÉES

Pour la récupération de chaleur ce ventilateur doit être monté sur la tige de suspension de 60 cm fournie. Pour les installations sur plafond suspendu, retenez que le diamètre du trou pour la tige de suspension au travers du plafond doit être de 6,35 cm.

ATTENTION : Les pales du ventilateur ne doivent pas être montées à moins de 3 mètres au-dessus du sol.

Montage

Ce ventilateur comporte un câble de sécurité pour un soutien de secours qui répond aux exigences en vigueur de la CSA (Association canadienne de normalisation) et à toutes les réglementations de sécurité proposées par ailleurs pour les équipements de brassage d'air suspendus. Pour assurer un montage correct de cet important dispositif de sécurité, veuillez lire attentivement ces instructions et les appliquer scrupuleusement.

1. Déroulez soigneusement le rouleau de câble de sécurité et les fils d'alimentation du moteur.
2. Sur l'ensemble de manille de moteur (A) enlevez la goupille fendue et desserrez l'écrou 6 pans (E). Enlevez soigneusement la rondelle élastique et l'écrou 6 pans (voir la Figure 1).
3. Faites glisser le chapeau de couverture supérieur (B) en forme de cloche en le remontant sur la tige. Faites aussi glisser le chapeau de couverture inférieur (C) vers le haut de la tige.
4. Passez les 5 fils et le câble de sécurité au travers du trou central de la manille acier de connexion au-dessus du moteur (A), puis continuez de passer fils et câble au travers de la tige creuse de suspension jusqu'à ce qu'ils ressortent par l'extrémité de manille supérieure.
5. Montez la tige de suspension sur la manille de moteur (A) et replacez le vis 6 pans. Serrez l'écrou 6 pans sur la rondelle élastique et écartez la goupille.

CONSEIL : Le câble de sécurité doit être fixé sur un côté de la manille avec de la bande adhésive d'électricien pour l'empêcher de reposer sur le dessus du moteur durant le fonctionnement (voir la Figure 2).

6. Faites glisser le chapeau inférieur (C) vers le bas pour être à au moins 6,35 mm au-dessus du moteur.

ATTENTION : Ne laissez pas le chapeau inférieur installé en permanence toucher le moteur tournant car il y aurait des dommages. Assurez-vous que tous les fils sont bien disposés pour éviter leur frottement contre le moteur.

7. Fixez les trois lames, leur côté incurvé en dessous vers le moteur, avec la cale d'isolation montée entre pale et ventilateur. Assurez-vous que le support de pale est à plat contre la plate-forme de moteur quand vous serrez les écrous de pales pour une bonne fixation.

ATTENTION : Les pales doivent être fixées sur le moteur comme montré en Figure 1. N'inversez PAS les pales à l'installation.

REMARQUE : Les pales sont assorties pour leur masse et centrage. Ne mélangez PAS les pales lors d'installations multiples.

REMARQUE : Ne courbez pas les supports de pales.

AVERTISSEMENT : DÉBRANCHEZ LE CIRCUIT D'ALIMENTATION AVANT DE RÉALISER TOUTE CONNEXION ÉLECTRIQUE.

ATTENTION : Pour réduire le risque de blessure corporelle, installez le montage d'origine directement sur la structure du bâtiment et n'utilisez que la visserie fournie avec le ventilateur.

8. Avant d'attacher le crochet en J approprié à la structure du bâtiment, retenez ce qui suit :

IMPORTANT : QUAND VOUS MONTEZ CE VENTILATEUR LE PROFILÉ DE SOUTIEN DOIT POUVOIR SUPPORTER JUSQU'À 22,7 KG.

ATTENTION : Si un avant-trou est utilisé avec le crochet fileté pour bois, il ne faut pas le percer plus gros que le diamètre minimum du filetage du crochet. Ne pas mettre de produit lubrifiant sur le crochet en J. Au moins 3,8 cm du filetage de vis doit être inséré dans la solive en bois du plafond. Quand le crochet à boulon fileté est utilisé, veillez à bien le serrer avec rondelle de blocage et écrou fournis. Attachez le crochet selon les instructions et suspendez le ventilateur.

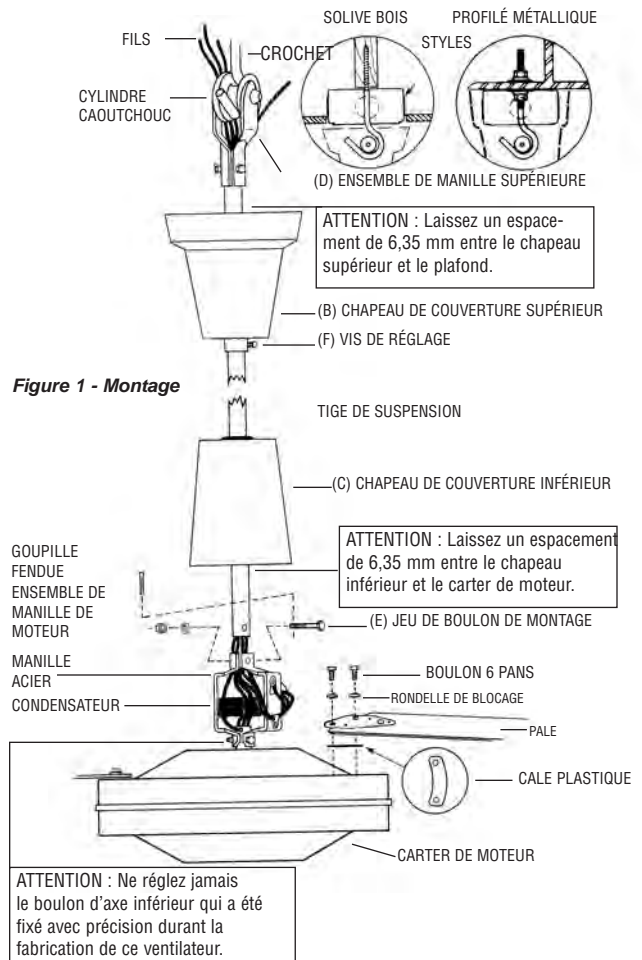


Figure 1 - Montage

ATTENTION : Assurez-vous que les pales sont bien fixées comme illustré.

9. Ce ventilateur est équipé d'un câble de soutien de secours nécessaire. Il peut être fixé à la structure de poutre et accroché solidement d'une façon telle qu'il puisse supporter le poids du ventilateur dans l'éventualité où le crochet de fixation ou une autre partie casse. Après avoir enroulé le câble autour d'une partie de structure pouvant supporter 137 kg, fixez ce câble avec les serre-câbles fournis comme illustré en Figure 3 (REMARQUE : Tout matériel additionnel nécessaire pour des installations spécifiques peut être acheté chez votre distributeur local).

CONSEIL : Laisser environ 7,5 cm (mais pas plus de 12,7 cm) sur ce câble de sécurité pour permettre un possible mouvement du ventilateur. Ne pas dépasser ce total de 12,7 cm de mou.

IMPORTANT PRÉCAUTION : Le câble de sécurité ne doit pas être placé entre le cylindre en caoutchouc et le crochet, mais plutôt comme illustré en Figure 3.

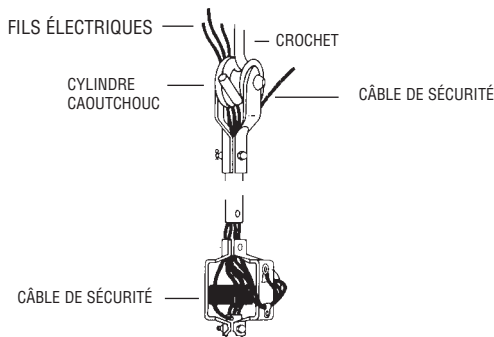


Figure 2

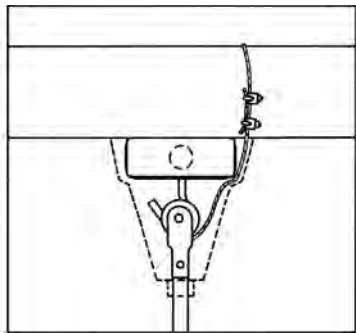


Figure 3

10. Quand vous suspendez le ventilateur sur le crochet en J fourni par l'usine, assurez-vous que le câble en haut de la tige est positionné derrière le crochet en J comme illustré en Figure 3.

IMPORTANT CONSEIL : Il est important de remarquer la bonne position d'installation des serre-câbles comme illustré en Figure 5. Pour obtenir la meilleure force de maintien, installez la section étrier de l'attache en fin de câble ou sur sa petite partie, en chevauchant le grand morceau du câble. Une installation incorrecte réduit l'efficacité du raccordement jusqu'à 40%.

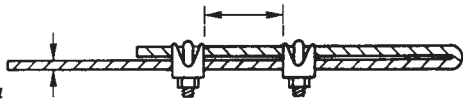
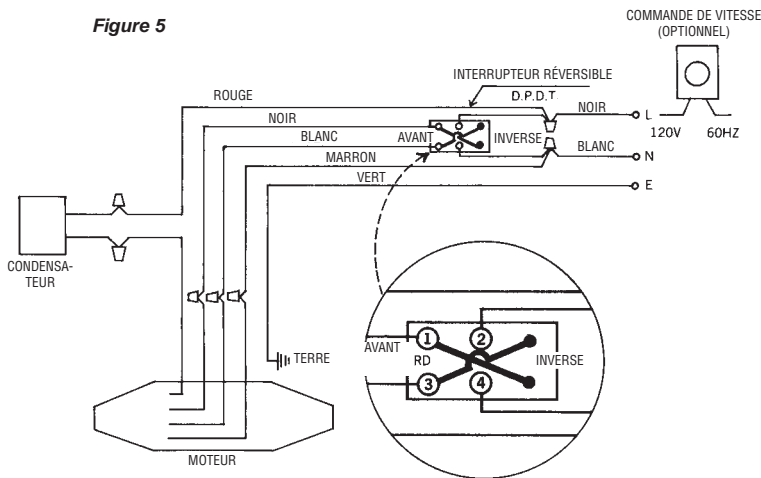


Figure 4

AVERTISSEMENT : COUPEZ LE CIRCUIT D'ALIMENTATION AVANT DE RÉALISER TOUTE CONNEXION ÉLECTRIQUE.

11. Raccordez les fils venant de la tige de suspension à l'alimentation électrique en utilisant le câblage approprié en conformité avec les normes locales. Réalisez les raccordements avec des connecteurs pour fils listés disponibles chez votre distributeur local. Branchez le rouge sur le noir de l'alimentation secteur, le marron sur le blanc de l'alimentation secteur, le noir sur la connexion N° 1 de l'interrupteur à bascule, le blanc sur la connexion N° 3 de l'interrupteur à bascule, et le fil vert de terre sur le fil d'arrivée de terre du secteur d'alimentation. Pour alimenter l'interrupteur à bascule réversible, tirez un cavalier du noir de l'alimentation secteur jusqu'à la connexion N° 3 de l'interrupteur à bascule, et tirez un autre cavalier du blanc de l'alimentation secteur jusqu'à la connexion N° 4 de l'interrupteur à bascule (voir la Figure 5). Ne laissez pas de brins flottants ou de connexions mal serrées. Une fois les épissures réalisées, les fils doivent être séparés pour mettre les fils rouge et noir d'un côté de la boîte de sortie, et les fils blanc, marron et vert de l'autre côté. Tournez les épissures vers le haut et poussez avec précautions tout le câblage dans la boîte de sortie.

Figure 5



12. Faites glisser le chapeau supérieur (B) en remontant la tige jusqu'à 6,35 mm du plafond ou de la poutre, et serrez bien la vis de réglage (F).
13. Si une commande distance de variation de vitesse doit être utilisée, reportez-vous aux consignes d'installation accompagnant cette commande pour effectuer correctement installation et câblage.
14. Remettez sous tension.
15. À la fin de l'installation, faites tourner le ventilateur en fonctionnement normal. Observez s'il y a de possibles oscillations ou vacillements pouvant venir d'un coincement par câble trop tendu. Si c'était le cas coupez la tension d'alimentation et vérifiez à nouveau l'installation pour corriger le problème en suivant les instructions.

REMARQUE : Quand une commande de moteur à semi-conducteur est utilisée, un bourdonnement peut être entendu au ventilateur à basse vitesse. Cela n'affecte pas le fonctionnement de la ventilation et le niveau est acceptable pour la plupart des installations industrielles.

ATTENTION : Ne basculez pas l'interrupteur de fonctionnement avant à inverse ou vice-versa sans avoir attendu l'arrêt du moteur. Sinon vous pourriez endommager le moteur et le dispositif d'entraînement.

Entretien

AVERTISSEMENT : CE VENTILATEUR COMPORTE UNE PROTECTION INTERNE CONTRE LA SURCHARGE QUI S'AUTO-RESTAURE. COUPEZ TOUJOURS L'ALIMENTATION AVANT D'INTERVENIR.

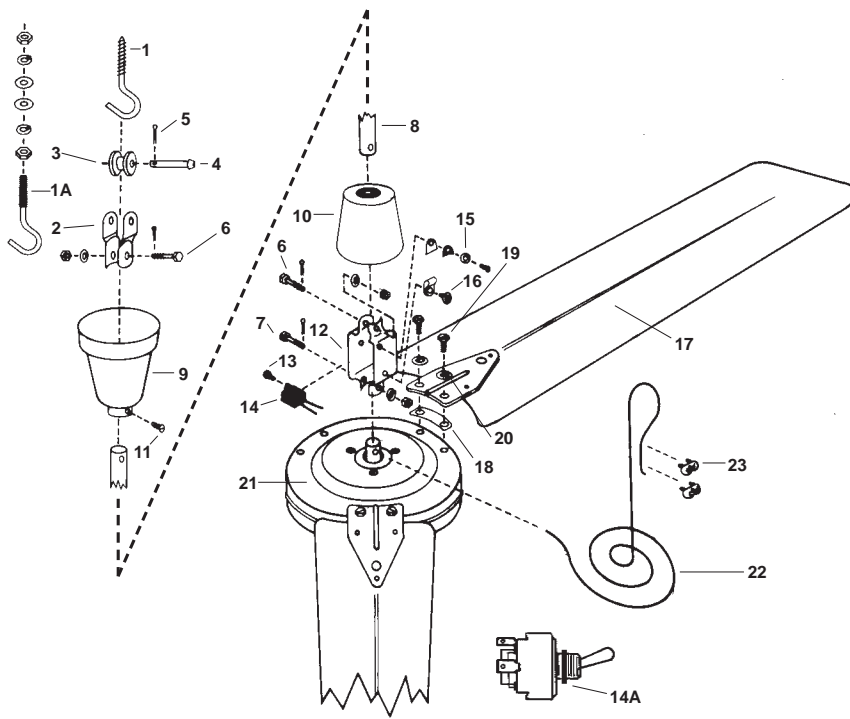
LUBRIFICATION

Les roulements à billes sont lubrifiés à vie et ne demandent pas de lubrification ultérieure.

NETTOYAGE

Nettoyez le ventilateur avec un chiffon humide. Ne laissez pas le moteur être mouillé. N'utilisez pas de solvants ou de détergents forts.

ATTENTION : Avant d'intervenir sur l'unité ou la nettoyer, coupez l'alimentation secteur au panneau de service et verrouillez cette coupure pour éviter que l'alimentation électrique ne soit rétablie accidentellement. Quand on ne peut pas verrouiller la coupure du secteur, accrochez de façon très visible un dispositif de signalisation, comme une étiquette, sur le panneau de service.



Pièces de rechange pour 56301RDPA

N° RÉF.	DESCRIPTION	N° PIÈCE	QTÉ
1	Ensemble de crochet en J avec boulon	2100069A	1
1A	Crochet à vis pour bois	2100070A	1
2	Manille supérieure	2100071A	1
3	Cylindre caoutchouc	2100072A	1
4	Goupille	2100073A	1
5	Goupille fendue 3/32 x 3/4"	*	1
6	Ensemble de boulon 6 pans 1/4 x 1 1/2"	*	2
7	Ensemble de boulon 6 pans 1/4 x 1 1/8"	*	1
8	Tige creuse de suspension de 30 cm	2100101A	1
9	Chapeau supérieur en cloche	2100075A	1
10	Chapeau inférieur	2100076A	1
11	Vis de réglage 10-24 x 3/8" de chapeau	*	1
12	▲ Manille acier	2100078A	1

N° RÉF.	DESCRIPTION	N° PIÈCE	QTÉ
13	▲ Article de quincaillerie classique disponible localement.	2100080A	1
14	▲ Condensateur (5630-1RDP)	2100141A	1
14A	Interrupteur à bascule	4100098A	1
	△ Plaque d'interrupteur	2100099A	1
15	▲ Ensemble de vis de terre	2100082A	1
16	▲ Ensemble de collier plastique pour câble	2100083A	1
17	† Pales de 56" (5630-1RDP)	2100146A	3
18	Cale de pales	3100053A	3
19	Vis de pales 1/4" x 3/4"	2100086A	6
20	Rondelles de blocage de pales 1/4"	*	6
21	▲ Ensemble de moteur pour 56" (5630-1RDP)	2100120A	1
22	▲ Ensemble de câble de sécurité	2100088A	1
23	▲ Serre-câbles	2100089A	2

- (▲) Inclus dans l'ensemble de moteur.
- (†) Jeu de rechange de 3 uniquement, de couleur blanche.
- (*) Article de quincaillerie classique disponible localement.
- (△) Non montré

GARANTIE LIMITÉE

Tous les produits fabriqués par Marley Engineering Products sont garantis contre les défauts de main d'œuvre et de matériaux pendant un an à partir de la date d'installation, sauf le moteur qui est garanti contre les défauts de main d'œuvre et de matériaux pendant trois ans, à partir de la date d'installation. Cette garantie ne s'applique pas aux dommages résultant d'accident, d'utilisation impropre ou d'altération, ni si la tension secteur appliquée est plus de 5% au-dessus de la valeur donnée sur la plaque signalétique, ni si l'équipement a été mal installé ou mal câblé, ou mal entretenu, sans respecter les instructions fournies avec le produit; Toutes les réclamations au titre de la garantie devront être accompagnées d'une preuve de la date d'installation.

Le client sera responsable de tous les frais causés par l'enlèvement ou la réinstallation des produits, y compris les frais de main d'oeuvre et les frais d'expédition pour renvoyer les produits au centre d'entretien Marley Engineered Products. Dans le cadre des limites de cette garantie, les appareils défectueux doivent être renvoyés au centre de service après-vente agréé Marley le plus proche ou au centre Marley Engineered Products et nous les réparerons ou remplacerons, à notre choix, gratuitement pour vous avec les frais de retour payés par Marley. Il est entendu qu'une telle réparation ou un tel remplacement sont les seuls recours pouvant être obtenus de Marley Engineered Products.

LES GARANTIES CI-DESSUS REMPLACENT TOUTES LES AUTRES GARANTIES EXPLICITES OU IMPLICITES ET TOUTES LES GARANTIES IMPLICITES DE COMMERCIALISABILITÉ ET D'ADAPTATION À UN USAGE PARTICULIER QUI DÉPASSENT LES GARANTIES EXPLICITES DÉCRITES CI-DESSUS SONT RÉFUTÉES PAR LA PRÉSENTE ET EXCLUES DE CET ACCORD. Marley Engineered Products NE SERA PAS RESPONSABLE DES DOMMAGES CIRCONSTANCIELS CAUSÉS PAR LE PRODUIT, QUE CE SOIT PAR NÉGLIGENCE, DÉLIT, RESPONSABILITÉ STRICTE, OU CONTRAT.

Certaines provinces n'autorisent pas l'exclusion ou la limitation des dommages circonstanciels ou fortuits, de sorte que l'exclusion ou la limitation ci-dessus peuvent donc ne pas vous concerner. Cette garantie vous donne des droits légaux spécifiques et vous pouvez aussi avoir d'autres droits qui varient d'une province à l'autre. Pour l'adresse de notre centre d'entretien autorisé le plus proche, contacter Marley Engineered Products, Bennettsville, SC 29512 USA en téléphonant au 1-800-642-4328. La marchandise renvoyée en usine doit être accompagnée d'étiquettes d'autorisation d'envoi et de service, disponibles chez Marley Engineered Products. Lors de la demande d'autorisation de renvoi, inclure tous les numéros de catalogue apparaissant sur les produits.

OBTENTION DU SERVICE DANS LE CADRE DE LA GARANTIE ET DES INFORMATIONS GÉNÉRALES

- Service ou pièces sous garantie: **1-800-642-4328**
- Achat de pièces de rechange: **1-800-654-3545**
- Informations générales sur les produits: **www.marlymep.com**

REMARQUE : Quand vous demandez du service préparez toujours avant d'appeler :

- N° de référence de modèle du produit
- Date de fabrication
- Numéro ou description de pièce(s)



Marley
Engineered Products

An **SPX** Company
470 Beauty Spot Rd. East
Bennettsville, SC 29512 USA