



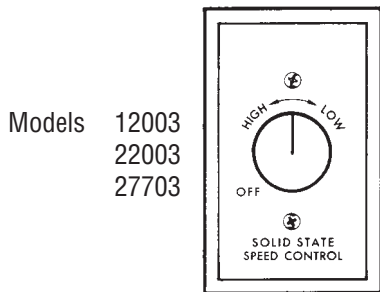
Adjustable Speed Controls

OPERATING INSTRUCTIONS

MODELS: 12003, 12008, 12012, 22003, 22008, 22012, 27703, 27708, 27712

READ CAREFULLY BEFORE ATTEMPTING TO INSTALL, OPERATE, OR SERVICE ADJUSTABLE SPEED CONTROLS!

RETAIN INSTRUCTIONS FOR FURTHER REFERENCE.

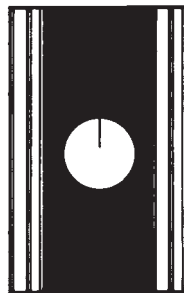


Models 12003
22003
27703

3 Amps

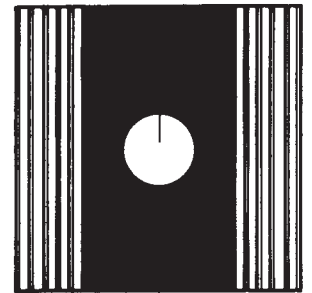
Description

Leading Edge solid state adjustable speed controls are engineered and designed specifically for use with Leading Edge commercial/industrial ceiling fans. Controls provide adjustable speed operation at any point between minimum and maximum fan speeds. All models have a hard plastic backing to protect components and circuit board and dial on/off switch. 3 Amp control Model features brushed aluminum wall plate. 8 and 12 Amp controls feature a finned aluminum heat sink plate, wire brushed gold finish and black trim. All models are UL Listed.



Models 12008
22008
27708

8 Amps



Models 12012
22012
27712

12 Amps

General Safety Information

WARNING: DISCONNECT POWER SUPPLY BEFORE WIRING CONNECTIONS ARE MADE TO PREVENT POSSIBLE ELECTRICAL SHOCK OR DAMAGE TO EQUIPMENT.

WARNING: READ AND FOLLOW INSTRUCTIONS CAREFULLY. FAILURE TO COMPLY WITH INSTRUCTIONS COULD RESULT IN FIRE, ELECTRICAL SHOCK, INJURY TO PERSONS, AND/OR DAMAGE TO EQUIPMENT.

1. All wiring should conform to the National Electrical Code and local regulations.
2. Do not mount in an area which will allow the control to come in contact with moisture.
3. Make certain the entire installation is grounded as a precaution against possible electrical shock.
4. Do not exceed maximum amperage rating of the control as overloading can result in damage to ceiling fan and control.

SPECIFICATIONS AND RECOMMENDED CONTROL CALCULATIONS PER FAN MODEL

MODEL NUMBER	VOLTS	AMPS	CONTROLS			CONTROLS		CONTROLS
			36"/120 3620-1 UNITS	48"/120 4820-1 UNITS	56"/120 5600-1 5600-1LC 5630-1RDP 5610-1 UNITS	56" 220/277 5600-2 5600-7 UNITS	60"/120 6000-1 6010-1 UNITS	
12003	120	3	3	2	2			1
12008	120	8	10	6	6			4
12012	120	12	12	10	10			8
22003	220	3				2		
22008	220	8				6		
22012	220	12				8		
27703	277	3				2		
27708	277	8				6		
27712	277	12				8		

Installation

1. Turn power off at circuit breaker panel or fuse box.
2. Mount control to standard single gang wall box.
3. Run conduit between the wall box, power source, and the fan units being controlled. Leave approximately six inches of wire in the box for connections (See Figure 1).
4. Make wiring connections as shown in Figure 2. Connect one hot line from the supply to one black of the control. Connect the second black of the control to the black from the fan motor. Connect green ground wire to wall box. Make sure that the wire strands are straight and attach the wire leads of the control to the circuit wires by twisting them together. Twist a wire nut onto each connection.
5. Check all connections for tightness; leave no exposed copper conductor.
6. Position connections in box, leaving room for control.
7. Install speed control in wall box using screws supplied.

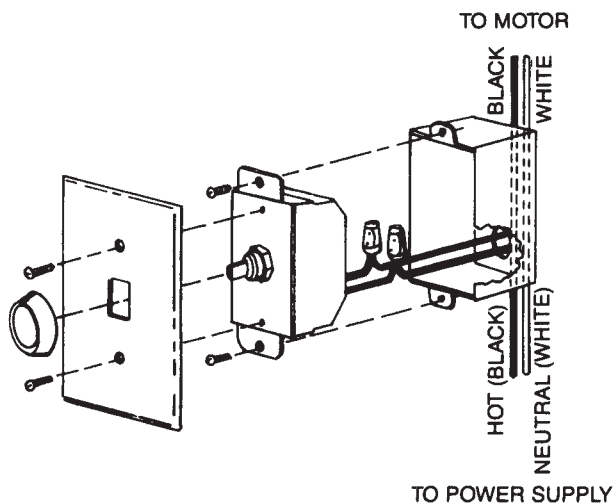


Figure 1 - Mounting Illustration

8. Attach control knob by pressing onto shaft firmly.
9. Restore power at circuit breaker panel or fuse box.

NOTE: When any solid state speed control is used, a humming noise will be present in the fan on low speed. This hum in no way affects the operation of the fan and is acceptable in most commercial/industrial installations.

Operation

3 AMP MODELS

To turn control "on," turn knob clockwise until a "click" is heard. To reduce fan speed, continue rotating knob clockwise to desired speed setting.

8 AND 12 AMP MODELS

To turn control "on," turn knob clockwise until a "click" is heard. To increase fan speed, continue rotating knob clockwise to desired speed setting.

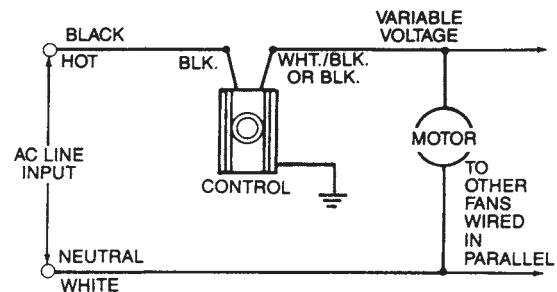


Figure 2 - Wiring Diagram

LIMITED WARRANTY

All products manufactured by Marley Engineered Products are warranted against defects in workmanship and materials for one year from date of installation. This warranty does not apply to damage from accident, misuse, or alteration; nor where the connected voltage is more than 5% above the nameplate voltage; nor to equipment improperly installed or wired or maintained in violation of the product's installation instructions. All claims for warranty work must be accompanied by proof of the date of installation.

The customer shall be responsible for all costs incurred in the removal or reinstallation of products, including labor costs, and shipping costs incurred to return products to Marley Engineered Products Service Center. Within the limitations of this warranty, inoperative units should be returned to the nearest Marley authorized service center or the Marley Engineered Products Service Center, and we will repair or replace, at our option, at no charge to you with return freight paid by Marley. It is agreed that such repair or replacement is the exclusive remedy available from Marley Engineered Products.

THE ABOVE WARRANTIES ARE IN LIEU OF ALL OTHER WARRANTIES EXPRESSED OR IMPLIED, AND ALL IMPLIED WARRANTIES OF MERCHANTABILITY AND FITNESS FOR A PARTICULAR PURPOSE WHICH EXCEED THE AFORESAID EXPRESSED WARRANTIES ARE HEREBY DISCLAIMED AND EXCLUDED FROM THIS AGREEMENT. MARLEY ENGINEERED PRODUCTS SHALL NOT BE LIABLE FOR CONSEQUENTIAL DAMAGES ARISING WITH RESPECT TO THE PRODUCT, WHETHER BASED UPON NEGLIGENCE, TORT, STRICT LIABILITY, OR CONTRACT.

Some states do not allow the exclusion or limitation of incidental or consequential damages, so the above exclusion or limitation may not apply to you. This warranty gives you specific legal rights, and you may also have other rights which vary from state to state.

For the address of your nearest authorized service center, contact Marley Electric Heating in Bennettsville, SC, at 1-800-642-4328. Merchandise returned to the factory must be accompanied by a return authorization and service identification tag, both available from Marley Engineered Products. When requesting return authorization, include all catalog numbers shown on the products.

HOW TO ORDER REPAIR PARTS

In order to obtain any needed repair or replacement parts, warranty service or technical information, please contact Marley Engineered Products Service Center toll-free by calling 1-800-642-HEAT.



470 Beauty Spot Rd. East
Bennettsville, SC 29512 USA