

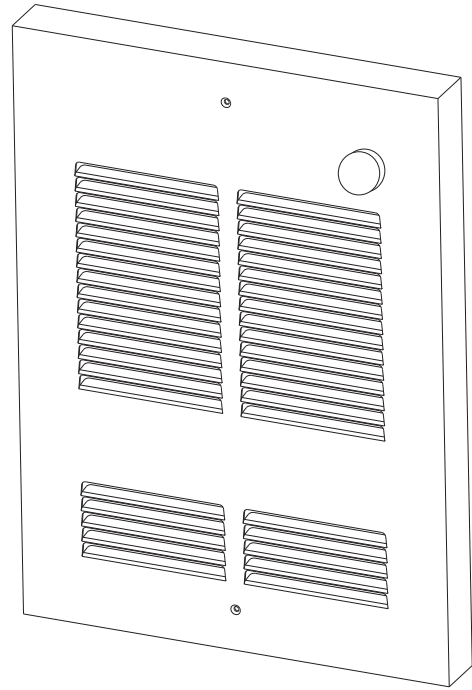


Marley

Engineered Products



D Series Fan Forced Wall & Ceiling Heaters



Installation & Maintenance Instructions

Dear Owner,

Congratulations! Thank you for purchasing this Marley Engineered Products product. You have made a wise investment selecting the highest quality product in the heating industry. Please carefully read the installation and maintenance directions shown in this manual. You should enjoy years of efficient heating comfort with this product from Marley Engineered Products... the industry's leader in design, manufacturing, quality and service.

*... The Employees of
Marley Engineered Products*



WARNING



Read Carefully - These instructions are written to help you prevent difficulties that might arise during installation. Studying the instructions first may save you considerable time and money later. Observe the following procedures, and cut your installation time to a minimum. **TO REDUCE RISK OF FIRE OR ELECTRIC SHOCK:**

1. Disconnect all power coming to heater at main service panel before wiring or servicing.
2. All wiring must be in accordance with National and Local Electrical Codes and the heater must be grounded.
3. Verify the power supply voltage coming to heater matches the ratings printed on the heater nameplate before energizing.
4. This heater is hot when in use. To avoid burns, do not let bare skin touch hot surfaces.
5. Do not insert or allow foreign objects to enter any ventilation or exhaust opening as this may cause an electric shock, fire, or damage to the heater.
6. Do not block air intakes or exhaust in any manner. Keep combustible materials, such as crates, drapes, etc., away from heater. Do not install behind doors, furniture, towels, or boxes. Do not install in ceiling at wattage greater than 1000.
7. A heater has hot and arcing or sparking parts inside. Do not use it in areas where gasoline, paint, or flammable liquids are used or stored.
8. Use this heater only as described in this manual. Any other use not recommended by the manufacturer may cause fire, electric shock, or injury to persons.
9. This heater is not approved for use in corrosive atmospheres such as marine, green house, or chemical storage areas.

SAVE THESE INSTRUCTIONS



CAUTION

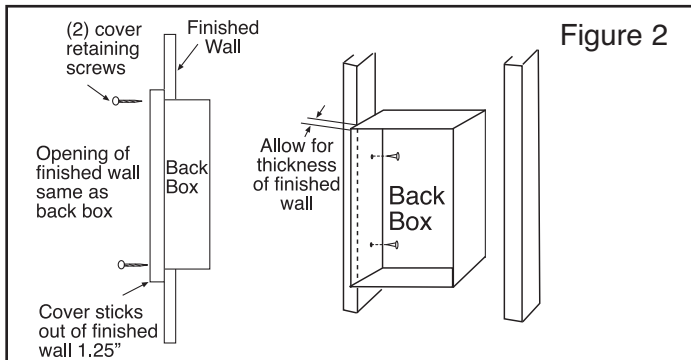
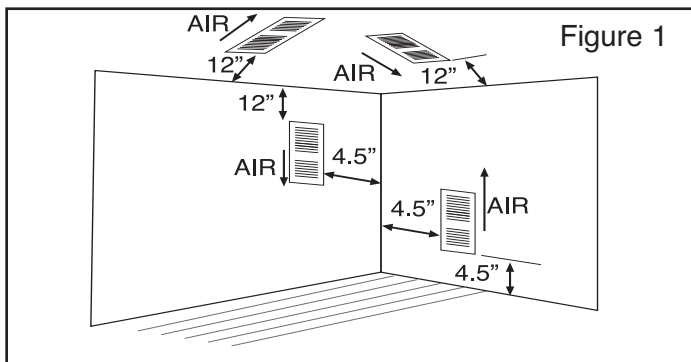
TO REDUCE RISK OF FIRE, ELECTRIC SHOCK, OR DAMAGE TO HEATER, OBSERVE THE FOLLOWING:

1. Do not install heater without backbox.
2. Observe the following minimum clearances:
 For wall mounting:
 Heater to floor - 4.5" (114 mm)
 Heater to any adjacent surface - 4.5" (114 mm)
 Heater to ceiling - 12" (305 mm)
 For ceiling mounting:
 Heater to adjacent wall - 12" (305 mm)
3. The heater is hot when in use. Do not install heater behind door, behind towel rack, in closet, where curtains or drapes could touch or be damaged by the heat.
4. Keep electrical cords, bedding, furniture, and other combustibles away from heater.

The D-Series heaters are designed for recessed installation in 2 x 4 or larger wall studs or ceiling joists using the model D-BB back box with the discharge grille (the smaller grille) to the top or bottom (see Figure 1). The heater may be wired using standard building (60 degrees C minimum) wire. Refer to the specification chart for appropriate wire size for the heater to be used.

All units in the D series rated 1000 watts and less may be installed recessed in the ceiling. If installed in the ceiling the heater may be oriented in any direction.

Heaters are also approved for surface mounting on walls or ceilings. Refer to instructions for installation of the DSMK Surface Mounting Frame.



INSTALLATION OF BACK BOX IN NEW CONSTRUCTION

NOTE A: If the finished wall is already up, follow instructions for "INSTALLATION OF BACK BOX IN EXISTING CONSTRUCTION."

1. Determine which side of the back box is to be mounted against a stud or ceiling joist. (see Figure 2). Allow for the thickness of the finished surface when installing the back box. The edge of the back box must be installed flush with the finished surface. Markings on the side of the back box for 1/2" or 5/8" finishing wall are provided .
2. Remove fan deck from back box by removing 2 screws.
3. Position the back box on the stud or joist location desired and secure using two nails or screws as shown in figure 2.
4. Remove one knockout in the back box for entry of supply wiring cable.

5. Bring power supply wiring cable to the back box. Install a cable clamp and install into the back box, leaving at least 6" (152mm) of cable inside the back box for connection to the heater lead wires.

NOTE B: Lead holes for a #8 sheet metal screw have been provided in the



CAUTION

AN ELECTRICAL SHOCK, FIRE, OR WATER DAMAGE COULD RESULT IF WIRING OR PIPING IS DAMAGED DURING CUTTING. MAKE SURE ALL WIRING AND PIPING ARE CLEAR OF AREA BEFORE CUTTING.

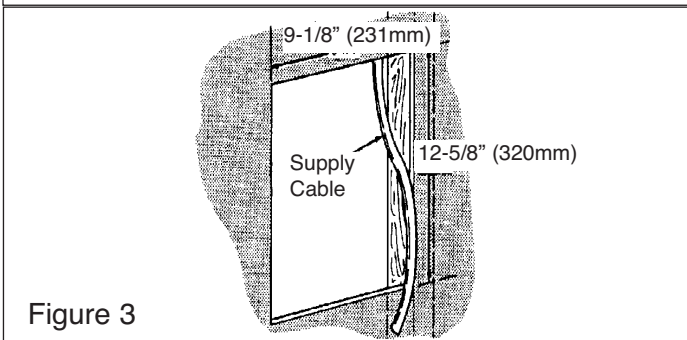
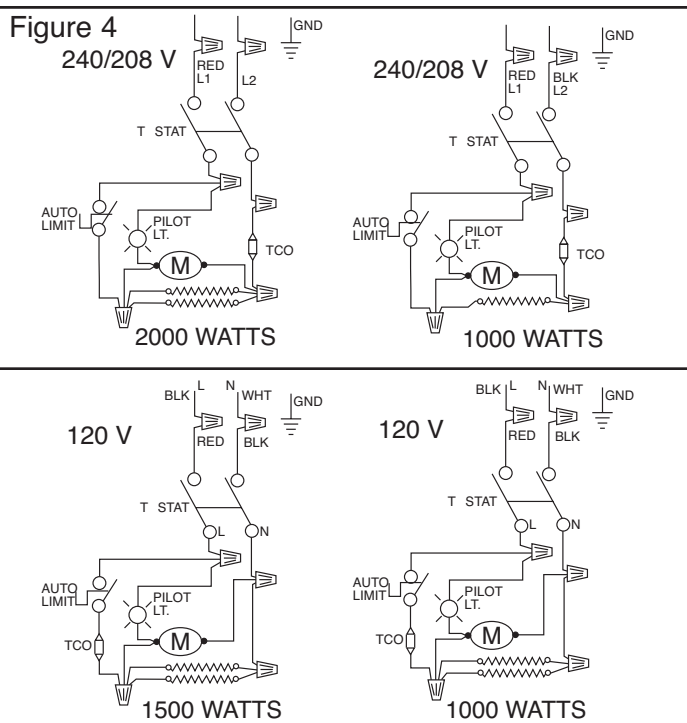


Figure 3

sides of the back box. (See Figure 2).

INSTALLATION OF BACK BOX IN EXISTING CONSTRUCTION

1. Determine which side of the back box is to be mounted against a wall stud or ceiling joist. See Figure 2.
2. Carefully mark and cut a hole in the wall or ceiling measuring 9-1/8" (231mm) wide by 12-5/8" (320mm) high with one side of the hole along the edge of a wall stud or ceiling joist. See Figure 3
3. Bring the power supply wiring cable to the heater mounting location, allowing approximately 10" (254mm) length for use in installation.
4. Remove fan deck from back box by removing 2 screws.
5. Remove knockout in the back box, install a cable clamp onto power supply cable and install the back box, leaving approximately 6" (152mm) of cable inside the back box for connection to the heater lead wires.
6. Fit the back box into the opening by sliding the supply wiring cable into position. Back box must be installed with front edge flush with the finished surface. Secure the back box to stud using two nails or screws. (See note B).



INSTALLATION OF HEATER ASSEMBLY INTO BACK BOX

1. Re-install fan deck using two screws.
2. Connect field supply wiring to heater pigtail leads (See figure 4).
Connect field ground wire to green ground lead wire.
3. Install front cover. Push on thermostat knob.

CAUTION

To insure proper grounding of heater and prevent a possible electric shock, the field supply ground wire must be attached to heater green ground lead wire.

CAUTION

To prevent possible wiring damage, cut excess supply wires inside backbox to provide approximately 6" (152 mm) for connection to heater leads. After connections are made, make sure connections are tight and all wiring is positioned away from fan blade and heating element.

CHECK OPERATION AND SET THERMOSTAT

1. Switch on power supply to heater.
2. Rotate thermostat knob fully clockwise. Heating element and fan should come on, causing warm air to flow from discharge grille.
3. Allow heater to operate until room is comfortable, then rotate thermostat counter-clockwise until thermostat clicks. The unit will continue to cycle on and off to maintain temperature.
4. Increase or decrease the setting as required until the desired room temperature is maintained.

For best results, the heater should be left "ON" constantly during the heating season as the thermostat, when properly set, will maintain the desired room temperature. In the counter-clockwise position, the heater will remain off. This unit was shipped with a plug button to render the thermostat tamper resistant. Remove the thermostat knob and insert plug button in clearance hole guide.

For ceiling mounted units, a remote wall mounted line voltage thermostat may be installed to control the unit. Follow instructions for the wall thermostat. Turn the thermostat knob on the unit to full clockwise position for maximum heat, remove the knob and insert plug button in clearance hole guide. Set your wall thermostat to desired set point.

SPECIFICATIONS

MODEL NO.	VOLTS	AMPS	WATTS	BTU/HR	WIRE SIZE
D1012C	120	8.3	1000	3413	14 awg
D1512	120	12.6	1500	5120	12 awg
D1024C	208	3.6	750	2560	14 awg
	240	4.2	1000	3413	14 awg
D2024	208	7.2	1500	5120	14 awg
	240	8.3	2000	6826	14 awg

OPERATION NOTICE

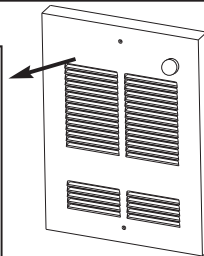
Your heater is equipped with an automatic reset limit control that will automatically turn the heater OFF to prevent a fire if the heater overheats. Should this occur, the indicator light will illuminate and will continue to shine until the limit resets.

CAUTION

THE ILLUMINATED INDICATOR LIGHT SIGNIFIES THE HEATER HAS BEEN SUBJECTED TO SOME ABNORMAL CONDITION CAUSING IT TO OVERHEAT. CHECK HEATER TO INSURE THAT IT HAS NOT BEEN BLOCKED IN ANY MANNER (IF SO, REMOVE BLOCKAGE). IF THERE IS NO INDICATION OF BLOCKAGE, IT IS RECOMMENDED THAT HEATER BE CHECKED BY A REPUTABLE ELECTRICIAN OR REPAIR SERVICE TO INSURE THE HEATER HAS NOT BEEN DAMAGED.

IMPORTANT INFORMATION

<p style="font-size: small; text-align: center;">Bennettsville, SC 29512 USA</p>	
MODEL <input type="text" value="D2024"/>	DATE <input type="text" value="MM-YY"/>
WATTS <input type="text" value="2000/1500"/>	VOLTS <input type="text" value="240/208"/>
AMPS <input type="text" value="8.3/7.2"/>	PH <input type="text" value="1"/> Hz <input type="text" value="60"/>



LIMITED WARRANTY

All products manufactured by Marley Engineered Products are warranted against defects in workmanship and materials for one year from date of installation. This warranty does not apply to damage from accident, misuse, or alteration; nor where the connected voltage is more than 5% above the nameplate voltage; nor to equipment improperly installed or wired or maintained in violation of the product's installation instructions. All claims for warranty work must be accompanied by proof of the date of installation.

The customer shall be responsible for all costs incurred in the removal or reinstallation of products, including labor costs, and shipping costs incurred to return products to Marley Engineered Products Service Center. Within the limitations of this warranty, inoperative units should be returned to the nearest Marley authorized service center or the Marley Engineered Products Service Center, and we will repair or replace, at our option, at no charge to you with return freight paid by Marley. It is agreed that such repair or replacement is the exclusive remedy available from Marley Engineered Products.

THE ABOVE WARRANTIES ARE IN LIEU OF ALL OTHER WARRANTIES EXPRESSED OR IMPLIED, AND ALL IMPLIED WARRANTIES OF MERCHANTABILITY AND FITNESS FOR A PARTICULAR PURPOSE WHICH EXCEED THE AFORESAID EXPRESSED WARRANTIES ARE HEREBY DISCLAIMED AND EXCLUDED FROM THIS AGREEMENT. MARLEY ENGINEERED PRODUCTS SHALL NOT BE LIABLE FOR CONSEQUENTIAL DAMAGES ARISING WITH RESPECT TO THE PRODUCT, WHETHER BASED UPON NEGLIGENCE, TORT, STRICT LIABILITY, OR CONTRACT.

Some states do not allow the exclusion or limitation of incidental or consequential damages, so the above exclusion or limitation may not apply to you. This warranty gives you specific legal rights, and you may also have other rights which vary from state to state.

For the address of your nearest authorized service center, contact Marley Engineered Products in Bennettsville, SC, at 1-800-642-4328.

Merchandise returned to the factory must be accompanied by a return authorization and service identification tag, both available from Marley Engineered Products. When requesting return authorization, include all catalog numbers shown on the products.

HOW TO OBTAIN WARRANTY SERVICE AND WARRANTY PARTS PLUS GENERAL INFORMATION

- | | |
|--------------------------------|--|
| 1. Warranty Service or Parts | 1-800-642-4328 |
| 2. Purchase Replacement Parts | 1-800-654-3545 |
| 3. General Product Information | www.marlymep.com |

Note: When obtaining service always have the following:

1. Model number of the product
2. Date of manufacture
3. Part number or description

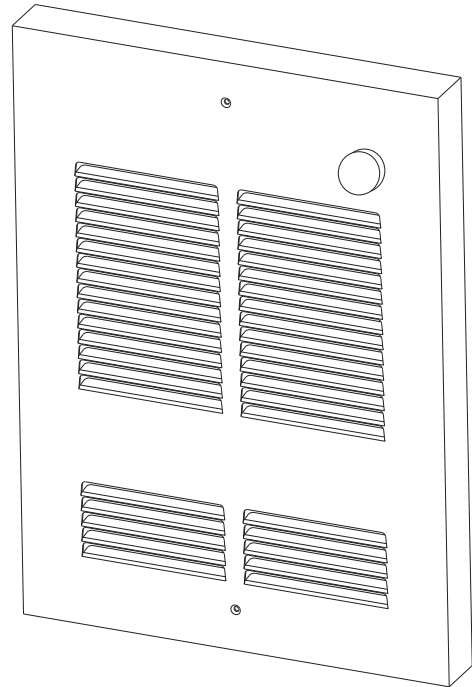


Marley
Engineered Products

470 Beauty Spot Rd. East
Bennettsville, SC 29512 USA



Calentadores de pared y cieloraso de tiro forzado Serie D



Instrucciones de instalación y mantenimiento

Estimado propietario:

¡Felicitaciones! Gracias por haber comprado este nuevo calefactor, fabricado por una división de Marley Engineered Products. Usted ha hecho una sabia inversión al seleccionar un producto de la más alta calidad de la industria de la calefacción. Por favor, lea atentamente las instrucciones de instalación y mantenimiento indicadas en este manual. Usted disfrutará de muchos años de confort de calefacción eficiente con este producto de Marley Engineered Products... líder de la industria en diseño manufacturación, calidad y servicio.

...Los empleados de Marley
Engineered Products



ADVERTENCIA



Leer cuidadosamente - Estas instrucciones están redactadas para ayudar a prevenir dificultades que pueden originarse durante la instalación. El estudiar primero las instrucciones puede ahorrar mucho tiempo y dinero después. Observar los procedimientos siguientes y disminuir al máximo el tiempo de instalación. **PARA REDUCIR EL RIESGO DE INCENDIO O CHOQUE ELECTRIC:**

1. Desconectar la electricidad entrante al calentador en el panel principal de servicio antes de conectar o prestar servicio.
2. Todo el cableado debe conformar con los Códigos Eléctricos y Nacionales y el calentador debe estar conectado a tierra.
3. Antes de activar, verificar que el voltaje de la electricidad de alimentación corresponda con las clasificaciones nominales impresas en la placa de especificaciones del calentador.
4. Este calentador está caliente al usar. Para evitar quemaduras, no permitir que la piel expuesta toque las superficies calientes.
5. No insertar ni permitir que objetos extraños entren en las aberturas de ventilación o escape ya que esto puede causar un choque eléctrico, incendio o daños al calentador.
6. No bloquear las tomas de aire o escapes. mantener los materiales combustibles tales como cajones, cortinados, etc., alejados del calentador. No instalar detrás de puertas, muebles, toallas o cajas. No instalar en el cieloraso a vatajes mayores de 1000.
7. Un calentador tiene partes calientes o productoras de arco eléctrico adentro. No usar en áreas donde se usan o almacenan gasolina, pintura o líquidos inflamables.
8. Usar este calentador de la manera descrita en este manual. Cualquier otro uso no recomendado por el fabricante puede causar incendio, choque eléctrico o lesiones a las personas.
9. Este calentador no está aprobado para usar en atmósferas corrosivas tales como marinas, de invernadero o áreas de almacenamiento químico.

GUARDAR ESTAS INSTRUCCIONES



PRECAUCION

PARA REDUCIR EL RIESGO DE INCENDIO, CHOQUE ELECTRICO O DAÑOS AL CALENTADOR, OBSERVAR LO SIGUIENTE:

- No instalar el calentador sin la caja posterior.
- Observar las distancias mínimas siguientes:
 Para montaje de pared
 Calentador a piso: 4.5" (114mm)
 Calentador a cualquier superficie adyacente: 4.5" (114mm)
 Calentador a cieloraso: 12" (305mm)
 Para montaje de cieloraso:
 Calentador a pared adyacente: 12"(305mm)
- El calentador está caliente cuando está en uso. No instalar el calentador detrás de puertas, toalleros, en closets, donde las cortinas o colgaduras puedan tocar o ser dañados por el calor.
- Mantener los cordones eléctricos, ropa de cama, muebles y otros combustibles, alejados del calentador.

Los calentadores de Serie D están diseñados para instalación empotrada en montantes grandes de pared de 2x4 o viguetas usando el modelo D-BB de caja posterior con la rejilla de descarga (la rejilla más pequeña) al tope o fondo (ver la Figura 1). El calentador puede cablearse usando cable estándar (60 grados C mínimo) de edificación. Para el tamaño apropiado del cable a usarse, referirse a la tabla de especificaciones.

Todas las unidades en la Serie D de clasificación nominal de 100 vatios o menos pueden instalarse empotradas en el cieloraso. Si se instala en el cieloraso, el calentador puede orientarse en cualquier dirección.

Los calentadores están aprobados también para montaje de superficie en paredes o cielorasos. Referirse a las instrucciones para instalar el Marco de Montaje de Superficie DSMK.

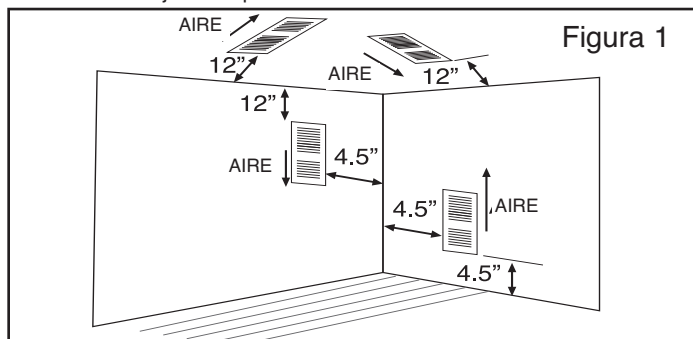


Figura 1

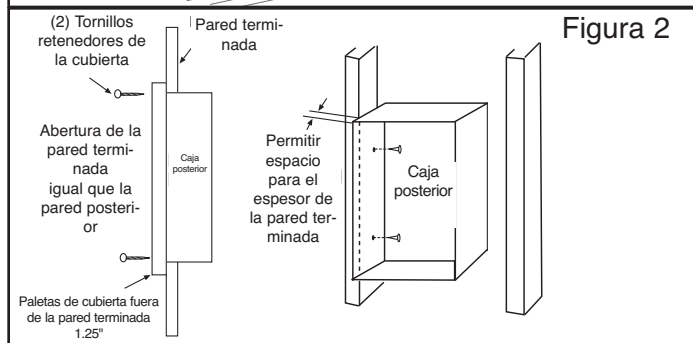


Figura 2

INSTALACION DE LA CAJA POSTERIOR EN NUEVA CONSTRUCCION

NOTA A: Si la pared terminada ya ha sido completada, seguir las instrucciones de "INSTALACION DE LA CAJA POSTERIOR EN CONSTRUCCION EXISTENTE."

- Determinar cuál lado de la caja posterior se va a montar contra un montante de pared o vigueta de cieloraso (ver la Figura 2). Al instalar la caja posterior, permitir espacio para el espesor de la pared terminada. El borde de la caja posterior debe instalarse al ras con la superficie terminada. Se proporcionan marcas en el lado de la caja posterior para paredes terminadas de 1/2" ó 5/8".
- Extraer la plataforma del ventilador de la caja posterior extrayendo 2 tornillos.
- Colocar la caja posterior en posición sobre la ubicación deseada del montante de pared o vigueta de cieloraso, y asegurar usando dos clavos o tornillos según se muestra en la Figura 2.
- Perforar uno de los orificios ciegos en la caja posterior para la entrada del cableado de alimentación.

- Traer el cableado de electricidad a la caja posterior. Instalar una mordaza de cable e instalar dentro de la caja posterior, dejando 6" (152mm) por lo menos de cable dentro de la caja posterior para conectar a los cables guía del calentador.

NOTA B: Se han provisto orificios guía para un tornillo No. 8 de lámina de metal, a los lados de la caja posterior (Ver la Figura 2).



PRECAUCION

PUEDO RESULTAR UN CHOQUE ELECTRICO, INCENDIO O DAÑOS POR AGUA SI EL CABLEADO O LA CAÑERIA RESULTA DAÑADA AL CORTAR. ASEGURARSE QUE TODO EL CABLEADO Y LA CAÑERIA ESTEN FUERA DEL AREA ANTES DE CORTAR.

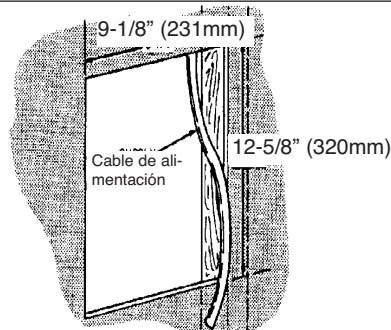
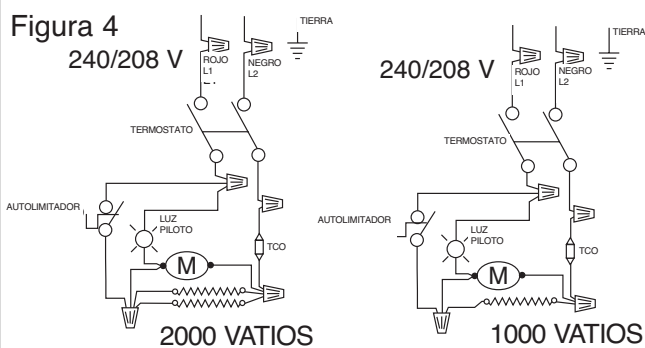


Figura 3

INSTALACION DE LA CAJA POSTERIOR EN CONSTRUCCION EXISTENTE

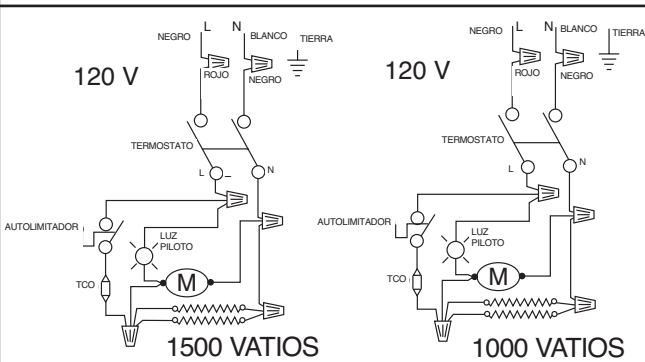
- Determinar cuál de los lados de la caja posterior se va a montar contra un montante de pared o vigueta de cieloraso. Ver la Figura 2.
- Marcar y cortar cuidadosamente en la pared o cieloraso midiendo 9-1/8" (231mm) de ancho por 12-5/8" (320mm) de alto con un lado del orificio a lo largo del borde del montante de pared o vigueta de cieloraso. Ver la Fig. 3.
- Traer el cableado de alimentación de electricidad a la ubicación de montaje del calentador, permitiendo 10" (254mm) aprox. de largo para usar en la instalación.
- Extraer la plataforma del ventilador de la caja posterior extrayendo los 2 tornillos.
- Perforar el orificio ciego en la caja posterior, instalar una mordaza de cable sobre el cable de alimentación de electricidad e instalar el cable dentro de la caja posterior, dejando 6" (152mm) aproximadamente de cable dentro de la caja posterior para conexión con los cables guía del calentador.
- Calzar la caja posterior dentro de la abertura deslizando el cableado de alimentación en posición. La caja posterior debe instalarse con el borde delantero al ras con la superficie terminada. Asegurar la caja posterior al montante usando dos clavos o tornillos. (Ver la Nota B)

Figura 4



2000 VATIOS

1000 VATIOS



120 V

120 V

1500 VATIOS

1000 VATIOS

INSTALACION DEL CONJUNTO DEL CALENTADOR DENTRO DE LA CAJA POSTERIOR

1. Reinstalar la plataforma del ventilador usando dos tornillos.
2. Conectar el cableado de alimentación de campo a las guías flexibles del calentador (Ver la Figura 4). Conectar el cable de conexión a tierra de campo al cable verde guía de conexión a tierra.
3. Instalar la cubierta delantera. Presionar la perilla del termostato.



El cable de alimentación de campo debe estar fijado al cable verde guía de conexión a tierra.



Para prevenir posibles daños al conexionado corte el exceso de longitud de los cables de alimentación dentro de la caja posterior, de manera de dejar aproximadamente 152 mm (6 pulgadas) para la conexión a los cables del calefactor. Después de haber hecho las conexiones, asegúrese de que estén firmes y de que todo el conexionado esté posicionado lejos de la paleta del ventilador y del elemento calefactor.

VERIFICAR LA OPERACION Y GRADUAR EL TERMOSTATO

1. Conectar la alimentación de electricidad al calentador.
2. Girar la perilla del termostato completamente a la derecha. Deben encenderse el elemento térmico y el ventilador, causando que el aire caliente fluya desde la rejilla de descarga.
3. Permitir que el calentador funcione hasta que el cuarto se sienta confortable, a continuación girar el termostato a la izquierda hasta que el termostato calce en su lugar. La unidad continuará ciclando entre encendido y apagado para mantener la temperatura.
4. Incrementar o disminuir la graduación según requerido hasta que se mantenga la temperatura deseada del cuarto.

Para obtener los mejores resultados, el termostato debe dejarse encendido ("ON") en todo momento durante la sesión de calefacción, ya que el termostato, cuando está bien graduado, mantendrá la temperatura deseada del cuarto. En la posición contraria a las agujas del reloj el calentador se mantendrá apagado. Esta unidad se envió con un botón de tapón para impedir la manipulación del termostato. Extraer la perilla del termostato e insertar el botón de tapón en la guía de separación del orificio.

Para las unidades montadas en el cieloraso, puede instalarse un termostato remoto de pared de voltaje de línea, para controlar la unidad. Seguir las instrucciones para el termostato de pared. Para obtener un efecto térmico máximo, girar completamente la perilla del termostato en el sentido de las agujas del reloj, extraer la perilla e insertar el botón de tapón en la guía de separación del orificio. Graduar el termostato de pared al punto deseado de control.

ESPECIFICACIONES

NO. DE MODELO	VOLTIOS	AMPS	VATIOS	BTU/HR	TAMAÑO DEL CABLE
D1012C	120	8.3	1000	3413	14 awg
D1512	120	12.6	1500	5120	12 awg
D1024C	208	3.6	750	2560	14 awg
	240	4.2	1000	3413	14 awg
D2024	208	7.2	1500	5120	14 awg
	240	8.3	2000	6826	14 awg

AVISO DE OPERACION

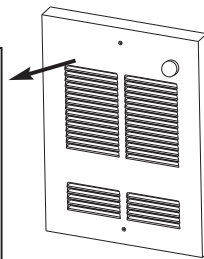
Su calentador está equipado con un control automático de regraduación que lo apaga automáticamente (OFF) para prevenir un incendio si el calentador se calienta excesivamente. So ocurriera esto, se ilumina la luz del indicador y continúa encendida hasta que el límite se regradúa.



LA LUZ ENCENDIDA DEL INDICADOR SIGNIFICA QUE EL CALENTADOR HA ESTADO SUJETO A ALGUNA CONDICION ANORMAL CAUSANDO QUE SE CALIENTE EXCESIVAMENTE. INSPECCIONAR EL CALENTADOR PARA ASEGURARSE QUE NO HA SIDO BLOQUEADO (DE SERLO ELIMINAR EL BLOQUEO). PARA ASEGURARSE QUE EL CALENTADOR NO HA SIDO DAÑADO, SE RECOMIENDA QUE EL MISMO SEA INSPECCIONADO POR UN ELECTRICISTA O SERVICIO DE REPARACIONES, DE BUENA REPUTACION.

INFORMACION IMPORTANTE

MODEL	<input type="text" value="D2024"/>	DATE	<input type="text" value="MM-YY"/>
VATIOS	<input type="text" value="2000/1500"/>	VOLTIOS	<input type="text" value="240/208"/>
AMP.	<input type="text" value="8.3/7.2"/>	PH	<input type="text" value="1"/> Hz <input type="text" value="60"/>



GARANTIA LIMITADA

Todos los productos fabricados por Marley Engineered Products se garantizan contra defectos en mano de obra y materiales por un año a partir de la fecha de instalación, excepto los elementos térmicos que están garantizados contra defectos en mano de obra y materiales por cinco años a partir de la fecha de instalación. Esta garantía no se aplica a daños causados por accidente, mal uso o alteración; ni tampoco donde el voltaje conectado es mayor de 5% del voltaje de la placa de nombre; ni al equipo instalado o cableado o mantenido impropriamente en violación de las instrucciones de instalación del producto. Todos los reclamos por trabajo de garantía deben estar acompañados por prueba de la fecha de instalación.

El cliente será responsable por todos los costos incurridos en la extracción o reinstalación de los productos, incluyendo costos de mano de obra y costos de transporte incurridos en devolver los productos al Centro de Servicio de Marley Engineered Products, y repararemos o reemplazaremos, a nuestra opción, sin cargo para Ud., con el flete de retorno pagado por Marley. Se acuerda en que tal reparación o reemplazo es el remedio exclusivo disponible de Marley Engineered Products.

LAS GARANTIAS DE ARRIBA SON A CAMBIO DE TODAS LAS OTRAS GARANTIAS EXPRESAS O IMPLICITAS Y TODAS LAS GARANTIAS EXPRESAS DE COMERCIALIZACION Y APTITUD PARA UN PROPOSITO PARTICULAR QUE EXCEDAN LAS GARANTIAS EXPRESAS MENCIONADAS PREVIAMENTE SON RECHAZADAS Y EXCLUIDAS DEL PRESENTE ACUERDO. MARLEY ENGINEERED PRODUCTS NO SERA RESPONSABLE POR PERJUICIOS CONSECUENTES ORIGINADOS CON RESPECTO AL PRODUCTO, YA SEA BASADO EN NEGLIGENCIA, LEY, RESPONSABILIDAD ESTRICTA O CONTRATO.

Algunos Estados no permiten la exclusión o limitación de perjuicios incidentales o consecuentes, de manera que la exclusión o limitación de arriba puede no aplicarse a Ud. Esta garantía le otorga derechos legales específicos, y Ud. también puede tener otros derechos que varían de Estado a Estado.

Consulte con Marley Engineered Products en Bennettsville, SC, al 1-800-642-4328, para la dirección de su centro autorizado de servicio más cercano. La mercadería devuelta a la fábrica debe estar acompañada por una autorización de devolución y una etiqueta de identificación de servicio, ambos disponibles de Marley Engineered Products. Incluya todos los números de catálogo mostrados en los productos, al requerir autorización de devolución.

COMO OBTENER SERVICIO EN GARANTIA, PIEZAS DE REPUESTO E INFORMACION GENERAL

1. Servicio o repuestos, en garantía: **1-800-642-4328**
2. Compra de piezas de repuesto: **1-800-654-3545**
3. Información general sobre productos: **www.marleymep.com**

Nota: Cuando solicite servicio, siempre dé la información que sigue:

1. Número de modelo del producto
2. Fecha de fabricación
3. Número de parte o descripción



Marley
Engineered Products

470 Beauty Spot Rd. East
Bennettsville, SC 29512 USA

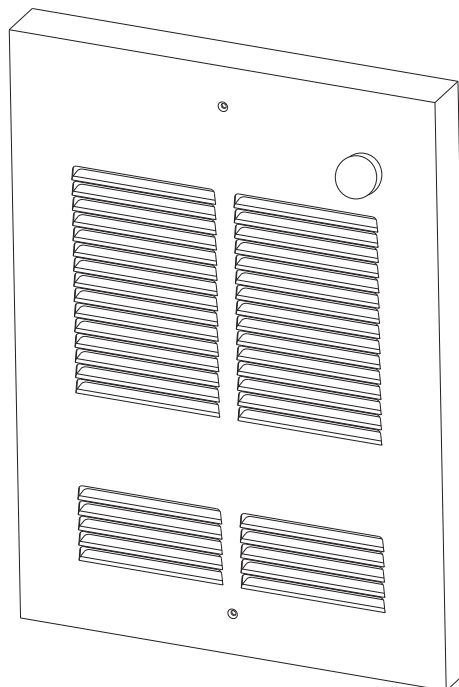


Marley

Engineered Products



Radiateurs muraux et de plafond à ventilation forcée Série D



Notice d'installation et d'entretien

Cher utilisateur,

Félicitations ! Nous vous remercions d'avoir fait l'acquisition de ce nouveau radiateur fabriqué par une division de Marley Engineered Products. Vous avez fait un bon investissement en choisissant un appareil de qualité imbattable. Veuillez lire attentivement et suivre scrupuleusement les consignes de ce manuel concernant l'installation et l'entretien. Nous sommes sûrs que vous bénéficierez de nombreuses années de confort grâce à cet appareil de chauffage efficace de Marley Engineered Products... le numéro 1 du secteur du chauffage en matière de conception, fabrication, qualité et service.

*...Les employés de
Marley Engineered Products*



À lire soigneusement – Ces instructions sont écrites pour vous aider à éviter les difficultés qui pourraient survenir lors de l'installation. En étudiant d'abord ces instructions vous pouvez économiser un temps considérable et de l'argent plus tard. Observez les procédures qui suivent et amenez votre temps d'installation à un minimum. **POUR RÉDUIRE LES RISQUES D'INCENDIE OU DE COMMOTION ÉLECTRIQUE :**

1. Débranchez toute alimentation allant au radiateur au niveau du panneau de distribution avant de câbler ou entretenir.
2. Réalisez tout le câblage en conformité avec les règlements nationaux et locaux et reliez le radiateur à la terre.
3. Vérifiez que la tension d'alimentation secteur arrivant au radiateur correspond à la prescription sur sa plaque d'identification avant de l'alimenter.
4. Le radiateur est chaud en fonctionnement. Pour ne pas vous brûler, ne laissez pas la peau nue toucher ses surfaces chaudes.
5. N'insérez pas et ne laissez pas pénétrer d'objet étranger dans une ouver-

ture de ventilation ou d'évacuation car cela pourrait causer une commotion électrique ou le feu, ou endommager le radiateur.

6. Ne bloquez en aucune manière les prises et évacuations d'air. Gardez les matériaux combustibles, comme emballages, tentures, etc ...loin du radiateur. Ne l'installez pas derrière porte, meuble, porte serviette ou coffret. Ne montez pas au plafond de radiateur de plus de 1 000 watt.
7. Un radiateur comporte des parties chaudes et susceptibles de provoquer arc ou étincelles électriques. Ne l'utilisez pas dans des zones où de l'essence, de la peinture, ou des liquides inflammables sont utilisés ou entreposés.
8. N'utilisez le radiateur que comme décrit dans ce manuel. Toute autre utilisation non recommandée par le constructeur peut provoquer incendie, électrocution ou dommages corporels.
9. Ce radiateur n'est pas approuvé pour une utilisation sous atmosphère corrosive comme l'air marin, l'intérieur d'une serre ou un entrepôt de produits chimiques.

CONSERVEZ CES INSTRUCTIONS



ATTENTION

POUR RÉDUIRE LES RISQUES D'INCENDIE, DE COMMOTION ÉLECTRIQUE OU DES DÉGÂTS DANS LE RADIATEUR, SUIVEZ CES RECOMMANDATIONS :

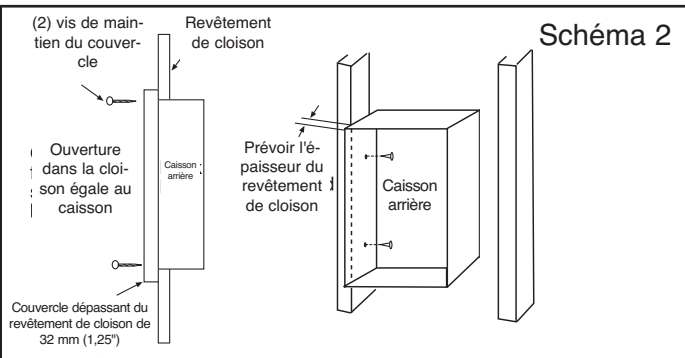
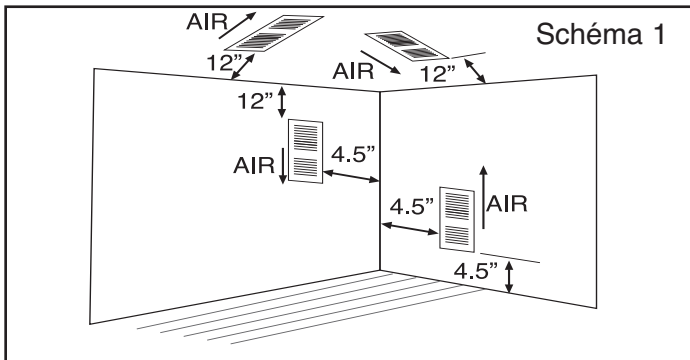
- N'installez pas le radiateur sans caisson arrière.
- Observez les espacements minimum suivants :
 - En montage mural :
 - Radiateur au plancher – 114 mm (4,5")
 - Radiateur à toute surface adjacente - 114 mm (4,5")
 - Radiateur à plafond – 305 mm (12")
 - En montage plafond :
 - Radiateur à mur adjacent - 305 mm (12")
- Le radiateur est chaud en fonctionnement. Ne l'installez pas derrière porte ou porte serviette ou dans un placard, ni où rideaux ou tentures pourraient le toucher ou être endommagés par la chaleur proche.
- Maintenez les câbles électriques, la literie, le mobilier et tout ce qui est combustible éloignés du radiateur.

Les radiateurs Série D sont conçus pour une installation encastrée entre des poteaux muraux de 2x4 pouces ou plus grands ou des solives de plafond en utilisant le caisson arrière modèle D-BB avec la grille de soufflage (la plus petite) en haut ou en bas (voir le Schéma 1). Le radiateur peut être alimenté en utilisant le câblage standard de bâtiment (minimum 60°C). Reportez-vous au tableau de spécifications pour trouver la taille de fil appropriée en fonction du modèle de radiateur.

Toutes les unités de la Série D de 1 000 watt et moins peuvent être installées encastrées dans le plafond. Quand il est au plafond le radiateur peut être orienté dans n'importe quelle direction.

Les radiateurs sont également approuvés pour être montés en surface au plafond ou sur les cloisons. Reportez-vous aux instructions d'installation du support de montage en surface DSMK.

INSTALLATION DU CAISSON ARRIÈRE DANS UNE



CONSTRUCTION NEUVE

NOTE A : Si le revêtement de la cloison est déjà posé, suivez les instructions dans "INSTALLATION DU CAISSON ARRIÈRE DANS UNE CONSTRUCTION TERMINÉE".

- Déterminez quel côté du caisson arrière sera monté contre le poteau de cloison ou la solive de plafond (voir Schéma 2). Laissez la place pour l'épaisseur du revêtement de surface en mettant le caisson en place. Le dessus du caisson doit affleurer le niveau qu'aura le revêtement posé. Des repères sur le caisson indiquent des épaisseurs de revêtement de 12,7 mm (1/2") et 15,9 mm (5/8").
- Démontez la plate-forme de ventilateur du caisson en enlevant les deux vis.
- Positionnez le caisson arrière contre le poteau ou la solive à l'endroit voulu et fixez-le en utilisant deux clous ou vis comme montré sur le Schéma 2.
- Libérez une entrée défonçable dans le caisson pour le passage du câble d'alimentation secteur.
- Amenez le câble d'alimentation secteur dans le caisson. Installez un collier de câble

et fixez-le dans le caisson, en laissant au moins 152 mm (6") de câble dans le caisson pour le raccordement sur les fils d'alimentation du radiateur.

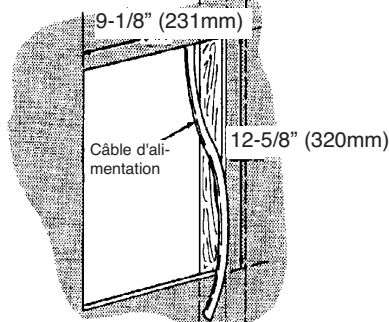
NOTE B : Des trous de passage pour vis de tôle #8 sont prévus sur les côtés du caisson arrière (Voir Schéma 2).



ATTENTION

UNE DÉCHARGE ÉLECTRIQUE, UN INCENDIE OU UNE FUITE D'EAU PEUVENT RÉSULTER D'UN DOMMAGE À UNE CONDUITE ÉLECTRIQUE OU UNE CANALISATION PENDANT LA DÉCOUPE. ASSUREZ-VOUS QU'IL N'Y A NI CONDUITE NI CANALISATION DANS LA ZONE À PERCER.

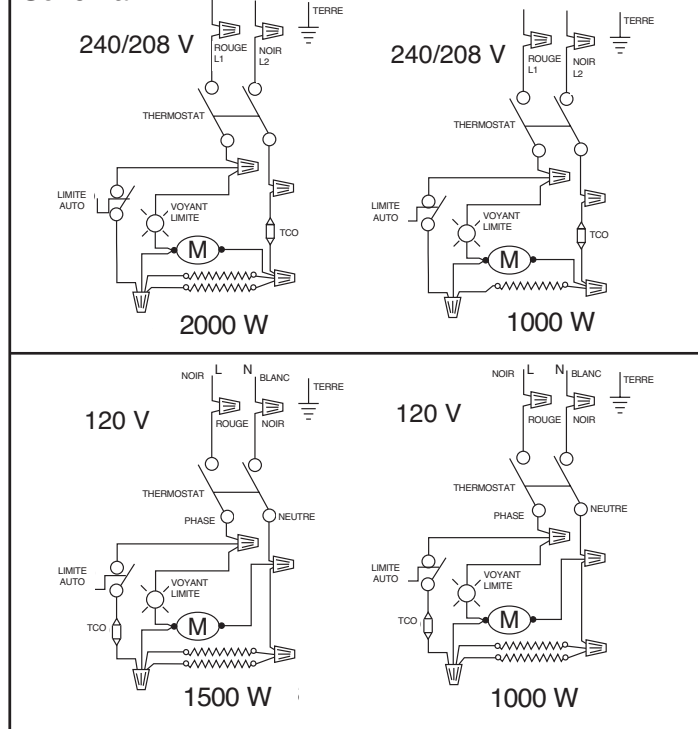
Schéma 3



INSTALLATION DU CAISSON ARRIÈRE DANS UNE CONSTRUCTION TERMINÉE

- Déterminez quel côté du caisson arrière sera monté contre le poteau de cloison ou la solive de plafond (voir Schéma 2).
- Marquez soigneusement puis percez une cavité dans la cloison ou le plafond mesurant 231 mm (9 1/8") de large sur 320 mm (12 5/8") de haut, avec un de ses côtés contre un poteau de cloison ou une solive de plafond (Voir Schéma 3).
- Amenez le câble d'alimentation électrique à l'emplacement du montage du radiateur, en lui laissant environ 254 mm (10") pour la suite de l'installation.
- Démontez la plate-forme de ventilateur du caisson en enlevant les deux vis.
- Libérez une entrée défonçable dans le caisson pour le passage du câble d'alimentation secteur. Installez le câble dans le caisson, en laissant au moins 152 mm (6") de câble dans le caisson pour le raccordement sur les fils d'alimentation du radiateur.
- Présentez le caisson arrière dans sa niche découpée en glissant le câble d'alimentation. Le caisson doit être installé avec son rebord avant affleurant la surface extérieure du revêtement. Fixez le caisson en utilisant deux clous ou vis (Voir Note B).

Schéma 4



INSTALLATION DE L'ASSEMBLAGE DE RADIATEUR DANS LE CAISSON ARRIÈRE

1. Remettez en place la plate-forme de ventilateur avec ses deux vis.
2. Reliez les arrivées du câble secteur aux terminaisons d'alimentation à queue de cochon (Voir le Schéma 4). Reliez le fil d'arrivée de terre au fil vert de masse du radiateur.
3. Installez le couvercle frontal. Appuyez sur le bouton de thermostat.



Pour assurer une bonne mise à la terre du radiateur et éviter une éventuelle commotion électrique, le fils d'arrivée de terre doit être relié au fil vert de masse du radiateur.



Pour éviter de possibles dommages au câblage, couper l'excédent de fils d'alimentation dans le boîtier arrière afin de n'en laisser qu'environ 152 cm (6") pour le raccordement avec les fils du chauffage. Une fois ces raccordements faits, s'assurer qu'ils sont bien serrés et que tout le câblage chemine à l'écart de la pale de ventilateur et de l'élément chauffant.

VÉRIFICATION DE FONCTIONNEMENT ET RÉGLAGE DU THERMOSTAT

1. Mettez le radiateur sous tension secteur.
2. Faites tourner le bouton du thermostat à fond dans le sens des aiguilles d'une montre. L'élément chauffant et le ventilateur doivent s'actionner, créant un flux d'air chaud en sortie de la grille de soufflage.
3. Laissez le radiateur fonctionner jusqu'à ce que la température ambiante soit agréable, puis ramenez le bouton du thermostat en sens contraire des aiguilles d'une montre jusqu'à l'audition d'un clic. L'appareil va seul se couper et se remettre en action pour maintenir la température du point de consigne.
4. Augmentez ou diminuez ce point de consigne pour obtenir la température ambiante voulue.

Pour les meilleurs résultats le radiateur doit être laissé en permanence en position de marche (ON) pendant la saison de chauffe, puisque le thermostat quand il est correctement réglé maintient la pièce à la température voulue. En position de thermostat à fond dans le sens inverse des aiguilles d'une montre le radiateur reste coupé. L'appareil est livré avec un bouchon pour rendre le réglage de thermostat inviolable. Enlevez le bouton du thermostat réglé et insérez le bouchon dans le guidage de trou de dégagement. Pour les appareils montés au plafond, un thermostat à distance alimenté par secteur peut être installé sur un mur pour contrôler le radiateur. Suivez les instructions pour ce thermostat mural. Tournez le thermostat d'origine du radiateur en position ouverte à fond pour un réglage de chaleur maximale, enlevez son bouton et mettez le bouchon dans le guidage de trou de dégagement. Réglez votre thermostat mural au point de consigne voulu.

SPÉCIFICATIONS

MODÈLE NO.	VOLTS.	AMPS.	WATTS	BTU/HR	DIM. CÂBLE
D1012C	120	8.3	1000	3413	14 awg
D1512	120	12.6	1500	5120	12 awg
D1024C	208	3.6	750	2560	14 awg
	240	4.2	1000	3413	14 awg
D2024	208	7.2	1500	5120	14 awg
	240	8.3	2000	6826	14 awg



REMARQUE SUR LE FONCTIONNEMENT

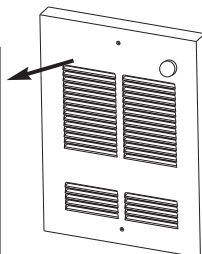
Votre radiateur est muni d'une coupure automatique sur contrôle de limite qui va arrêter automatiquement l'élément chauffant pour éviter une inflammation en cas de surchauffe. Si cela se produit le voyant indicateur s'allume et reste allumé jusqu'à ce que la température limite ne soit plus dépassée.



L'ÉCLAIRAGE DU VOYANT SIGNIFIE QUE LE RADIATEUR A ÉTÉ L'OBJET D'UNE CONDITION DE FONCTIONNEMENT ANORMAL AYANT ENTRAÎNÉ UNE SURCHAUFFE. VÉRIFIEZ LE RADIATEUR POUR VÉRIFIER QUE LA VENTILATION N'A PAS ÉTÉ BLOQUÉE D'UNE FAÇON OU D'UNE AUTRE (ET ENLEVEZ LE BLOCAGE S'IL Y A LIEU). S'IL N'Y A PAS DE RAISON MÉCANIQUE VISIBLE IL EST RECOMMANDÉ DE FAIRE VÉRIFIER LE RADIATEUR PAR UN ÉLECTRICIEN COMPÉTENT OU UN SERVICE DE RÉPARATION POUR VÉRIFIER QUE L'APPAREIL N'A PAS ÉTÉ ENDOMMAGÉ.

INFORMATIONS IMPORTANTES

 Marley Engineered Products Bennettsville, SC 29512 USA	
MODÈLE <input type="text" value="D2024"/>	DATE <input type="text" value="MM-YY"/>
WATTS <input type="text" value="2000/1500"/>	VOLTS <input type="text" value="240/208"/>
AMPS <input type="text" value="8.3/7.2"/>	PH <input type="text" value="1"/> Hz <input type="text" value="60"/>



GARANTIE LIMITÉE

Tous les produits visés par ces instructions sont garantis contre les vices de fabrication et de matériau pour une durée de 1 an à compter de la date d'installation, à l'exception des éléments chauffants qui sont garantis contre tout vice de fabrication ou de matériau pour une durée de cinq ans à compter de la date d'installation. Cette garantie ne s'applique pas dans le cas de dommage attribuable à un accident, un mauvais usage ou une modification. La garantie ne s'applique pas non plus si la tension d'utilisation est supérieure de 5% à la tension indiquée sur la plaque signalétique, ni si l'installation, le câblage ou l'entretien de l'appareil ne sont pas conformes aux instructions contenues dans ce feuillet. Toute demande en vertu de la garantie doit être accompagnée d'une preuve d'achat montrant la date.

Le client assume tous les frais associés à l'enlèvement ou à la réinstallation du produit, y compris les frais de main-d'œuvre et les frais d'envoi des produits à un centre de service Marley Engineered Products. En vertu de cette garantie, les appareils défectueux devraient être retournés au centre du service Marley le plus près ou à Marley Engineered Products Service Center, et nous réparerons ou remplacerons l'appareil, à notre choix, sans frais. L'appareil vous sera retourné sans frais. Il est entendu que la réparation ou le remplacement sont les seules solutions offertes par Marley.

CETTE GARANTIE REMPLACE TOUTE AUTRE GARANTIE CLAIREMENT EXPRIMÉE OU SOUS-ENTENDUE ET TOUTE GARANTIE SOUS-ENTENDUE AYANT TRAIT À L'APPLICATION DU PRODUIT À UNE UTILISATION AUTRE QUE CELLE INDIQUÉE DANS LA GARANTIE QUI PRÉCÈDE EST SANS VALEUR ET N'EST PAS VISÉE PAR LA PRÉSENTE ENTENTE. MARLEY ENGINEERED PRODUCTS N'EST PAS RESPONSABLE DES DOMMAGES AU PRODUIT RÉSULTANTS D'UNE NÉGLIGENCE, D'UN TORT, D'UNE RESPONSABILITÉ STRICTE OU DU CONTRAT.

Certaines provinces interdisent la restriction quant à la responsabilité. Il est donc possible que la restriction qui précède ne s'applique pas dans votre cas. Cette garantie vous confère des droits spécifiques. Il est possible que vous ayez d'autres droits, ces derniers varient selon les provinces.

Pour obtenir l'adresse du centre de service le plus près de chez vous, communiquez avec Marley Engineered Products, Bennettsville, SC, USA au 1-800-642-4328. Tout produit retourné à l'usine doit être accompagné d'une autorisation de retour et d'un bon d'indentification. Vous pouvez vous procurer ces documents à l'adresse qui précède. Au moment de demander une autorisation de retour, assurez-vous d'indiquer toutes les références au catalogue qui figurent sur le produit.

COMMENT OBTENIR DES INFORMATIONS GÉNÉRALES ET DEMANDER UNE RÉPARATION OU DES PIÈCES SOUS GARANTIE

- | | |
|--|--|
| 1. Réparations et pièces sous garantie | 1-800-642-4328 |
| 2. Achat de pièces de rechange | 1-800-654-3545 |
| 3. Informations générales sur les produits | www.marlymep.com |

Remarque : Lorsque vous demandez de l'assistance, ayez toujours en main

1. Le numéro de modèle du produit
2. La date de fabrication
3. Numéro ou description de la pièce



Marley
Engineered Products

470 Beauty Spot Rd. East
Bennettsville, SC 29512 USA