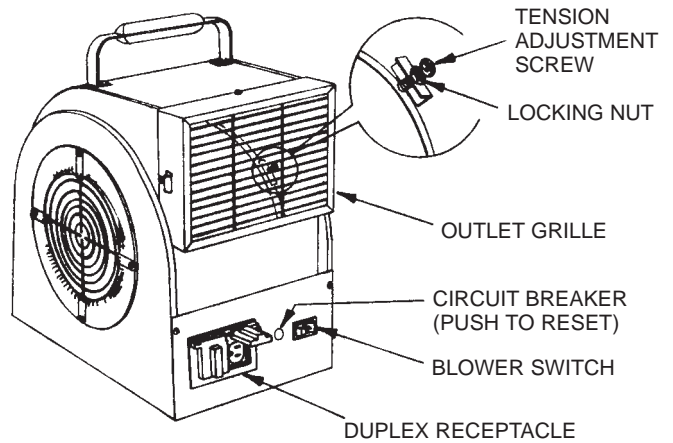


READ AND SAVE THESE INSTRUCTIONS.



SUPER CAT® Model 1200XL

INPUT	MOTOR	OUTLET	BLOWER	
			HIGH	LOW
115-120	4.0 AMPS	120 VOLTS 8 AMPS 960 WATTS MAX.	1120 CFM	877 CFM

WARNING

WARNING: To prevent the risk of electrical shock, fire, or injury to personnel, unplug from power supply before servicing, cleaning or oiling motor. Grilles must be reinstalled if removed for any reason before operating unit. **DO NOT** exhaust explosive or flammable air mixtures. **DO NOT** use this fan with any Solid-State speed control device.

GENERAL

The Super Cat® has been designed and constructed with maximum consideration for the needs of electricians, plumbers, technicians and other craftsmen who must at times, perform jobs in extreme heat, inadequate ventilation, and without auxiliary power.

The Super Cat® with its 25' heavy duty cord furnishes a cooling flow of air, adjustable to the specific work area; and a duplex receptacle which makes available up to 8 amps (@ 120 volts) of electrical power in the immediate work area. Electrical tools such as drills, saws, grinders, soldering irons, etc., may be operated from the Super Cat®, eliminating the need for multiple extension cords.

OVER-CURRENT PROTECTION:

The Super Cat® is provided with a built-in duplex receptacle which is protected with a circuit breaker to prevent overloading the branch circuit. All accessories that are to be plugged into the receptacle must not exceed a total current of 8 amps or the built-in circuit breaker will trip. **TO RESET**, turn off unit, unplug accessory from Super Cat® outlet, and push RESET button.

TIPS ON USING

Adjust elevation of air flow by moving carrying handle forward or backward. Air discharge direction can be adjusted through an arc of approximately 110° from vertical. The blower is designed to remain in the position in which it is placed. If the blower moves too easily, the two (2) tension adjustment screws within the blower housing can be tightened. To adjust the screws remove the outlet grille, loosen the locking nuts and snug the tension adjustment screw on each side. **NOTE: DO NOT TIGHTEN TOO MUCH, AS BLOWER HOUSING MAY THEN BE DIFFICULT OR IMPOSSIBLE TO BE ADJUSTED.** Tighten locking nuts. See figure above.

DOS & DON'TS

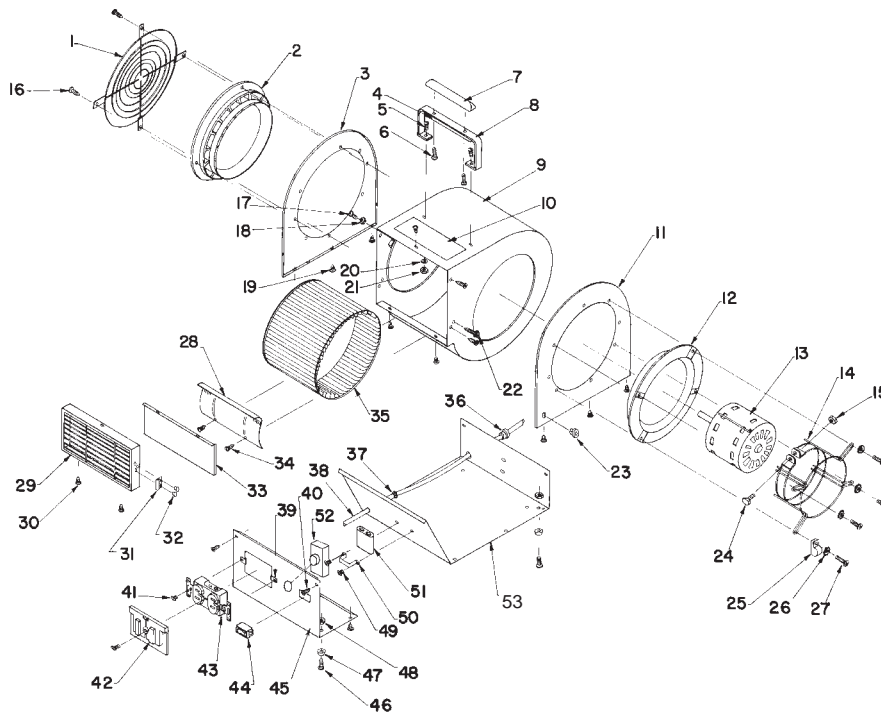
DO handle the Super Cat® as you would any other fine electrical power tool.

DO keep clean. Blowing out the motor, blower housing, and impeller occasionally with compressed air will prolong life and permit more efficient air delivery.

DON'T overload the electrical outlet. Loads plugged into the outlet should not exceed a total of 8 amps.

DON'T use the Super Cat® in wet locations.

DO oil the motor bearing with a few drops of SAE-20 oil at 6-month intervals. **DO NOT OVER OIL.**



REF. NO.	DESCRIPTION	QTY.	REF. NO.	DESCRIPTION	QTY.	REF. NO.	DESCRIPTION	QTY.
1	+ Guard, Intake	1	19	* Screw, 8AB x 3/8	8	37	+ Bushing, Snap	1
2	+ Venturi	1	20	* Washer Plain, 3/16 I.D.	2	38	+ Extension Cord	1
3	+ Panel, Left Side	1	21	* Nut, Kep, Hex, 8-32	2	39	+ Clip, Speed	2
4	+ Handle, Bottom	1	22	* Screw, 6AB x 5/8	2	40	* Screw, 8AB x 3/8	4
5	* Screw 8-32 x 1/2	2	23	+ Grommet, Strain Relief	1	41	* Screw, 6B x 3/8	2
6	* Wood Screw, No. 6 x 3/4	2	24	* Screw, 1/4-20 x 1 1/2	1	42	+ Cover Outlet	1
7	+ Handle, Top	1	25	+ Clamp, Cable	1	43	Receptacle, Duplex	1
8	+ Strap, Carrying	1	26	* Washer, Lock, 1/4 I.D.	4	44	Switch	1
9	+ Housing, Blower Assembly	1	27	* Screw, 1/4-20 x 3/4	4	45	+ Panel, Control	1
10	+ Decal, Label	1	28	+ Baffle	1	46	* Screw, 8-32 x 1/2	4
11	Panel, Right Side	1	29	+ Grille Assembly	1	47	Bumper, Rubber	4
12	+ Venturi	1	30	* Screw, 8AB x 3/8	9	48	* Nut, Kep, Hex, 8-32	4
13	Motor	1	31	+ Strike	2	49	* Screw, 8AB x 1/4	2
14	+ Mount, Motor	1	32	+ Rivet	4	50	+ Bracket, Capacitor	1
15	* Nut, Hex, 1/4-20	1	33	+ Panel, Front	1	51	Capacitor, 5 MFD, 370V	1
16	* Screw, 8AB x 5/8	4	34	* Screw, 8AB x 3/8	2	52	Circuit Breaker	1
17	* Screw, 8-32 x 1	2	35	Impeller	1	53	+ Frame	1
18	* Nut, Kep, Hex 8-32	2	36	+ Grommet, Strain Relief	1	54	† Instruction Sheet	1

* STANDARD HARDWARE ITEM, AVAILABLE LOCALLY + NOT AVAILABLE AS A REPLACEMENT PART † ITEM NOT SHOWN

LIMITED WARRANTY

Dear Customer,

Thank you for your interest in Marley Engineered Products ventilator. We're sure you will enjoy its benefits for many years to come. Please take a minute to fill out the following information and keep it in your permanent records.

Date Purchased _____ Date Installed _____

Model Number _____

LIMITED WARRANTY

This Marley Engineered Products ventilator is warranted to be free of defects in material and workmanship for 12 months from date of original purchase.

There is no other warranty, express or implied, except such as is expressly set forth herein. Seller will not be liable for any general, consequential, or incidental damages, including without limitation any damages for loss of use or loss of profits, for any breach of warranty or for negligence. Seller's liability and buyer's exclusive remedy are limited to the repair of defective goods or the shipment of equivalent goods, or the granting of a reasonable allowance on account of any defects, as the seller may elect.

To obtain performance under this warranty, you must:

- Contact the Marley Engineered Products Service Department at 1-800-642-HEAT between the hours of 8:00 a.m. and 5:00 p.m. E.S.T. Monday through Friday.
- Provide the model number of the product, the date of installation, and state the nature of the difficulty being experienced.

- The Marley Engineered Products Service Representative will determine the best way to resolve the difficulty.

Products within warranty which have been installed and returned to the seller for repair will be repaired and returned as used products. Repairs to products outside the warranty period will be subject to labor and parts charges.

Some states have enacted legislation which (a) does not allow the inclusion of limitations on incidental or consequential damages; (b) does not allow limitations on the length of a warranty period; (c) precludes exclusion, during the period of a limited warranty, of any implied warranties of merchantability or fitness for purpose.

To the extent of such provisions being applicable in your state, the limitations in this warranty may not apply.

TO ENSURE SAFE OPERATION

- Be sure that this unit is correctly installed and wired by a qualified installer in accordance with the instructions and applicable NEC or equivalent codes.
- Be sure that operating instructions are followed and that moving and heating parts are kept clean and free from obstructions.

Any warranties granted or liabilities assumed hereunder will not apply to goods that have been damaged in transit, altered, repaired, installed or operated otherwise than in conformity with the above requirements for safe operation.

HOW TO OBTAIN WARRANTY SERVICE AND WARRANTY PARTS PLUS GENERAL INFORMATION

- Warranty Service or Parts **1-800-642-4328**
- Purchase Replacement Parts **1-800-654-3545**
- General Product Information **www.marlymep.com**

Note: When obtaining service always have the following:

- Model number of the product
- Date of manufacture
- Part number or description

Part No. 5200-2613-001
ECR 37573
01/08



Marley
Engineered Products

470 Beauty Spot Rd. East
Bennettsville, SC 29512 USA