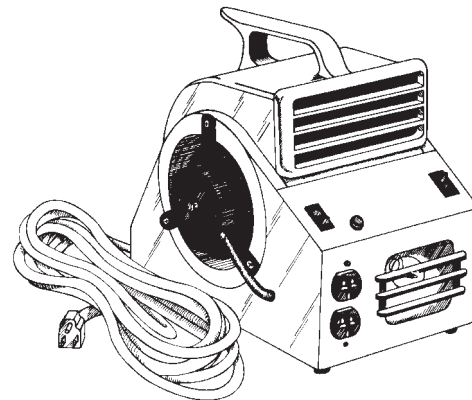


# READ AND SAVE THESE INSTRUCTIONS.



## THE POWER CAT Model A300

### SPECIFICATIONS

Input	Motor	Lamp	Outlet	Blower
115-120 Volts	2.0 Amps	40 Watt High Intensity S-11	120 Volts 8.0 Amps 960 Watts Max.	300 CFM

## *Operation & Maintenance Instructions*



**WARNING:** To prevent the risk of electrical shock, fire, or injury to personnel, unplug from power supply before servicing, cleaning, relamping, or oiling motor. Grilles must be reinstalled if removed for any reason before operating unit. **DO NOT** exhaust explosive or flammable air mixtures. **DO NOT** use this fan with any Solid-State speed control device.

### GENERAL

The Power Cat® has been designed and constructed with maximum consideration for the needs of electricians, plumbers, technicians and home craftsmen who must, at times, perform jobs in extremes of heat, with inadequate lighting, and without auxiliary power. These areas may include, but are not limited to attics, basements, closets, crawl spaces, garages, and similar confined spaces.

The Power Cat® with its 25' heavy duty cord furnishes a cooling flow of air, adjustable to the specific work area, a flood light, as well as a duplex receptacle which makes available up to 8.0 amps (@ 120 volts) of electrical current in the immediate work area. Electrical tools such as drills, saws, soldering irons, etc., may be operated from the Power Cat®, eliminating the need for multiple extension cords.

### TIPS ON USING

1. Adjust elevation of air flow by moving carrying handle forward or backward. Air direction can be changed from horizontal to vertical flow in this manner.
2. The 25' extension cord, when not in use, may be secured by wrapping around the blower and handle with the plug end tucked into the wrap.
3. The lamp is accessible for replacement by removing (2) screws holding the lamp guard in place. The guard may be reinstalled by aligning two studs with matching holes in panel and reinstalling screws. When replacing lamp, use only same type as originally installed. (40 Watt High Intensity Type S-11)

### OVER-CURRENT PROTECTION:

The Power Cat® is provided with a built-in duplex receptacle which is protected with a circuit breaker to prevent overloading the branch circuit. All accessories that are to be plugged into the receptacle must not exceed a total current of 8 amps or the built-in circuit breaker will trip. **TO RESET**, turn off unit, unplug accessory from Power Cat® outlet, and push RESET button.

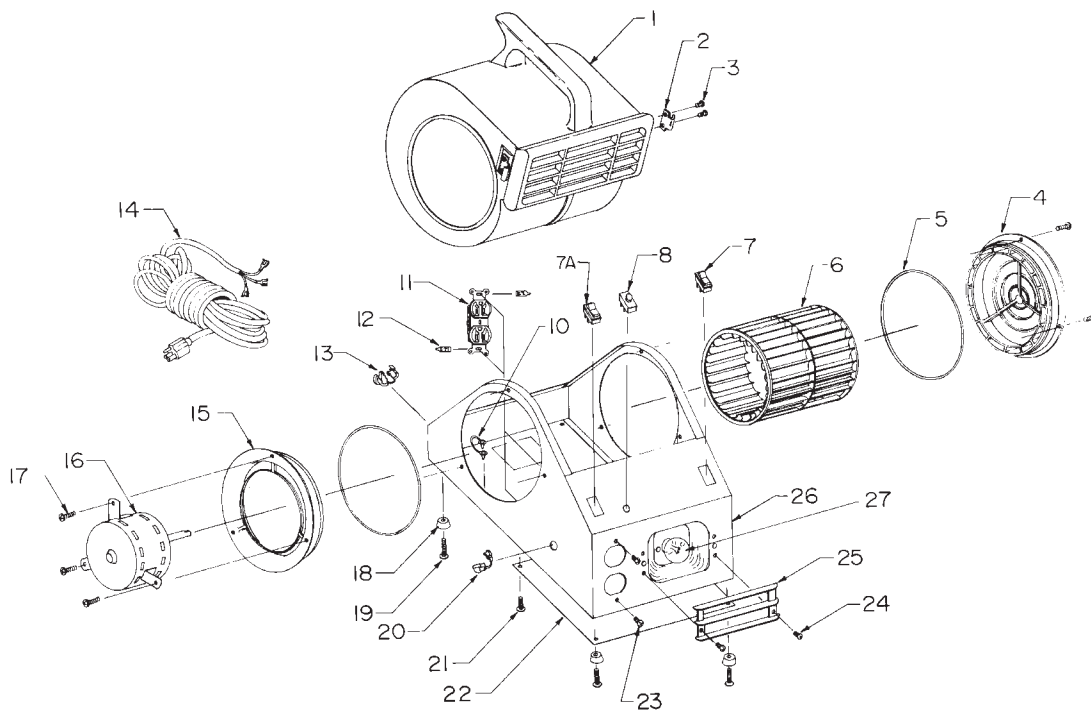
### DO'S & DON'TS

**Do handle** the Power Cat® as you would any other fine electrical power tool.

**Do keep** clean. Blowing out the motor, blower housing, and impeller occasionally with compressed air will prolong the life and permit more efficient air delivery. Keeping the lamp and reflector free of dust and dirt will also result in better light coverage.

**Don't overload** the electrical outlet. Loads plugged into the outlet should not exceed 8.0 amps.

**Don't use** the Power Cat® in wet locations.



REF NO.	DESCRIPTION	QTY	REF NO.	DESCRIPTION	QTY
1	+ Blower Housing	1	15	+ Venturi, Motor Side	1
2	+ Strike	2	16	Motor	1
3	* Screw, 8-18 x .375	4	17	* Screw, 8-18 x .375	6
4	+ Venturi, Inlet Side	1	18	Bumper, Rubber	4
5	+ Ring, "O"	2	19	* Screw, 8-18 x .375	4
6	+ Impeller	1	20	+ Strain Relief	1
7	Switch, SPST, Lamp	1	21	* Screw, 6-20 x .375	3
7A	Switch, SPST, Motor	1	22	+ Plate, Bottom	1
8	* Circuit Breaker	1	23	* Screw, 6-20 x .375	2
10	* Strap, Cable	1	24	* Screw, 6-20 x .313	2
11	+ Receptacle, Duplex	1	25	+ Guard, Lamp	1
12	+ Clip, Speed	2	26	+ Frame	1
13	+ Grommet, Strain Relief	1	27	* Bulb, 40W, Intermed. Base	1
14	+ Extension Cord	1	28	† Instruction Sheet	1

### LIMITED WARRANTY

Dear Customer,

Thank you for your interest in Marley Engineered Products ventilator. We're sure you will enjoy its benefits for many years to come. Please take a minute to fill out the following information and keep it in your permanent records.

Date Purchased \_\_\_\_\_ Date Installed \_\_\_\_\_

Model Number \_\_\_\_\_ Serial Number \_\_\_\_\_

#### LIMITED WARRANTY

This Marley Engineered Products ventilator is warranted to be free of defects in material and workmanship for 12 months from date of original purchase.

There is no other warranty, express or implied, except such as is expressly set forth herein. Seller will not be liable for any general, consequential, or incidental damages, including without limitation any damages for loss of use or loss of profits, for any breach of warranty or for negligence. Seller's liability and buyer's exclusive remedy are limited to the repair of defective goods or the shipment of equivalent goods, or the granting of a reasonable allowance on account of any defects, as the seller may elect.

To obtain performance under this warranty, you must:

- Contact the Marley Engineered Products Service Department at 1-800-642-HEAT between the hours of 8:00 a.m. and 5:00 p.m. E.S.T. Monday through Friday.
- Provide the model number of the product, the date of installation, and state the nature of the difficulty being experienced.

- The Marley Engineered Products Service Representative will determine the best way to resolve the difficulty.

Products within warranty which have been installed and returned to the seller for repair will be repaired and returned as used products. Repairs to products outside the warranty period will be subject to labor and parts charges.

Some states have enacted legislation which (a) does not allow the inclusion of limitations on incidental or consequential damages; (b) does not allow limitations on the length of a warranty period; (c) precludes exclusion, during the period of a limited warranty, of any implied warranties of merchantability or fitness for purpose.

To the extent of such provisions being applicable in your state, the limitations in this warranty may not apply.

#### TO ENSURE SAFE OPERATION

- Be sure that this unit is correctly installed and wired by a qualified installer in accordance with the instructions and applicable NEC or equivalent codes.
- Be sure that operating instructions are followed and that moving and heating parts are kept clean and free from obstructions.

Any warranties granted or liabilities assumed hereunder will not apply to goods that have been damaged in transit, altered, repaired, installed or operated otherwise than in conformity with the above requirements for safe operation.

### HOW TO OBTAIN WARRANTY SERVICE AND WARRANTY PARTS PLUS GENERAL INFORMATION

- Warranty Service or Parts **1-800-642-4328**
- Purchase Replacement Parts **1-800-654-3545**
- General Product Information **www.marleymep.com**

**Note:** When obtaining service always have the following:

- Model number of the product
- Date of manufacture
- Part number or description

Part No. 5200-2616-001  
ECR 37573  
01/08



**Marley**  
Engineered Products  
470 Beauty Spot Rd. East  
Bennettsville, SC 29512 USA