

IUH SERIES INDUSTRIAL UNIT HEATER



IDEAL SPACES

- Factories
- Warehouses
- Garages
- Public Buildings
- Stores
- Service Stations
- Maintenance Rooms
- Workshops
- Stairwells

COLORS

- Neutral Gray

DIMENSIONS

- Varies (see specifications)

TEMP RANGE

- 45°– 90°F

CFM

- 270-1800

- All motors and contactor coils are 240V and operate on the secondary of a factory-installed step-down power transformer on 480V and 600V heaters so a separate fan and motor control power source is not needed
- Automatic fan delay eliminates cold drafts on start-up and discharges residual heat from the heater body during shut down
- Steel fins are copper-brazed to low-watt density, steel-sheathed tubular heating elements
- 5 and 7.5 kW models also come equipped with ceiling mounting bracket for horizontal or vertical flow mounting or any position in between
- Uniform discharge of all heated air lowers internal operating temperatures and prolongs element life
- Cabinet is finished with a polyester powder coating for excellent corrosion resistance
- Element finished with aluminized paint for corrosion resistance
- Fins and elements are arranged in a uniform grid pattern and fit closely into air discharge area to assure that all incoming air passes through heating element
- High-limit cut-off automatically shuts off current in the event of overheating and reactivates unit when temperature returns to normal



IUH SERIES INDUSTRIAL UNIT HEATER

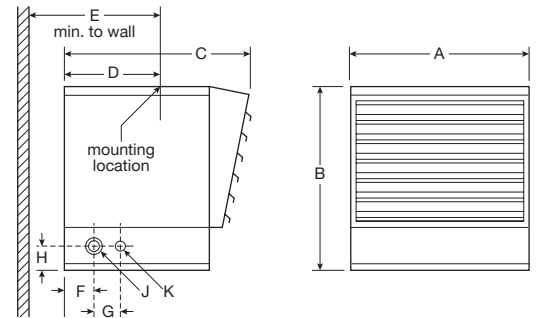
MODELS & SPECIFICATIONS

| CATALOG NO. | UPC | KW CAP. | BTU/HR. | HTR. VOLT | PHASE | THREADED ROD SIZE | HEATER 1 PH | AMPS 3 PH | HP OR WATTS | FAN & FAN MOTOR VOLTAGE | AIR MOTOR RPM | AIR VOL. CFM | TEMP. RISE | MAX THROW | MFG. HEIGHT | SHIP WT. (LBS) |
|-------------|------------------|---------|---------|-----------|-------|-------------------|-------------|-----------|-------------|-------------------------|---------------|--------------|------------|-----------|-------------|----------------|
| IUH520 | 6 85360 04196 4 | 5 | 17 | 208 | 1-3 | 1/2"-13 NC | 20.8 | 12.5 | 6.0W | 208 | 1400 | 270 | 60°F | 16' | 8' | 26 |
| IUH524 | 6 85360 04197 1 | 5 | 17 | 240 | 1-3 | 1/2"-13 NC | 24 | 13.8 | 6.0W | 240 | 1400 | 270 | 60°F | 16' | 8' | 26 |
| IUH548 | 6 85360 04202 2 | 5 | 17 | 480 | 1-3 | 1/2"-13 NC | 10.4 | 6 | 6.0W | 240 | 1400 | 270 | 60°F | 16' | 8' | 31 |
| IUH560 | 6 85360 04204 6 | 5 | 17 | 600 | 3 | 1/2"-13 NC | — | 4.8 | 6.0W | 240 | 1400 | 270 | 60°F | 16' | 8' | 31 |
| IUH720 | 6 85360 04207 7 | 7.5 | 25.6 | 208 | 1-3 | 1/2"-13 NC | 36.6 | 21.3 | 6.0W | 208 | 1400 | 270 | 85°F | 18' | 8' | 27 |
| IUH724 | 6 85360 04209 1 | 7.5 | 25.6 | 240 | 1-3 | 1/2"-13 NC | 31.3 | 18.1 | 6.0W | 240 | 1400 | 270 | 85°F | 18' | 8' | 27 |
| IUH748 | 6 85360 04212 1 | 7.5 | 25.6 | 480 | 1-3 | 1/2"-13 NC | 15.6 | 9 | 6.0W | 240 | 1400 | 270 | 85°F | 18' | 8' | 31 |
| IUH760 | 6 85360 04214 5 | 7.5 | 25.6 | 600 | 3 | 1/2"-13 NC | — | 7.2 | 6.0W | 240 | 1400 | 270 | 85°F | 18' | 8' | 31 |
| IUH1024 | 6 85360 04176 6 | 10 | 34.1 | 240 | 1-3 | 1/2"-13 NC | 41.7 | 25.7 | 1/10 HP | 240 | 1550 | 500 | 63°F | 20' | 9' | 62 |
| IUH1048 | 6 85360 04180 3 | 10 | 34.1 | 480 | 1-3 | 1/2"-13 NC | 21.6 | 12.8 | 1/10 HP | 240 | 1550 | 500 | 63°F | 20' | 9' | 72 |
| IUH1060 | 6 85360 04182 7 | 10 | 34.1 | 600 | 3 | 1/2"-13 NC | — | 9.6 | 1/10 HP | 240 | 1550 | 500 | 63°F | 20' | 9' | 72 |
| IUH1524 | 6 85360 04184 1 | 15 | 51.2 | 240 | 1-3 | 1/2"-13 NC | 64.1 | 37.7 | 1/10 HP | 240 | 1550 | 750 | 63°F | 28' | 11' | 68 |
| IUH1548 | 6 85360 04187 2 | 15 | 51.2 | 480 | 1-3 | 1/2"-13 NC | 32.1 | 18.8 | 1/10 HP | 240 | 1550 | 750 | 63°F | 28' | 11' | 78 |
| IUH1560 | 6 85360 04188 9 | 15 | 51.2 | 600 | 3 | 1/2"-13 NC | — | 14.5 | 1/10 HP | 240 | 1550 | 750 | 63°F | 28' | 11' | 80 |
| IUH2048 | 6 85360 04190 2 | 20 | 68.2 | 480 | 1-3 | 1/2"-13 NC | 42.5 | 24.8 | 1/10 HP | 240 | 1550 | 1000 | 63°F | 32' | 13' | 78 |
| IUH2060 | 6 85360 04191 9 | 20 | 68.2 | 600 | 3 | 1/2"-13 NC | — | 19.3 | 1/10 HP | 240 | 1550 | 1000 | 63°F | 32' | 13' | 80 |
| IUH2548 | 6 85360 04192 6 | 25 | 85.2 | 480 | 3 | 1/2"-13 NC | — | 31.1 | 1/3 HP | 240 | 1550 | 1300 | 61°F | 34' | 14' | 136 |
| IUH2560 | 6 85360 04193 3 | 25 | 85.2 | 600 | 3 | 1/2"-13 NC | — | 24 | 1/3 HP | 240 | 1550 | 1300 | 61°F | 34' | 14' | 142 |
| IUH3048 | 6 85360 04194 0 | 30 | 102.2 | 480 | 3 | 1/2"-13 NC | — | 36.9 | 1/3 HP | 240 | 1550 | 1800 | 53°F | 38' | 15' | 142 |
| IUH3060 | 6 85360 04195 74 | 30 | 102.2 | 600 | 3 | 1/2"-13 NC | — | 28.9 | 1/3 HP | 240 | 1550 | 1800 | 53°F | 38' | 15' | 142 |

ACCESSORIES

| CATALOG NO. | UPC | DESCRIPTION | SHIP WT. (LBS) |
|-------------|-----------------|--|----------------|
| CWB1A | 6 85360 01820 1 | Combination wall/ceiling bracket for 5KW thru 15KW units | 4 |
| CWB2A | 6 85360 15240 0 | Same as above but for 20KW thru 50KW units | 14 |
| UHTA1 | 6 85360 15243 1 | Single-Pole Thermostat kit 60-120°F temp.range for field installation | 1 |
| IUHDS30* | 6 85360 01995 6 | 3-pole power disconnect switch kit for field installation on all horizontal unit heaters rated 24 amps or less. | 1 |
| IUHDS63* | 6 85360 01996 3 | 3-pole power disconnect switch kit for field installation on all horizontal unit heaters 10KW and above rated 24 to 50 amps. | 1 |
| IUHSW | 6 85360 03672 4 | Summer-Winter Fan Switch Kit. Field installed. Provides summer fan operation. | 1 |

NOTE: When controls are to be factory-installed, list unit, control, and factory installation adder separately.



ACCESSORIES

| KW SIZE | A | B | C | D | E | F | G | H | J | K |
|---------|-----|---------|---------|----------|-----|--------|--------|--------|----------------|------------------------|
| 5-7.5 | 14" | 12-1/2" | 12-3/8" | 5-1/2" | 13" | 1-3/4" | 1-3/8" | 1-1/2" | (2) 1/2", 3/4" | 1/2" |
| 10-20 | 18" | 18" | 17-1/2" | 9-15/32" | * | 2" | 2-1/2" | 2-1/4" | (2) 3/4", 1" | (3) 1", 1 1/4", 1-1/2" |
| 25-30 | 26" | 24" | 23-1/8" | 9-15/32" | 20" | 2" | 2-3/4" | 2-1/4" | (2) 1", 1 1/2" | (3) 1", 1-1/2", 2" |

NOTE: 13 in. for 10-15 kW units; 16 in. for 20 kW unit. 5 kW and 7.5 kW can be used in horizontal vertical position. Heaters come equipped with ceiling mounting bracket for horizontal or vertical flow mounting or any position between.