



3-Phase Electrically Heated 1/2 HP Air Curtain Series

PROJECT _____	ENGINEER _____	CONTRACTOR _____	SHEET ____ OF ____
LOCATION _____	ARCHITECT _____	DATE _____	DRAWING NO. _____

MOTOR / FAN DATA														
MARK	HEATED MODEL NUMBER	QTY.	NOZZLE WIDTH (IN)	(#) VOLTS 3-PHASE	(++) HEATER INPUT (KW)	BTU/HR SEE CHART	NUMBER OF MOTORS, HP @ 1725 RPM	NUMBER OF CABINETS	CONTROL VOLTS	MAX VEL (FPM)	AVG VEL (FPM)	AIRFLOW (CFM)	APPROX. WEIGHT (LBS)	REMARKS
	E36++1#50HE		36				1 @ 1/2	1	24	3800	3040	2460	93	
	E42++1#50HE		42				1 @ 1/2	1	24	3800	2890	2730	98	
	E48++1#50HE		48				1 @ 1/2	1	24	3800	2815	3040	105	
	E60++1#50HE		60				1 @ 1/2	1	24	3800	2740	3350	117	
	E72++2#50HE		72				2 @ 1/2	2	24	3800	3040	4920	177	
	E84++2#50HE		84				2 @ 1/2	2	24	3800	2910	5460	181	
	E96++2#50HE		96				2 @ 1/2	2	24	3800	2815	6080	189	
	E108++3#50HE		108				3 @ 1/2	3	24	3800	3040	7380	261	
	E120++3#50HE		120				3 @ 1/2	3	24	3800	2950	7920	273	
	E132++3#50HE		132				3 @ 1/2	3	24	3800	2875	8540	285	
	E144++3#50HE		144				3 @ 1/2	3	24	3800	2815	9120	297	

NOTE:

(++) TOTAL HEATER KW AVAILABLE (SELECT FROM BELOW)

	<u>KW</u>	<u>BTU/HR</u>	<u>KW</u>	<u>BTU/HR</u>	<u>KW</u>	<u>BTU/HR</u>
1-CABINET	8	27,320	12	40,980	16	54,640
2-CABINET	16	54,640	24	81,960	32	109,280
3-CABINET	24	81,960	36	122,940	48	163,920

Note: Multiply listed wattage by .75 for actual 208V rating. Maximum 15 kilowatts per cabinet at 240V.

(#) - SELECT VOLTAGE: 3 = 208V 3-PH, 4 = 240V/208V 3-PH, 5 = 460V 3-PH.

EQUIPMENT SPECIFICATIONS:

GENERAL:

Units shall be Leading Edge brand Environmental Series Electrically Heated 1/2 HP / 3-phase Air Curtains.

APPROVALS:

Air Curtains shall meet the requirements of the National Electric Code and shall be Canadian Underwriters Laboratories Listed and Underwriters Laboratories Listed. c UL us.

CABINET / GRILL:

Shall be all-metal, corrosive resistant, electrostatically applied powder paint coated steel.* Cabinets shall incorporate internal structural supports with keyholes for sufficient strength to provide cabinet rigidity for flush wall mounting. Units to have full-length discharge and flush louvers with 1-inch directional vanes for maximum 40 degree sweep for optimum airflow adjustment. Cabinet grill shall allow for no tools access to motor/blower assembly. Unit to be supplied with mounting template, operating instructions and parts book.

ELECTRIC HEATING COILS:

Heating element shall be an open helical coil type located directly in the discharge air nozzle for rapid temperature rise. Dual thermal overload protection shall be provide by an automatic reset switch incorporating a warning pilot light and by a replaceable one-shot backup fuse. Heater shall have a Air-Flow safety sensor to disable the the heating elements in the event motor/blowers need servicing or are wired incorrectly. Element control panel shall be located in front of nozzle and hinged to swing down for servicing.

* Stock color is Beige. Other standard colors available on request include: White, Black, Charcoal Gray, Aluminum and Bronze.

MOTORS:

Motor(s) shall be heavy duty totally enclosed permanent split capacitor (PSC) double extended shaft type suitable for continuous duty. Each motor shall be resilient mounted and shall incorporate an automatically resetting thermal overload protector and permanently lubricated rubber-sealed ball bearings. Internal motor power cord shall have quick connect plugs for easy removal of blower assembly for cleaning and servicing.

BLOWER ASSEMBLY:

Blower wheels and scroll shall be all metal, corrosive-resistant, galvanized steel. Blower wheels shall be direct drive, double inlet, dynamically balanced, forward curved squirrel cage design.

ELECTRIC WIRING:

Air curtain shall incorporate pre-wired, pre-mounted control panel. Panel shall be mounted on right hand side of cabinet. Control panel adds 4 inches to overall length of cabinet and requires an additional 16 inches of clearance for hinged access panel. Indicator lights on control panel will display "power on", "fan on" and "heat on".

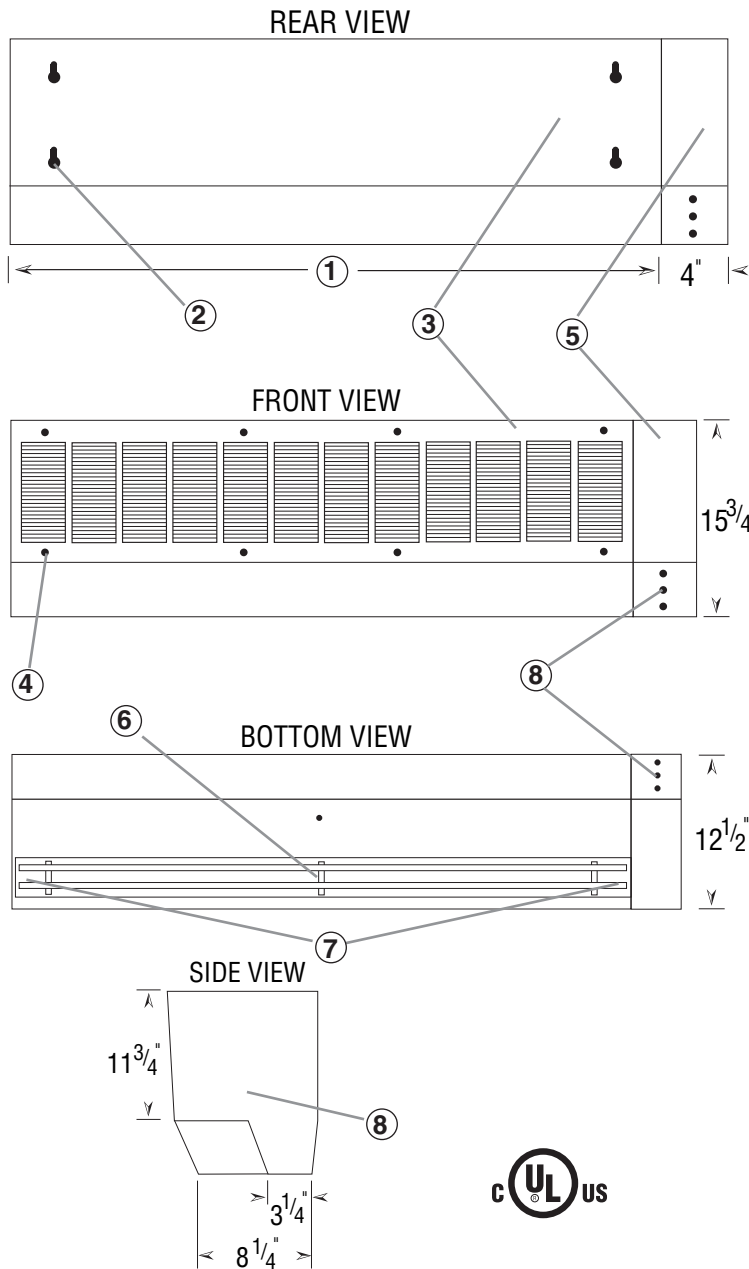
Warranty:

Shall be limited for 24 months.

OPTIONAL ACCESSORIES:

- ___ On / Off accessories:
 - ___ Plunger style automatic switch for hinged doors.
 - ___ Roller style automatic switch for sliding door.
- ___ Mounting Hardware:
 - ___ Light duty wall bracket for wall mounting from top of unit.
 - ___ Medium duty wall bracket- for mounting unit up to 12 inches from wall.
 - ___ Smart-Trac II Adjustable Mounting System- for suspension mount installation.


1/2HP ENVIRONMENTAL SERIES MODELS



NOTES:

- ① Refer to individual model numbers for unit width, motor horsepower and heater kilowatts.
- ② Keyholes for mounting unit flush to wall accept 3/8" bolts. Four keyholes are provided per cabinet. Mounting hole template is provided with every unit for ease in installation. Mount hardware and support structure to meet local codes.
- ③ All metal, corrosive resistant, electrostatically applied powder paint coating on cabinet and intake grill.
- ④ Intake grille knurl nuts allow for no tools required access to motor/blower assembly for inspection and cleaning.
- ⑤ Air curtain electrical control panel located on right hand side of cabinet adds 4-inches to overall width of cabinet and requires 16-inches of clearance to swing down hinged access panel door.
- ⑥ Full-length air directional vanes are 1" deep for maximum 40-degree air directional sweep. Unit should be mounted such that the 40-degree sweep of air is unobstructed.
- ⑦ Discharge nozzle extends full width for maximum area coverage and efficiency.
- ⑧ Indicator lights on control panel alert operator when power to the unit is on, and when fan and heat are operating.
- ⑨ Element control panel is located in front of nozzle and swings down for servicing.
- ⑩ Dual thermal protection and Air-Flow sensing device prevent elements from over heating..
- ⑪ Complete unit is cULus listed and meets the requirements of the National Electric Code and federal FDA and USDA standards.
- ⑫ All dimensions should be field verified.

PROJECT _____	CONTRACTOR _____
LOCATION _____	DATE _____
ENGINEER _____	SHEET _____ OF _____
ARCHITECT _____	DRAWING NUMBER _____



LEADING EDGE[®]
A Marley Engineered Products Brand

470 Beauty Spot Road E • Bennettsville, SC 29512 • Phone: (843)479-4006
Fax: (843) 479-8912 • Toll Free 800-452-4179

1/2HP ENVIRONMENTAL SERIES MODELS