

# J Series (Model B) Institutional Convector

## Installation, Operation & Maintenance Instructions

Table 1. Specifications

MODEL NO.	HEATER VOLTS	WATTS	AMPS	SHIPS WT.(lbs.)
J400B	120	400	3.3	40
J408B	208	400	1.9	40
J404B	240	400	1.7	40
J407B	277	400	1.4	40
J750B	208	2000	9.6	130
J758B	240	2000	8.3	130
J754B	277	2000	7.2	130
J757B	347	2000	5.8	130
J753B	600	2000	3.3	130
J1000B	120	500	4.2	45
J1008B	208	500	2.4	45
J1004B	240	500	2.1	45
J1007B	277	500	1.8	45
J1003B	347	500	1.4	45
J1006B	120	750	6.3	55
J1250B	208	750	3.6	55
J1258B	240	750	3.1	55
J1254B	277	750	2.7	55
J1257B	347	750	2.2	55

MODEL NO.	HEATER VOLTS	WATTS	AMPS	SHIPS WT.(lbs.)
J1253B	120	1000	8.3	65
J1256B	208	1000	4.8	65
J1500B	240	1000	4.4	65
J1508B	277	1000	3.6	65
J1504B	347	1000	2.9	65
J1507B	600	1000	1.7	65
J1503B	120	1250	10.4	80
J1506B	208	1250	6	80
J2008B	240	1250	5.2	80
J2004B	277	1250	4.5	80
J2007B	347	1250	3.6	80
J2003B	600	1250	2.1	80
J2006B	120	1500	12.5	95
J500B	208	1500	7.2	95
J508B	240	1500	6.3	95
J504B	277	1500	5.4	95
J507B	347	1500	4.3	95
J503B	600	1500	2.5	95

### IMPORTANT INSTRUCTIONS

⚠ **WARNING** ⚠

WHEN USING ELECTRIC APPLIANCES, BASIC PRECAUTIONS SHOULD ALWAYS BE FOLLOWED TO REDUCE THE RISK OF FIRE, ELECTRIC SHOCK, AND INJURY TO PERSONS, INCLUDING THE FOLLOWING:

1. Read all instructions before installing or using this heater.
2. This heater is hot when in use. To avoid burns, do not let bare skin touch hot surfaces. Keep combustible materials, such as furniture, pillows, bedding, papers, clothes, etc. and curtains at least 3 feet (0.9 m) from the front of the heater.
3. Extreme caution is necessary when any heater is used by or near children or invalids and whenever the heater is left operating and unattended.
4. Do not operate any heater after it malfunctions. Disconnect power at service panel and have heater inspected by a reputable electrician before using.
5. Do not use outdoors.
6. To disconnect heater, turn controls to off, and turn off power to heater circuit at main disconnect panel.
7. Do not insert or allow foreign objects to enter any ventilation or exhaust opening as this may cause an electric shock, fire, or damage to the heater.
8. To prevent a possible fire, do not block air intake or exhaust in any manner.
9. A heater has hot and arcing or sparking parts inside. Do not use it in areas where gasoline, paint, or flammable liquids are used or stored.
10. **For COMMERCIAL/INDUSTRIAL USE ONLY** (Not for Residential Use this heater only as described in this manual. Any other use not recommended by the manufacturer may cause fire, electric shock, or injury to persons.
11. This heater is intended for comfort heating applications and not intended for use in special environments. Do not use in damp or wet locations such as marine or greenhouse or in areas where corrosive or chemical agents are present.
12. When installing, see INSTALLATION INSTRUCTIONS for additional warnings and precautions.
13. For safe and efficient operation, and to extend the life of your heater, keep your heater clean - See MAINTENANCE INSTRUCTIONS.

**SAVE THESE INSTRUCTIONS**

# INSTALLATION INSTRUCTIONS

## ⚠ WARNING ⚠

To prevent a possible fire, injury to persons or damage to the heater, adhere to the following:

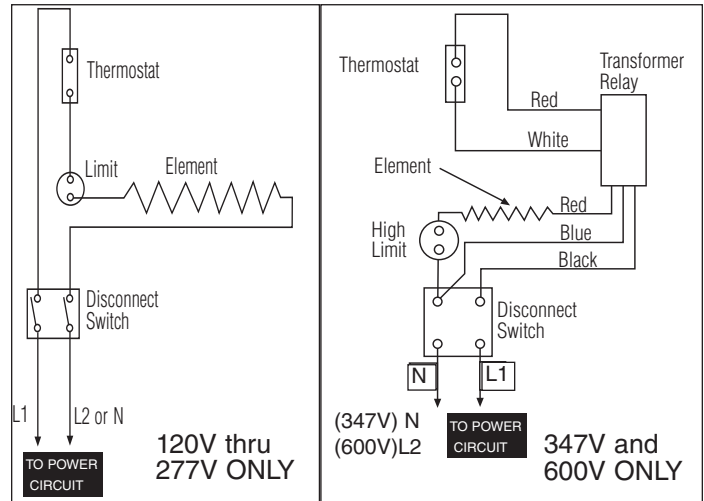
1. Disconnect all power coming to heater at main service panel before wiring or servicing.
2. All wiring procedures and connections must be in accordance with the National and Local Codes having jurisdiction and the heater must be grounded.
3. Power supply must enter back box through the 1-3/32" (27.8 mm) dia hole in the rear panel.
4. Verify the power supply voltage coming to heater matches the ratings as shown on the heater nameplate.

**CAUTION: ENERGIZING HEATER AT A VOLTAGE GREATER THAN THE VOLTAGE PRINTED ON THE NAMEPLATE WILL DAMAGE THE HEATER AND VOID THE WARRANTY AND COULD CAUSE A FIRE.**

5. **CAUTION** - High temperature, risk of fire, keep electrical cords, drapery, furnishings, and other combustibles at least 3 feet (0.9 m) from front of heater. Do not install heater behind doors, below towel racks, or in an area where it is subject to being blocked by furniture, curtains or storage materials. Hot air from the heater may damage certain fabrics and plastics.
6. To reduce the risk of fire, do not store or use gasoline or other flammable vapors and liquids in the vicinity of the heater.
7. This heater is to be surface mounted only as described within this manual. This heater is not for recessed mounting.
8. The following minimum clearances must be maintained:
  - Bottom of heater to floor - 6" (152 mm).
  - Sides of heater to adjacent wall - 1.5" (38 mm).
  - Top of heater to ceiling - 3' (914 mm).
9. Do not operate the heater without the grille installed.
10. Do not use this heater for dry out as the paint, plaster, sawdust and drywall sanding dust will permanently damage the heater and must be kept out of the heater.

## Mounting

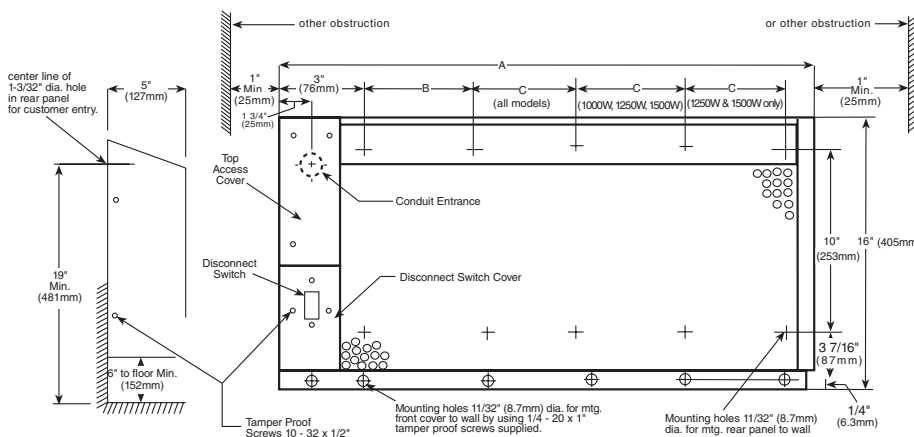
**NOTE:** Electrical wiring is to be sized in accordance with National Electric Code and local codes using at least 75°C type RH, THW or equivalent insulated wire. See chart located on page 1 for amp loads.



1. Locate on vertical wall with length of heater positioned horizontally.
2. When selecting a mounting location, minimum clearances must be observed to insure proper operation.
3. Do not mount heater in a recess, since such mounting interferes with free air circulation, increases temperature and prevents proper thermostat operation.

**NOTE:** Unit is shipped with non-tamper resistant screws securing front cover. Remove screws and discard.

4. Mount the rear panel assembly of the heater to the wall using the 11/32" (8.7mm) diameter holes (bolts and wall anchors to be supplied by customer).
5. Install the perforated cover by hooking the top edge of the cover over the top edge of rear panel.
6. Attach the bottom lip of the perforated cover to the wall using the 1/4 - 20 x 1" tamper proof screws provided (Wall anchors to be supplied by customer).
7. Electrical wiring must be brought into heater through 1-3/32" (27.8mm) diameter hole located in the rear panel.
8. Grounding conductor must be connected to the green pigtail lead.



WATTAGE	DIMENSIONS		
	A	B	C
400	24" 608mm	19.1" 485 mm	-
500	28" 709mm	11.5" 291mm	11.5" 291mm
750	36" 912mm	15.0" 380mm	16" 405mm
1000	48" 1216mm	14.3" 362mm	14.3" 362mm
1250	60" 1520mm	13.75" 348mm	13.75" 348mm
1500	72" 1824mm	16.75" 424mm	16.75" 424mm
2000	96" 2432mm	18" 456mm	18.25" 462mm

9. Make the proper connections following the wiring diagram. Install disconnect switch cover assembly with (2) #8 x 5/8" tamper proof screws (provided).
10. Adjust thermostat to the desired setting. Install top access cover with (4) #8 x 5/8" tamper proof screws (provided).

## OPERATING INSTRUCTIONS

1. Heater must be properly installed before operation.
2. Turn power supply to heater "ON" at main switch panel.
3. Heater elements should come on.

**NOTE:** The heater may give off an odor the first time the elements heat up. This is normal and should dissipate after a short time of operation.

### **WARNING**

DO NOT TAMPER WITH OR BYPASS ANY SAFETY LIMITS INSIDE HEATER.

## MAINTENANCE INSTRUCTIONS

It is important to keep this heater clean. Your heater will give you years of service and comfort with only minimum care. To assure efficient operation follow the simple instructions below.

### **WARNING**

ALL SERVICING BEYOND SIMPLE CLEANING THAT REQUIRES DISASSEMBLY SHOULD BE PERFORMED BY QUALIFIED SERVICE PERSONNEL.

### **WARNING**

TO REDUCE RISK OF FIRE AND ELECTRIC SHOCK OR INJURY, DISCONNECT ALL POWER COMING TO HEATER AT MAIN SERVICE PANEL AND CHECK THAT THE ELEMENT IS COOL BEFORE SERVICING OR PERFORMING MAINTENANCE.

### **User Cleaning Instructions:**

1. After the heater has cooled, a vacuum cleaner with brush attachment may be used to remove dust and lint from exterior surfaces of the heater including the grille openings.
2. With a damp cloth, wipe dust and lint from grille and exterior surfaces.
3. Return power to heater and check to make sure it is operating properly.

### **Maintenance Cleaning Instructions:**

**(To be performed only by Qualified Service Personnel)**

At least annually, the heater should be cleaned and serviced by a qualified service person to assure safe and efficient operation. This should include the removal of the grille to clean residue from the unit. After completing the cleaning and servicing, the heater should be fully reassembled and checked for proper operation.

### **To Repaint Heater**

The baked enamel finish was chosen to blend with interior decors. If you wish to repaint the heaters, use high quality household enamel. No primer is necessary. Do not use rubber base paint. Paint heater front cover only. Do not paint heating element.

### LIMITED WARRANTY

All products manufactured by Marley Engineered Products are warranted against defects in workmanship and materials for one year from date of installation, except heating elements which are warranted against defects in workmanship and materials for five years from date of installation. This warranty does not apply to damage from accident, misuse, or alteration; nor where the connected voltage is more than 5% above the nameplate voltage; nor to equipment improperly installed or wired or maintained in violation of the product's installation instructions. All claims for warranty work must be accompanied by proof of the date of installation.

The customer shall be responsible for all costs incurred in the removal or reinstallation of products, including labor costs, and shipping costs incurred to return products to Marley Engineered Products Service Center. Within the limitations of this warranty, inoperative units should be returned to the nearest Marley authorized service center or the Marley Engineered Products Service Center, and we will repair or replace, at our option, at no charge to you with return freight paid by Marley. It is agreed that such repair or replacement is the exclusive remedy available from Marley Engineered Products.

THE ABOVE WARRANTIES ARE IN LIEU OF ALL OTHER WARRANTIES EXPRESSED OR IMPLIED, AND ALL IMPLIED WARRANTIES OF MERCHANTABILITY AND FITNESS FOR A PARTICULAR PURPOSE WHICH EXCEED THE AFORESAID EXPRESSED WARRANTIES ARE HEREBY DISCLAIMED AND EXCLUDED FROM THIS AGREEMENT. MARLEY ENGINEERED PRODUCTS SHALL NOT BE LIABLE FOR CONSEQUENTIAL DAMAGES ARISING WITH RESPECT TO THE PRODUCT, WHETHER BASED UPON NEGLIGENCE, TORT, STRICT LIABILITY, OR CONTRACT.

Some states do not allow the exclusion or limitation of incidental or consequential damages, so the above exclusion or limitation may not apply to you. This warranty gives you specific legal rights, and you may also have other rights which vary from state to state.

For the address of your nearest authorized service center, contact Marley Engineered Products in Bennettsville, SC, at 1-800-642-4328. Merchandise returned to the factory must be accompanied by a return authorization and service identification tag, both available from Marley Engineered Products. When requesting return authorization, include all catalog numbers shown on the products.

#### HOW TO OBTAIN WARRANTY SERVICE AND WARRANTY PARTS PLUS GENERAL INFORMATION

- |                                |   |
|--------------------------------|---|
| 1. Warranty Service or Parts   | <b>1-800-642-4328</b>   |
| 2. Purchase Replacement Parts  | <b>1-800-654-3545</b>   |
| 3. General Product Information | <b><a href="http://www.marlymep.com">www.marlymep.com</a></b> |

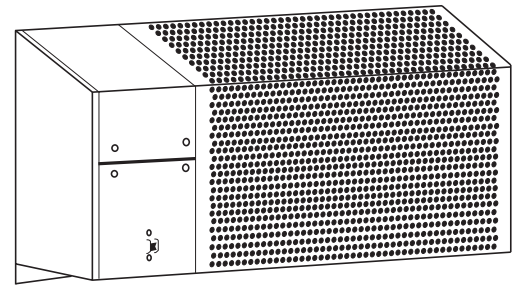
**Note:** When obtaining service always have the following:

1. Model number of the product
2. Date of manufacture
3. Part number or description



**Marley**  
Engineered Products

470 Beauty Spot Rd. East  
Bennettsville, SC 29512 USA



# Serie J (Modelo B) Convector institucional



## Instrucciones de instalación, operación y mantenimiento

Tabla 1. Especificaciones

Nº DE MODELO	TENSIÓN DEL CALEFACTOR (VOLTS)	POTENCIA (WATTS)	CONSUMO (A)	PESO TRANSPORTE (lb)
J400B	120	400	3,3	40
J408B	208	400	1,9	40
J404B	240	400	1,7	40
J407B	277	400	1,4	40
J750B	208	2000	9,6	130
J758B	240	2000	8,3	130
J754B	277	2000	7,2	130
J757B	347	2000	5,8	130
J753B	600	2000	3,3	130
J1000B	120	500	4,2	45
J1008B	208	500	2,4	45
J1004B	240	500	2,1	45
J1007B	277	500	1,8	45
J1003B	347	500	1,4	45
J1006B	120	750	6,3	55
J1250B	208	750	3,6	55
J1258B	240	750	3,1	55
J1254B	277	750	2,7	55
J1257B	347	750	2,2	55

Nº DE MODELO	TENSIÓN DEL CALEFACTOR (VOLTS)	POTENCIA (WATTS)	CONSUMO (A)	PESO TRANSPORTE (lb)
J1253B	120	1 000	8,3	65
J1256B	208	1 000	4,8	65
J1500B	240	1 000	4,4	65
J1508B	277	1 000	3,6	65
J1504B	347	1 000	2,9	65
J1507B	600	1 000	1,7	65
J1503B	120	1 250	10,4	80
J1506B	208	1 250	6	80
J2008B	240	1 250	5,2	80
J2004B	277	1 250	4,5	80
J2007B	347	1 250	3,6	80
J2003B	600	1 250	2,1	80
J2006B	120	1 500	12,5	95
J500B	208	1 500	7,2	95
J508B	240	1 500	6,3	95
J504B	277	1 500	5,4	95
J507B	347	1 500	4,3	95
J503B	600	1 500	2,5	95

## INSTRUCCIONES IMPORTANTES



### ADVERTENCIA



AL UTILIZAR ARTEFACTOS ELÉCTRICOS, PARA REDUCIR EL RIESGO DE INCENDIO, CHOQUE ELÉCTRICO Y LESIONES PERSONALES DEBEN OBSERVARSE SIEMPRE ALGUNAS PRECAUCIONES BÁSICAS, COMO LAS SIGUIENTES:

1. Lea todas las instrucciones antes de instalar o utilizar este calefactor.
2. Cuando está en funcionamiento, el calefactor está muy caliente. Para evitar quemaduras, no deje que su piel haga contacto directo con las superficies calientes. Mantenga los materiales combustibles como muebles, almohadas, ropas de cama, papeles, ropas, cortinas, etc. a 3 pies (0.9 m) como mínimo del frente del calefactor.
3. Se necesita extremo cuidado al utilizar cualquier calefactor junto a o cerca de niños o inválidos, y en todo momento en que el calefactor quede funcionando y desatendido.
4. No opere ningún calefactor después de que haya tenido una falla de funcionamiento. Desconecte la alimentación eléctrica en el tablero de servicio y haga revisar el calefactor por un electricista calificado antes de usarlo.
5. No use el equipo en exteriores.
6. Para desconectar el calefactor, lleve los controles a la posición Apagado (OFF) y desconecte la alimentación del circuito del calefactor en el tablero de desconexión principal.
7. No inserte ni permita que entren objetos extraños en ninguna abertura de ventilación o de descarga, porque esto puede ser causa de choque eléctrico, incendio o daño al calefactor.
8. Para evitar un posible incendio, no bloquee de ningún modo la entrada ni la descarga de aire.
9. Un calefactor tiene en su interior piezas calientes, y piezas en las que se producen arcos o chispas. No lo utilice en áreas en las que se utilice o almacene gasolina, pintura o líquidos inflamables.
10. Para **USO COMERCIAL/INDUSTRIAL ÚNICAMENTE** (no es para uso residencial). Utilice este calefactor únicamente de la manera descrita en este manual. Cualquier otra forma de uso no recomendada por el fabricante puede ser causa de incendio, choque eléctrico o daños personales.
11. Este calefactor está destinado a aplicaciones de calefacción ambiental, y no es para utilizar en ambientes especiales. No lo use en lugares húmedos o mojados como zonas marítimas o invernaderos, ni en áreas en las que estén presentes agentes químicos o corrosivos.
12. Al realizar la instalación, vea las advertencias y precauciones adicionales en las INSTRUCCIONES DE INSTALACIÓN.
13. Para garantizar una operación segura y eficiente, y para extender la vida útil de su calefactor, manténgalo limpio. Vea las INSTRUCCIONES DE MANTENIMIENTO.

## GUARDE ESTAS INSTRUCCIONES

# INSTRUCCIONES DE INSTALACIÓN

## ⚠ ADVERTENCIA ⚠

Para evitar un posible incendio, lesiones personales o daños al calefactor, observe lo siguiente:

1. Antes de proceder a tareas de conexionado o de reparación del calefactor, desconecte toda la alimentación eléctrica que llega al mismo desde el tablero principal de servicio.
2. Todos los procedimientos de cableado y conexiones deben hacerse de conformidad con los códigos nacionales y locales que tengan jurisdicción, y el calefactor debe estar conectado a tierra.
3. La alimentación eléctrica debe ingresar a la caja posterior a través del agujero de 1-3/32" (27.8 mm) de diámetro del panel posterior.
4. Verifique que la tensión de alimentación provista al calefactor coincida con la tensión nominal indicada en la placa de características del mismo.

**ATENCIÓN:** SI SE ENERGIZA UN CALEFACTOR CON UNA TENSIÓN MAYOR QUE EL VALOR DE TENSIÓN IMPRESO EN LA PLACA DE CARACTERÍSTICAS, SE DAÑARÁ EL CALEFACTOR, SE ANULARÁ LA GARANTÍA, Y PODRÍA PRODUCIRSE UN INCENDIO.

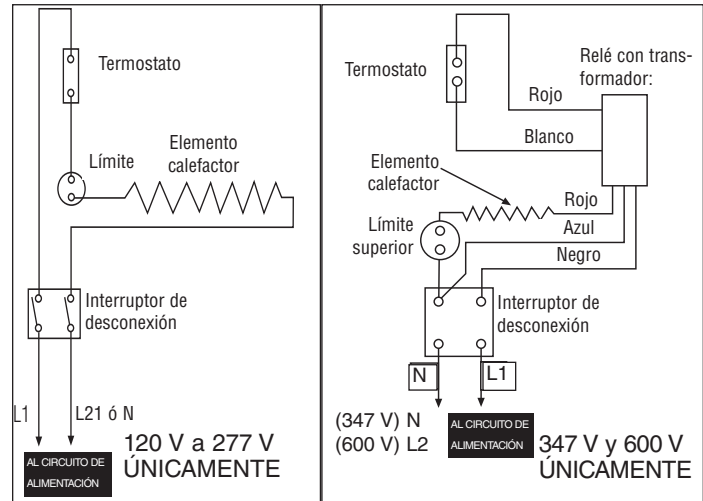
5. **ATENCIÓN:** alta temperatura, riesgo de incendio. Mantenga los cables eléctricos, cortinados, muebles y otros elementos combustibles a 3 pies (0.9 m) como mínimo del frente del calefactor. No instale el calefactor detrás de puertas, debajo de toalleros, ni en un área en la que esté sujeto a bloqueo por muebles, cortinas o materiales almacenados. El aire caliente que sale del calefactor puede dañar algunas telas y plásticos.
6. Para reducir el riesgo de incendio, no almacene ni use gasolina u otros vapores y líquidos inflamables en las cercanías del calefactor.
7. Este calefactor es para montaje superficial únicamente, según se describe en este manual. Este calefactor no es para montaje empotrado.
8. Deben mantenerse las distancias mínimas que se indican a continuación:

- Del fondo del calefactor al piso: 6" (152 mm).
- De los costados del calefactor a la pared adyacente: 1,5" (38 mm).
- De la cara superior del calefactor al cielorraso: 3' (914 mm).

9. No haga funcionar el calefactor sin haber instalado la rejilla.
10. No utilice este calefactor para fines de secado, ya que la pintura, el yeso, el aserrín y el polvo proveniente del lijado de paredes secas provocarán daños permanentes al calefactor, por lo que no deben entrar al mismo.

## Montaje

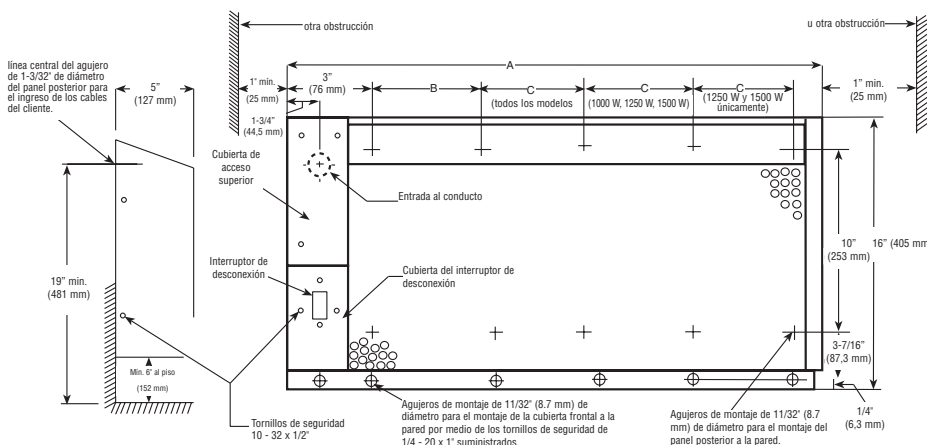
**NOTA:** el conexionado eléctrico debe dimensionarse de acuerdo con el Código Eléctrico Nacional de los EE. UU. y los códigos locales, con cables aislados de 75 °C como mínimo, de tipo RH, THW o equivalente. Vea los valores de carga en A en el cuadro ubicado en la página 1.



1. Colóquelo en una pared vertical, con el lado más largo del calefactor posicionado en forma horizontal.
2. Al seleccionar una ubicación de montaje deben observarse los espacios libres mínimos a fin de asegurar una operación correcta.
3. No monte el calefactor en un hueco, dado que un montaje de ese tipo interfiere con la libre circulación del aire, aumenta la temperatura e impide la operación correcta del termostato.

**NOTA:** la unidad se envía con la cubierta frontal asegurada con tornillos que no son de seguridad. Retire los tornillos y deséchelos.

4. Monte en la pared el conjunto de panel trasero del calefactor mediante los agujeros de montaje de 11/32" (8.7mm) de diámetro (el cliente debe suministrar los pernos y los anclajes a la pared).
5. Instale la cubierta perforada; para ello enganche el borde superior de la cubierta sobre el borde superior del panel posterior.
6. Fije el reborde inferior de la cubierta perforada a la pared por medio de los tornillos de seguridad de 1/4-20 x 1" provistos (el cliente debe suministrar los anclajes a la pared).
7. El conexionado eléctrico debe llegar al calefactor a través del agujero de 1-3/32" (27.8 mm) de diámetro ubicado en el panel posterior.
8. El conductor de puesta a tierra debe conectarse al cable de conexión flexible verde.



POTENCIA (watts)	DIMENSIONES		
	A	B	C
400	24" 608 mm	19,1" 485 mm	-
500	28" 709 mm	11,5" 291 mm	11,5" 291 mm
750	36" 912 mm	15,0" 380 mm	16" 405 mm
1000	48" 1 216 mm	14,3" 362 mm	14,3" 362 mm
1250	60" 1 520 mm	13,75" 348 mm	13,75" 348 mm
1500	72" 1 824 mm	16,75" 424 mm	16,75" 424 mm
2000	96" 2 432 mm	18" 456 mm	18,25" 462 mm



- Haga las conexiones correctas de acuerdo con el diagrama de conexionado. Instale el conjunto de cubierta del interruptor de desconexión con dos (2) tornillos de seguridad n.º 8 x 5/8" (provisos).
- Ajuste el termostato a la posición deseada. Instale la cubierta de acceso superior con cuatro (4) tornillos de seguridad n.º 8 x 5/8" (provisos).

## INSTRUCCIONES DE OPERACIÓN

- El calefactor debe instalarse correctamente antes de ponerlo en funcionamiento.
- Conecte la alimentación eléctrica al calefactor en el tablero de distribución principal.
- Los elementos calefactores deben encenderse.

**NOTA:** el calefactor puede despedir cierto olor la primera vez que se calienten los elementos calefactores. Esto es normal, y debe disiparse después de un breve tiempo de operación.

### **ADVERTENCIA**

NO ALTERE NI PUENTE NINGÚN LÍMITE DE SEGURIDAD INTERNO DEL CALEFACTOR.

## INSTRUCCIONES DE MANTENIMIENTO

Es importante mantener limpio este calefactor. Su calefactor le brindará muchos años de servicio y confort con sólo un mínimo de cuidado. Para asegurar un funcionamiento eficiente, observe las instrucciones simples que se indican a continuación.

### **ADVERTENCIA**

TODO SERVICIO, MÁS ALLÁ DE UNA SIMPLE LIMPIEZA, QUE REQUIERA UN DESMONTAJE DEBE SER REALIZADO POR PERSONAL DE SERVICIO CALIFICADO.

### **ADVERTENCIA**

PARA REDUCIR EL RIESGO DE INCENDIO Y DE CHOQUE ELÉCTRICO O LESIONES, DESCONECTE TODA LA ALIMENTACIÓN ELÉCTRICA QUE LLEGA AL CALEFACTOR EN EL TABLERO PRINCIPAL DE SERVICIO Y VERIFIQUE QUE EL ELEMENTO CALEFACTOR ESTÉ FRÍO ANTES DE PRESTAR SERVICIO O DE REALIZAR EL MANTENIMIENTO.

### **Instrucciones de limpieza para el usuario:**

- Después de que el calefactor se haya enfriado, puede utilizarse una aspiradora con accesorio de cepillo para eliminar el polvo y la pelusa de las superficies exteriores del calefactor, incluidas las aberturas de la rejilla.
- Con un paño húmedo, elimine el polvo y la pelusa de la rejilla y las superficies exteriores.
- Vuelva a conectar la alimentación eléctrica al calefactor y asegúrese de que funcione correctamente.

### **Instrucciones de limpieza de mantenimiento:**

**(a realizarse únicamente por personal de servicio calificado)**

Al menos una vez por año, un técnico de servicio calificado debe limpiar y prestar servicio al calefactor para garantizar un funcionamiento seguro y eficiente. Esto debe incluir la extracción de la rejilla para limpiar residuos en la unidad. Después de terminada la limpieza y servicio, el calefactor debe volver a montarse completamente y verificarse que funcione correctamente.

### **Para repintar el calefactor**

El acabado con esmalte horneado se eligió para combinar con la decoración interior. Si desea repintar los calefactores, utilice un esmalte de uso doméstico de alta calidad. No se necesita primario. No utilice pintura a base de caucho.

Pinte sólo la cubierta frontal del calefactor. No pinte el elemento calefactor.

## GARANTÍA LIMITADA

Todos los productos fabricados por Marley Engineered Products están garantizados contra defectos de fabricación y de materiales por un año desde la fecha de instalación, a excepción de los elementos calefactores, que están garantizados contra defectos de fabricación y de materiales por cinco años desde la fecha de instalación. Esta garantía no se aplica a daños debidos a accidente, mal uso o alteración, ni a los casos en que la tensión eléctrica conectada supere a la tensión nominal -indicada en la placa de características- en más de 5 %, ni a equipos que hayan sido instalados o cableados incorrectamente, o mantenidos en forma que no cumpla lo indicado en las instrucciones de instalación del producto. Todo reclamo por trabajos en garantía debe acompañarse con una prueba de la fecha de instalación.

El cliente será responsable de todos los costos incurridos en el retiro o reinstalación de productos, incluyendo los costos de mano de obra y los costos de envío incurridos para regresar productos a un Centro de Servicio de Marley Engineered Products. Dentro de las limitaciones de esta garantía, las unidades que no funcionan deben regresarse al centro de servicio autorizado Marley más cercano, o al Centro de Servicio de Marley Engineered Products, y nosotros lo repararemos o reemplazaremos, a nuestra opción, sin cargo para usted, con el flete de retorno pagado por Marley. Se acuerda que tal reparación o reemplazo es el único recurso que Marley Engineered Products pone a su disposición.

LAS GARANTÍAS EXPUESTAS MÁS ARRIBA TOMAN EL LUGAR DE TODA OTRA GARANTÍA, EXPRESA O IMPLÍCITA, Y POR LA PRESENTE SE DECLINA Y EXCLUYE DE ESTE ACUERDO TODA GARANTÍA IMPLÍCITA DE COMERCIABILIDAD Y ADECUACIÓN A UN PROPÓSITO PARTICULAR QUE EXCEDA LAS GARANTÍAS EXPRESAS ANTEDICHAS. MARLEY ENGINEERED PRODUCTS NO SE HARÁ RESPONSABLE POR DAÑOS CONSIGUIENTES QUE SE PRODUZCAN CON RESPECTO AL PRODUCTO, EN BASE YA SEA A NEGLIGENCIA, AGRAVIO, RESPONSABILIDAD ESTRICTA, O CONTRATO.

Algunos estados o jurisdicciones no permiten la exclusión o limitación de daños incidentales o consiguientes, de modo que la exclusión o limitación expresada más arriba puede no aplicarse a su caso. Esta garantía le da derechos legales específicos, y usted puede tener también otros derechos, que varían de un estado o jurisdicción a otro.

Para obtener la dirección de su centro de servicio autorizado más cercano comuníquese con Marley Engineered Products en Bennettsville, SC, Estados Unidos, llamando al 1-800-642-4328. Toda mercadería regresada a la fábrica debe ser acompañada por una autorización de retorno y una etiqueta de identificación de servicio, disponibles ambas en Marley Engineered Products. Cuando solicite la autorización de retorno, incluya todos los números de catálogo mostrados en los productos.

### CÓMO OBTENER SERVICIO EN GARANTÍA, PIEZAS DE REPUESTO E INFORMACIÓN GENERAL

- |  |   |
|--|---|
| 1. Servicio o repuestos en garantía    | <b>1-800-642-4328</b>   |
| 2. Compra de repuestos                 | <b>1-800-654-3545</b>   |
| 3. Información general sobre productos | <b><a href="http://www.marlymep.com">www.marlymep.com</a></b> |

**Nota:** cuando solicite servicio, siempre dé la información que sigue:

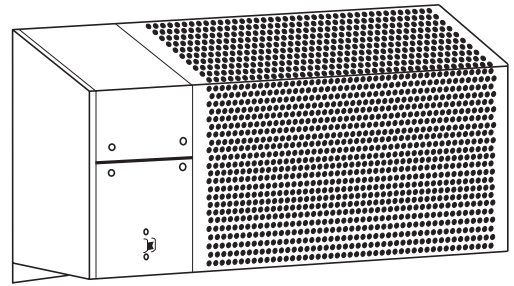
1. Número de modelo del producto
2. Fecha de fabricación
3. Número de parte o descripción



**Marley**  
Engineered Products

470 Beauty Spot Rd. East  
Bennettsville, SC 29512 USA





## Série J (Modèle B) Convecteur institutionnel



# Instructions d'installation, d'utilisation et d'entretien

Tableau 1 - Spécifications

MODÈLE RÉF.	VOLTS SECTEUR	WATTS	AMPÈRES	POIDS D'EXPÉDITION EN LIVRES
J400B	120	400	3,3	40
J408B	208	400	1,9	40
J404B	240	400	1,7	40
J407B	277	400	1,4	40
J750B	208	2000	9,6	130
J758B	240	2000	8,3	130
J754B	277	2000	7,2	130
J757B	347	2000	5,8	130
J753B	600	2000	3,3	130
J1000B	120	500	4,2	45
J1008B	208	500	2,4	45
J1004B	240	500	2,1	45
J1007B	277	500	1,8	45
J1003B	347	500	1,4	45
J1006B	120	750	6,3	55
J1250B	208	750	3,6	55
J1258B	240	750	3,1	55
J1254B	277	750	2,7	55
J1257B	347	750	2,2	55

MODÈLE RÉF.	VOLTS SECTEUR	WATTS	AMPÈRES	POIDS D'EXPÉDITION EN LIVRES
J1253B	120	1 000	8,3	65
J1256B	208	1 000	4,8	65
J1500B	240	1 000	4,4	65
J1508B	277	1 000	3,6	65
J1504B	347	1 000	2,9	65
J1507B	600	1 000	1,7	65
J1503B	120	1 250	10,4	80
J1506B	208	1 250	6	80
J2008B	240	1 250	5,2	80
J2004B	277	1 250	4,5	80
J2007B	347	1 250	3,6	80
J2003B	600	1 250	2,1	80
J2006B	120	1 500	12,5	95
J500B	208	1 500	7,2	95
J508B	240	1 500	6,3	95
J504B	277	1 500	5,4	95
J507B	347	1 500	4,3	95
J503B	600	1 500	2,5	95

## INSTRUCTIONS IMPORTANTES

### AVERTISSEMENT

LORS DE L'UTILISATION D'APPAREILS ÉLECTRIQUES, DES PRÉCAUTIONS DE BASE DOIVENT TOUJOURS ÊTRE SUIVIES AFIN DE RÉDUIRE LE RISQUE DE DÉPART D'INCENDIE, DE COMMOTION ÉLECTRIQUE ET DE BLESSURES AUX PERSONNES, INCLUANT CELLES QUI SUIVENT :

1. Lisez toutes les instructions avant d'installer ou d'utiliser le radiateur.
2. Ce radiateur est chaud quand il est en fonctionnement. Pour éviter des brûlures, ne laissez pas de peau nue toucher ses surfaces chaudes. Maintenez les matières combustibles comme le mobilier, les oreillers, la literie, les papiers, les vêtements et les couvertures, à au moins 3 pieds (90 cm) de distance de l'avant du radiateur.
3. Il faut faire très attention quand un radiateur quelconque est utilisé par des enfants ou des personnes invalides ou près d'eux, et à chaque fois que le radiateur est laissé en marche sans surveillance.
4. N'utilisez plus un radiateur s'il a présenté des dysfonctionnements. Débranchez son alimentation au panneau de distribution du secteur et faites-le inspecter par un bon électricien avant de le réutiliser.
5. Ne l'utilisez pas à l'extérieur.
6. Pour déconnecter le radiateur, passez sa commande sur arrêt (Off) et coupez le secteur en amont au panneau de distribution.
7. N'insérez pas d'objets étrangers, et ne permettez pas qu'il en entre, dans toute ouverture d'admission ou d'évacuation, car cela peut

causer une commotion électrique ou un départ d'incendie, ou endommager le radiateur.

8. Pour éviter un possible départ d'incendie, n'obstruez en aucune façon les admissions et les échappements d'air.
9. Un radiateur comporte à l'intérieur des parties chaudes, et pouvant produire un arc ou des étincelles électriques. Ne l'utilisez pas dans des zones où de l'essence ou des liquides inflammables sont utilisés ou entreposés.
10. **POUR UNE UTILISATION COMMERCIALE UNIQUEMENT** (Pas pour une utilisation résidentielle). N'utilisez ce radiateur que comme c'est indiqué dans ce manuel. Toute autre utilisation non recommandée par le constructeur peut causer un départ d'incendie, une commotion électrique ou des blessures corporelles.
11. Ce radiateur est prévu pour des applications de chauffage de confort, et n'est pas conçu pour une utilisation dans des endroits spéciaux. Ne l'utilisez pas dans des lieux humides ou mouillés, tels que dans un contexte marin ou une serre, ou dans des endroits où il y a présence d'agents corrosifs ou chimiques.
12. Lors de l'installation, voyez les INSTRUCTIONS D'INSTALLATION pour des mises en gardes et précautions supplémentaires.
13. Pour un fonctionnement sûr et efficace, et pour prolonger sa durée de service, gardez votre radiateur propre – Voyez les INSTRUCTIONS D'ENTRETIEN.

## CONSERVEZ CES INSTRUCTIONS

# INSTRUCTIONS D'INSTALLATION

## ⚠ AVERTISSEMENT ⚠

Pour éviter un possible départ d'incendie, des blessures corporelles ou des dommages au radiateur, respectez ces consignes :

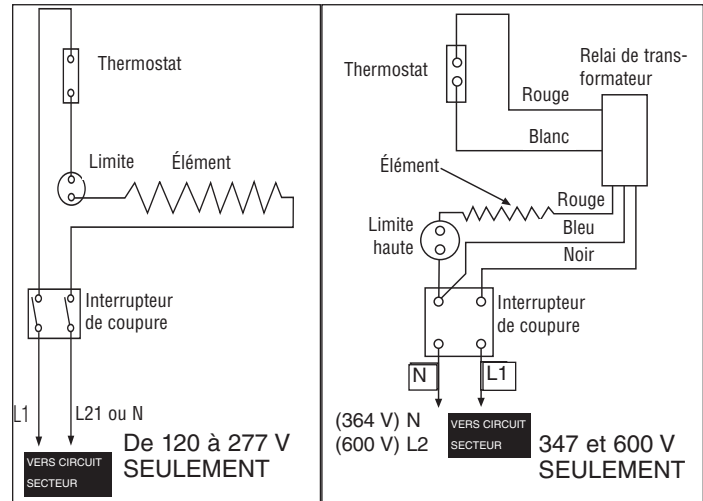
1. Débranchez toute alimentation secteur arrivant au panneau de service principal avant de câbler ou d'intervenir pour du service.
2. Toutes les procédures de câblage et les raccordements doivent être en conformité avec les normes nationales et locales applicables, et le radiateur doit être relié à la terre.
3. L'alimentation secteur doit entrer dans le boîtier arrière au travers du trou de diamètre 1-3/32" (27,8 mm) dans le panneau arrière.
4. Vérifiez que la tension du secteur arrivant au radiateur correspond bien aux valeurs spécifiées sur sa plaque signalétique.

**ATTENTION : ALIMENTER LE RADIATEUR AVEC UNE TENSION DÉPASSANT LA VALEUR IMPRIMÉE SUR LA PLAQUE SIGNALÉTIQUE ENDOMMAGERA LE RADIATEUR ET ANNULERA SA GARANTIE, ET CELA PEUT PROVOQUER UN DÉPART D'INCENDIE.**

5. **ATTENTION** – Température élevée et risque de départ d'incendie, gardez les cordons électriques, les draperies et textiles d'intérieur, et d'autres matières combustibles, à au moins 3 pieds (90 cm) de l'avant du radiateur. N'installez pas le radiateur derrière des portes, sous des porte-serviettes ou dans une zone où il est susceptible d'être bloqué par des meubles, des rideaux ou des matériaux de rangement. L'air chaud venant du radiateur peut endommager certains tissus et plastiques.
6. Pour réduire le risque de départ d'incendie, n'entreposez pas et n'utilisez pas d'essence ou d'autres produits inflammables sous forme de liquide ou de vapeurs à proximité du radiateur.
7. Ce radiateur ne doit être monté qu'en surface comme c'est décrit dans ce manuel. Ce radiateur n'est pas prévu pour un montage encastré.
8. Les écartements suivants doivent être respectés :
  - Du bas du radiateur au plancher - 6" (152 mm).
  - Des côtés du radiateur à un mur adjacent - 1,5" (38 mm).
  - Du haut du radiateur au plafond - 3" (914 mm).
9. Ne faites pas fonctionner le radiateur sans que sa grille soit en place.
10. N'utilisez pas ce radiateur pour faire sécher de la peinture, du plâtre. De la sciure ou de la poussière de ponçage de cloison sèche endommageraient de façon permanente le radiateur, et doivent être tenues à l'écart.

## Montage

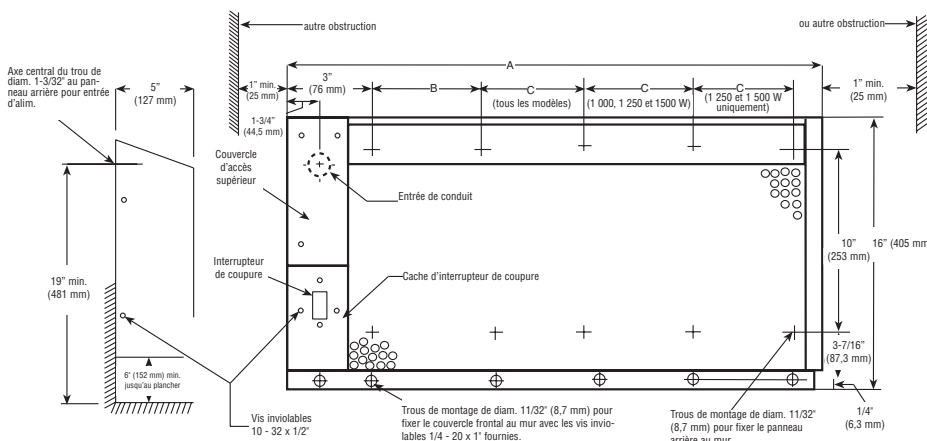
**REMARQUE :** Le câblage électrique doit être dimensionné en conformité avec la norme électrique américaine ou les normes locales, en utilisant de fil isolé pour 75 °C, de type RH, THW, ou équivalent. Voyez le tableau situé en page 1 pour les courants de charge.



1. Placez le radiateur sur un mur vertical avec sa longueur à l'horizontale.
2. Quand vous sélectionnez un emplacement de montage, des écartements minimaux doivent être respectés pour assurer un bon fonctionnement.
3. Ne montez pas ce radiateur dans un renforcement, car un tel type de montage interfère avec la libre circulation de l'air, augmente la température interne et empêche le bon fonctionnement du thermostat.

**REMARQUE :** Le radiateur est livré avec des vis ordinaires non inviolables pour tenir le couvercle frontal. Enlevez ces vis et jetez-les.

4. Montez l'ensemble de panneau arrière du radiateur sur le mur en utilisant les trous de montage de diamètre 11/32" (8,7 mm), les vis et les chevilles murales étant à fournir par le client.
5. Installez le couvercle perforé en accrochant le rebord du haut de couvercle sur le rebord du haut du panneau arrière.
6. Attachez la lèvre du bas du couvercle perforé au mur en utilisant les vis inviolables 1/4 - 20 x 1" fournies (Les chevilles murales seront de fourniture locale).
7. Le câblage de l'alimentation secteur doit être amené dans le radiateur par le trou de diamètre 1-3/32" (27,8 mm) situé dans le panneau arrière.
8. Le conducteur de mise à la terre doit être relié au fil vert en tire-bouchon.



PUISSANCE	DIMENSIONS		
	A	B	C
400	24" 608 mm	19,1" 485 mm	-
500	28" 709 mm	11,5" 291 mm	11,5" 291 mm
750	36" 912 mm	15,0" 380 mm	16" 405 mm
1000	48" 1 216 mm	14,3" 362 mm	14,3" 362 mm
1250	60" 1 520 mm	13,75" 348 mm	13,75" 348 mm
1500	72" 1 824 mm	16,75" 424 mm	16,75" 424 mm
2000	96" 2 432 mm	18" 456 mm	18,25" 462 mm

9. Réalisez les connexions voulues en suivant le schéma de câblage. Installez le cache d'interrupteur de coupure avec deux vis inviolables #8 x 5/8" (fournies).
10. Réglez la consigne de thermostat à la température voulue. Installez le couvercle supérieur d'accès avec quatre vis inviolables #8 x 5/8" (fournies).

## INSTRUCTIONS D'UTILISATION

1. Le radiateur doit être correctement installé avant d'être mis en marche.
2. Mettez le radiateur en marche (ON) au panneau de commande principal.
3. Les éléments de chauffe doivent être activés.

**REMARQUE :** Le radiateur peut dégager une odeur la première fois que les éléments de chauffe sont activés. C'est un phénomène normal et cela doit cesser après une courte durée de fonctionnement.

### AVERTISSEMENT

NE TOUCHEZ PAS ET NE CONTOURNEZ PAS LES LIMITES DE SÉCURITÉ À L'INTÉRIEUR DU RADIATEUR

## INSTRUCTIONS D'ENTRETIEN

Il est important de garder propre ce radiateur. Votre radiateur vous fournira des années de bon service et de confort avec juste un minimum de soins. Pour assurer son fonctionnement efficace, suivez les instructions simples ci-dessous :

### AVERTISSEMENT

TOUTE INTERVENTION DE SERVICE AU-DELÀ D'UN SIMPLE NETTOYAGE, QUI NÉCESSITE UN DÉMONTAGE, DEVRA ÊTRE RÉALISÉE PAR DU PERSONNEL DE SERVICE QUALIFIÉ.

### AVERTISSEMENT

POUR RÉDUIRE LE RISQUE DE DÉPART D'INCENDIE ET DE COMMOTION ÉLECTRIQUE OU DE BLESSURE, DÉBRANCHEZ TOUTE ALIMENTATION ÉLECTRIQUE ALLANT AU RADIATEUR EN AMONT AU PANNEAU DE SERVICE, ET VÉRIFIEZ QUE L'ÉLÉMENT DE CHAUFFE EST FROID AVANT D'INTERVENIR POUR DU SERVICE OU DE L'ENTRETIEN.

### Instructions de nettoyage par l'utilisateur :

1. Une fois que le radiateur est froid, vous pouvez utiliser un aspirateur avec son accessoire brosse pour éliminer la poussière et les peluches des surfaces extérieures du radiateur, y compris les ouvertures de la grille.
2. Avec un chiffon humide, enlevez poussière et peluche de la grille et des surfaces extérieures.
3. Remettez le radiateur sous tension et vérifiez son bon fonctionnement.

### Instructions de nettoyage d'entretien :

*(Ne doit être exécuté que par du personnel de service qualifié)*

Au moins une fois par an le radiateur doit être nettoyé et vérifié par une personne de service qualifiée afin d'assurer un fonctionnement sûr et efficace. Cela doit inclure l'enlèvement de la grille pour éliminer les résidus du radiateur. Une fois le nettoyage et le service terminés, le radiateur doit être complètement remonté et son bon fonctionnement vérifié.

### Pour repeindre le radiateur

La finition en émail au four a été choisie pour se fondre dans les décors d'intérieur. Si vous souhaitez repeindre vos radiateurs, utilisez une peinture émaillée domestique de bonne qualité. Un apprêt n'est pas nécessaire avant de repeindre. N'utilisez pas de peinture caoutchoutée. Ne peignez que le couvercle de l'avant. Ne peignez pas sur l'élément de chauffe.

## GARANTIE LIMITÉE

Tous les produits fabriqués par Marley Engineered Products sont garantis contre des défauts dus à la main d'oeuvre et aux matériaux pendant un an à partir de la date d'installation, sauf les éléments de chauffe qui sont garantis de la même façon pendant cinq ans. Cette garantie ne s'applique pas pour des dommages résultant d'accident, de mésusage ou d'altération ; ni si la tension secteur envoyée fait 5 % ou plus au-dessus de la tension nominale de la plaque signalétique ; ni sur l'équipement est incorrectement installé ou câblé, en violation avec les instructions d'installation.

Toutes les demandes d'exercice de la garantie devront être accompagnées de la preuve de date d'installation. Le client doit être responsable de tous les coûts occasionnés pour le démontage ou la réinstallation des produits, incluant les coûts de main-d'oeuvre, et les coûts d'expédition pour renvoyer les produits au centre de service de Marley Engineered Products. Dans le cadre des limitations de cette garantie, les unités ne fonctionnant pas doivent être renvoyées au centre de service agréé Marley le plus proche, ou directe au centre de service de Marley Engineered Products, où ils seront réparés ou remplacés, à notre choix, sans frais pour vous avec le port de retour payé par Marley. Il est convenu que cette réparation ou ce remplacement sera le seul remède à attendre de Marley Engineered Products.

LES GARANTIES QUI PRÉCÈDENT TIENNENT LIEU DE TOUTES LES AUTRES GARANTIES, EXPLICITES OU IMPLICITES, ET TOUTES LES GARANTIES IMPLICITES DE VALEUR MARCHANDE ET D'ADÉQUATION POUR UNE FINALITÉ SPÉCIFIQUE QUI EXCÉDERAIENT LES DISPOSITIONS DE GARANTIE PRÉCÉDEMMENT ÉNONCÉES SONT ICI REJETÉES ET EXCLUES DE CET ACCORD. MARLEY ENGINEERED PRODUCTS NE SERA PAS TENU POUR

RESPONSABLE DES DOMMAGES CONSÉCUTIFS SURVENANT EN RELATION AVEC LE PRODUIT, QU'ILS SOIENT À BASE DE NÉGLIGENCE, TORT, RESPONSABILITÉ PURE OU CONTRACTUELLE.

Certaines provinces ne permettent pas l'exclusion ou la limitation des dommages consécutifs ou annexes, de ce fait l'exclusion ou la limitation qui précède peut ne pas s'appliquer à votre cas. Cette garantie vous donne des droits légaux spécifiques, qui varient d'une province à l'autre.

Pour obtenir l'adresse de votre centre de service agréé le plus proche, contactez Marley Engineered Products à Bennettsville, SC, USA, au 1-800-642-4328.

Toute marchandise retournée à l'usine doit être accompagnée d'une autorisation de renvoi et d'une étiquette d'identification pour le service, ces deux documents étant disponibles auprès de Marley Engineered Products. En demandant une autorisation de retour, fournissez tous les numéros de catalogue indiqués sur les produits.

### COMMENT OBTENIR DU SERVICE ET DES PIÈCES DANS LE CADRE DE LA GARANTIE ET DES INFORMATIONS GÉNÉRALES

- |  |   |
|--|---|
| 1. Service ou pièces sous garantie         | <b>1-800-642-4328</b>   |
| 2. Achat de pièces de remplacement         | <b>1-800-654-3545</b>   |
| 3. Informations générales sur les produits | <b><a href="http://www.marlymep.com">www.marlymep.com</a></b> |

**Remarque :** Pour obtenir le service sous garantie vous devez toujours avoir préparé :

1. Référence de modèle du produit
2. Date de fabrication
3. Numéro ou description de pièce



**Marley**  
Engineered Products

470 Beauty Spot Rd. East  
Bennettsville, SC 29512 USA