



# High Velocity Series 1-1/2 Hp Air Curtain

<u>PROJECT</u>	<u>ENGINEER</u>	<u>CONTRACTOR</u>	<u>SHEET OF</u>
<u>LOCATION</u>	<u>ARCHITECT</u>	<u>DATE</u>	<u>DRAWING NO.</u>

MARK	QTY.	WIDTH	HEIGHT	MODEL NUMBER	MAX. VEL. (FPM)	AVG. VEL. (FPM)	AVG AIRFLOW (CFM)	NO. OF MOTORS	AMPS	WT. LBS	REMARKS

**SPECIFICATIONS:**

**General:** Air curtain unit shall be Leading Edge brand High Velocity Series 1½HP Models.

**Cabinet:** Unit shall be all-metal, corrosion resistant, galvanized steel housing. The maximum effective width per motor blower assembly shall be no more than 60” and all cabinets shall have structural sidewall supports a maximum 60” apart. Units to have full-length discharge and flush louvers with 1-inch directional vanes for for maximum 40° sweep for optimum airflow adjustment. Cabinet grill shall allow for no tools access to motor/blower assembly and shall be constructed of expanded metal to allow for maximum airflow. Electrical junction box shall be mounted on lower right hand side of unit unless otherwise specified.

**Motor:** Motors shall be heavy duty, 1½HP, totally enclosed, permanent split capacitor with double extended shafts. Each motor shall be resilient mounted and furnished with an automatically resetting Texas Instruments thermal overload and permanently lubricated rubber-sealed ball bearings. All motors shall be single speed. Internal motor power cord shall feature quick-disconnect plugs for easy removal of blower base assembly for cleaning and maintenance.

**Fan Assembly:** Blower scrolls shall be all metal, corrosion-resistant, galvanized steel. Blower wheels shall be stainless steel, directly driven, double-inlet squirrel cage design. The maxi-

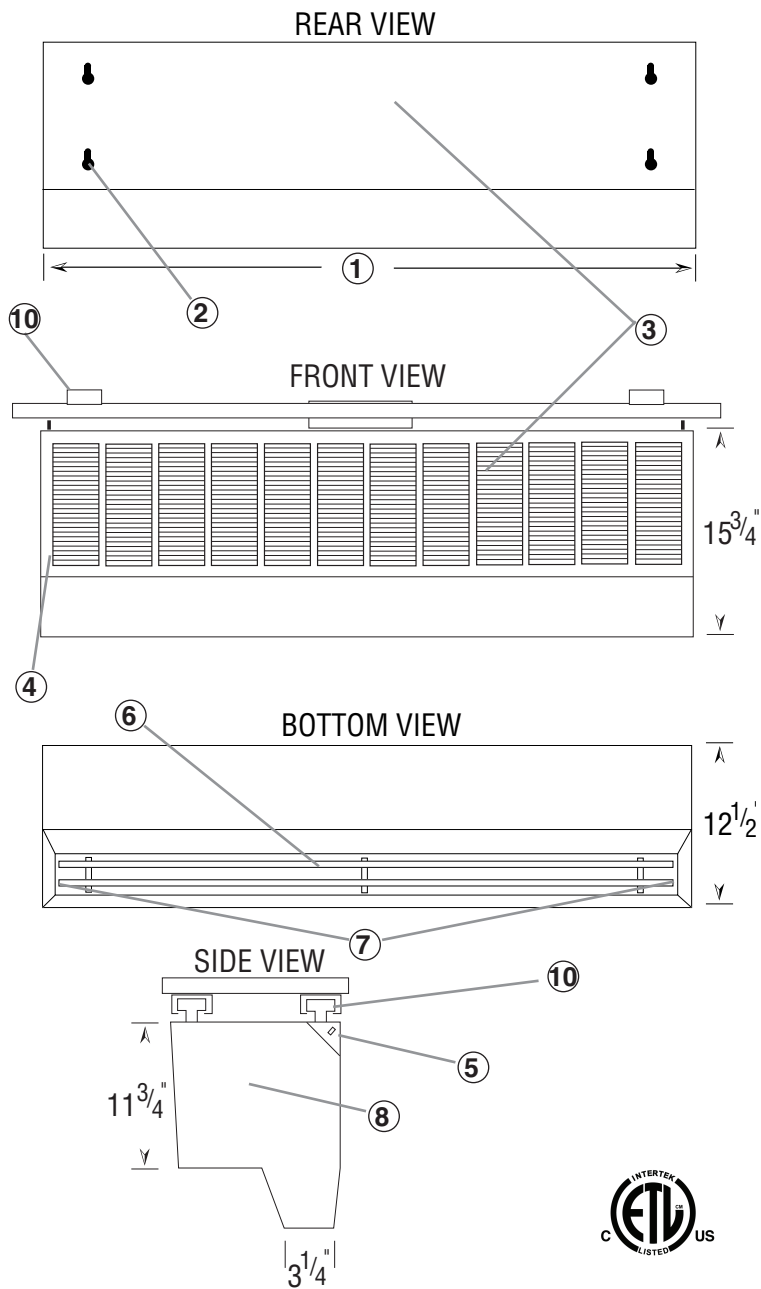
imum effective width of any given motor/blower assembly shall not exceed 60 inches.

**Mounting:** Each unit shall be constructed with keyholes on the rear of the unit for flush wall mounting and supplied with mounting template and an eight-page Operating Instructions and Parts Manual.

**Complete Unit:** Air Curtain unit shall be ETL-listed

**Optional Accessories:**


- Instant On/Off Accessories:*
  - Automatic Door Switches- for instant activation upon door opening.
  - Control Panel- for three phase air curtains requiring Automatic Door Switches.
- Mounting Hardware:*
  - Medium duty Wall Bracket- for mounting of unit up to 12 inches from wall.
  - Heavy duty Wall Bracket- for mounting over roll-up doors.
  - Smart-Trac II Adjustable Mounting System- for suspension mount installations.
- Tamper-Resistant Kit:* prevents unauthorized access to air curtain motor/blower assembly.



**NOTES:**

- ① Refer to individual model number for unit width.
- ② Keyholes for mounting unit flush to wall accepts 3/8" bolts. Four keyholes are provided per motor. Mounting template is provided with every unit for ease in installation. Mounting hardware and support structure to local code by others.
- ③ All metal, corrosion-resistant, galvanized steel housing and intake grill, with electrostatically applied epoxy finish over powder primer.
- ④ Intake grill knurl nuts allow for no tool access to motor/blower assembly for inspection and cleaning.
- ⑤ Air curtain electrical junction box located on standard right hand side, unless otherwise noted, for field wiring.
- ⑥ Full-length air directional vanes are 1" deep for maximum 40° air directional sweep. Unit should be mounted such that the 40° sweep of air stream is unobstructed.
- ⑦ Discharge nozzle extends full width for maximum area coverage and efficiency.
- ⑧ Complete air curtain unit is UL- or ETL-listed
- ⑨ All dimensions should be field verified.
- ⑩ Optional Smart-Trac II Mounting System

<i>PROJECT</i> _____	<i>CONTRACTOR</i> _____
<i>LOCATION</i> _____	<i>DATE</i> _____
<i>ENGINEER</i> _____	<i>SHEET</i> _____ <i>OF</i> _____
<i>ARCHITECT</i> _____	<i>DRAWING NUMBER</i> _____



**LEADING EDGE**<sup>®</sup>  
A Marley Engineered Products Brand

470 Beauty Spot Road E • Bennettsville, SC 29512 • Phone: (843)479-4006  
Fax: (843) 479-8912 • Toll Free 800-452-4179



**1½HP HIGH VELOCITY SERIES MODELS**