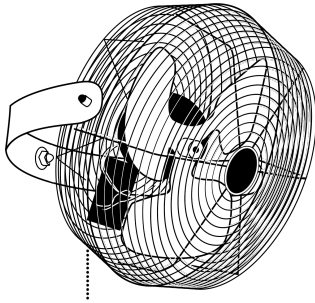




|                      |                  |                    |
|----------------------|------------------|--------------------|
| PROJECT _____        | ENGINEER _____   | SUBMITTED BY _____ |
| DATE _____           | ARCHITECT _____  |                    |
| SHEET _____ OF _____ | CONTRACTOR _____ |                    |



Mounts with one bolt or lag screw to work benches, steel shelving, machines, ceilings, I-Beams, wall or other surfaces.  
 Fan head rotates 360 Deg. In both horizontal and vertical directions.

**Specifications:**

- Motor:** 115v, single phase, open drip proof, permanently lubricated sleeve bearing, 3 speed..  
 12" & 14" Fans - 1/15 HP Shaded Pole. 18" & 20" Fans-1/8 HP PSC
- Blade:** Precision balanced powder paint coated steel with heavy gauge steel spider and hub.
- Guard:** Double locking powder paint coated. Meets federal OSHA standards.
- Switch:** Pull chain.
- Cord:** 10' long 3 conductor SJT.



| Blade Size | Order Number | Type               | High | CFM Med | Low  | Amps (High) | Ship Wt. |
|------------|--------------|--------------------|------|---------|------|-------------|----------|
| 12"        | B12P         | Bolt on circulator | 2650 | 2100    | 1550 | 1.2         | 11 lbs.  |
| 14"        | B14          | Bolt on circulator | 3200 | 2900    | 1600 | 1.3         | 13 lbs.  |
| 18"        | B18          | Bolt on circulator | 5500 | 4600    | 3400 | 2.6         | 19 lbs.  |
| 18"        | B18TE        | Bolt on circulator | 5500 | 4600    | 3400 | 2.6         | 19 lbs.  |
| 20"        | B20P         | Bolt on circulator | 5950 | 4650    | 3500 | 2.6         | 20 lbs.  |

| Type                  | Order Number | Ship Wt. |
|-----------------------|--------------|----------|
| Wall Mounting Bracket | CDMW         | 1 lb     |

| ITEM | QUANTITY | MARK | MODEL NUMBER | BLADE SIZE | TYPE | CFM @ 115V |     |     | AMPS (HIGH) | SHIP WT (LBS) |
|------|----------|------|--------------|------------|------|------------|-----|-----|-------------|---------------|
|      |          |      |              |            |      | HIGH       | MED | LOW |             |               |
|      |          |      |              |            |      |            |     |     |             |               |
|      |          |      |              |            |      |            |     |     |             |               |
|      |          |      |              |            |      |            |     |     |             |               |
|      |          |      |              |            |      |            |     |     |             |               |
|      |          |      |              |            |      |            |     |     |             |               |
|      |          |      |              |            |      |            |     |     |             |               |