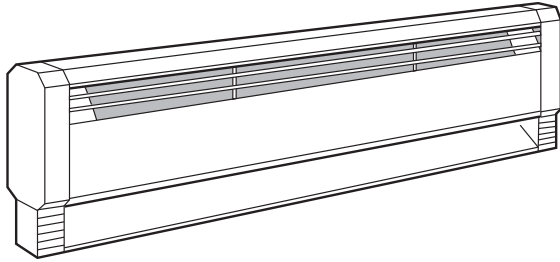




470 Beauty Spot Rd. E, Bennettsville, SC 29512

**SUBMITTAL SHEET
HBB SERIES
LIQUID FILLED ELECTRIC
HYDRONIC HEATERS**



CAPACITIES	
500 TO 2000 W	
145, 188 or 250 Watts/ft.	
28", 34", 46", 58", 70" or 94" lengths	
1 phase only	

JOB NAME: _____

LOCATION: _____

ARCHITECT: _____

ENGINEER: _____

CONTRACTOR: _____

SUBMITTED BY: _____

DATE: _____

ITEM	QTY.	CATALOG NUMBER	TAG	WATTS	VOLTS	PHASE Ø	AMPS	AVAILABLE CONTROLS

ACCESSORIES
AND
CONTROLS

ITEM	QTY.	CAT. NO.	TAG	DESCRIPTION

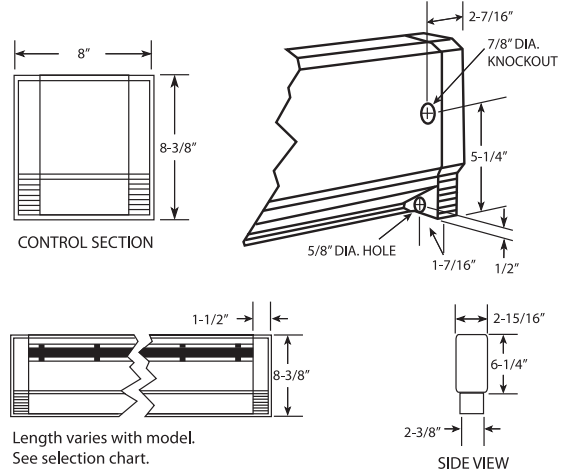
HBB SERIES - LIQUID FILLED ELECTRIC HYDRONIC HEATERS

WIRING COMPARTMENTS

DIMENSIONS

Unit length varies with model.

See Selection Chart.



Length varies with model. See selection chart.

SIDE VIEW

ARCHITECT'S & ENGINEER'S SPECIFICATIONS*

Furnish and install where indicated on plans, electric hydronic baseboard heaters, suitable for continuous operation as manufactured by QMark, A Marley Engineered Products Brand, Bennettsville, SC. Heaters shall be cULus listed.

ENCLOSURE: The heaters shall be fabricated of minimum .032 inch pre-painted steel with minimum .040 inch electro-galvanized steel control boxes. Support brackets shall be 18 ga.

FRONT COVER: The front cover shall be fabricated of minimum .032 pre-painted steel.

HEATING ELEMENT: The heating element wire shall consist of 80% nickel, 20% chromium, and shall be immersed in a heat-transfer liquid and sealed in a heater length copper tube.. Aluminum fins shall be so designed as to block sheath radiation to front and back of heater body and pressure bonded to steel sheath.

INSTALLATION: Heaters shall be designed to permit use of supply conductors with 60°C insulation.

GENERAL: Heater has a durable textured polyester powder coat finish or corrosion resistance. Linear thermal cut-out shall be factory installed to automatically shut off heater in event of overheating and reactivate heater when temperatures return to normal. The complete heater shall have a height of 8-3/8 inches and a depth of 2-15/16 inches. Heaters shall have cULus approval for mounting on any floor surface including carpeting.

* QMark reserves the right to change specifications without prior notice.

SELECTION CHART

CATALOG NUMBER	VOLTS	WATTS	BTU/HR	AMPS	APPROX. HTG. AREA	LENGTH (IN.)	SHIP WT. (LBS.)
HBB500	120	500	1706	4.2	60S.F.	28	10
HBB508	208	500	1706	2.4			
HBB504	240/208	500/375	1706/1280	2.1/1.8			
HBB750	120	750	2560	6.3	95 S.F.	34	12
HBB758	208	750	2560	3.6			
HBB754	240/208	750/563	2560/1921	3.1/2.7			
HBB1000	120	1000	3413	8.3	125 S.F.	46	15
HBB1008	208	1000	3413	4.8			
HBB1004	240/208	1000/750	3413/2560	4.2/3.6			
HBB1250	120	1250	4265	10.4	155 S.F.	58	19
HBB1258	208	1250	4265	6.0			
HBB1254	240/208	1250/938	4265/3200	5.2/4.5			
HBB1500	120	1500	5120	12.5	185 S.F.	70	22
HBB1508	208	1500	5120	7.2			
HBB1504	240/208	1500/1125	5120/3839	6.3/5.4			
HBB2008	208	2000	6826	9.6	250 S.F.	94	30
HBB2004	240/208	2000/1500	6826/5120	8.3/7.2			

CATALOG NO.	DESCRIPTION
HBBT1*	22Amp @ 120-240VAC 18Amp @ 277VAC Single Pole Thermostat Snap Action Type. Field Installed in Junction Box.
HBBT2*	22Amp @ 120-240VAC 18Amp @ 277VAC Double Pole Thermostat Snap Action Type. Field Installed in Junction Box.
HBBT1TP*	Same As Model HBBT1 Except Tamperproof.
HBBT2TP*	Same As Model HBBT2 Except Tamperproof.
HBBAC	Air Conditioner Outlet Section. 20Amp @ 208-240VAC.
HBBDR	Duplex Receptacle Section. 15Amp @ 120VAC.
HBBWS	8" Blank Wiring Section.
HBBDSDR120	2 Pole disconnect switch and 120V receptacle.

* Installs in junction box.

CATALOG NO.	DESCRIPTION
HBBLVRO	Low Voltage Relay Control Section 25A @ 120VAC.
HBBLVR8	Low Voltage Relay Control Section 25A @ 208VAC.
HBBLVR4	Low Voltage Relay Control Section 25A @ 240VAC.
HBBCDS2	Two Pole Disconnect Switch Section.

Control Section 8" in length.

CATALOG NO.	DESCRIPTION
CBDCIC	Inside Corner Section
CBDCOC	Outside Corner Section
CBDBS2	2 Ft. Blank Section
CBDBS3	3 Ft. Blank Section
CBDBS4	4 Ft. Blank Section
CBDBS5	5 Ft. Blank Section
CBDBS6	6 Ft. Blank Section
CBDBS8	8 Ft. Blank Section