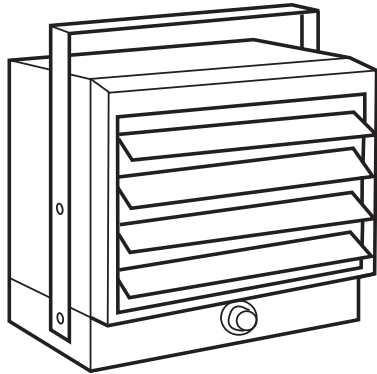




A Marley Engineered Products Brand

470 Beauty Spot Rd. E, Bennettsville, SC 29512

# MWUH SERIES HORIZONTAL/VERTICAL UNIT HEATER



CAPACITIES
1874 to 7500 Watts
208 or 240 V
1Ø only



MWUH SERIES - HORIZONTAL/VERTICAL UNIT HEATER

ITEM	QTY.	CAT. NO.	TAG	HEATER				AMPS	CONTROL CKT. MOTOR VOLTS	MOTOR VOLT	AIR FLOW		NO. OF STAGES	BUILT-IN CONTROLS
				KW	VOLTS	Ø	CFM				TEMP. RISE			

**ACCESSORIES  
AND  
CONTROLS**

ITEM	QTY.	CAT. NO.	TAG	DESCRIPTION

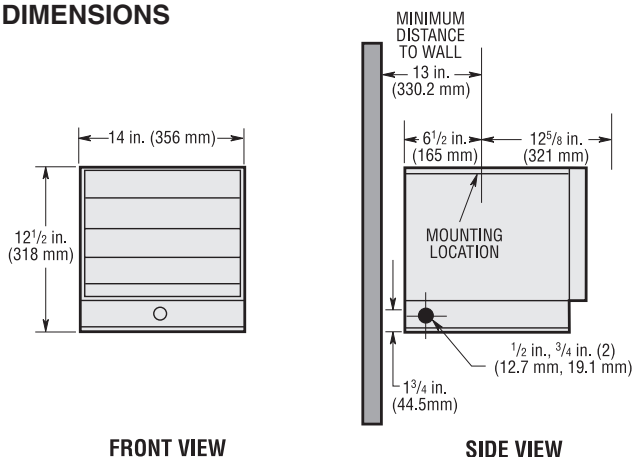
<b>SUBMITTED BY:</b>	<b>DATE</b>

<b>APPROVED BY:</b>	<b>DATE</b>



A Marley Engineered Products Brand  
470 Beauty Spot Rd. E, Bennettsville, SC 29512


### DIMENSIONS



FRONT VIEW

SIDE VIEW

### CONTROLS AND ACCESSORIES

	CATALOG NO.	DESCRIPTION
	DS-30	3-pole power disconnect switch for field installation. Complies with "positive off" requirements.

### ARCHITECT'S AND ENGINEER SPECIFICATIONS\*

The electric unit heater(s) shall be as manufactured by QMark, A Marley Engineered Products Brand, Bennettsville, SC. Heater(s) shall be fully UL approved, designed for either wall or ceiling mounting without modification and operate at either 208 or 240 VAC and have field-adjustable capacity from 1.875 to 5 KW (Model MWUH5004) and 2.812 to 7.5 KW (Model MWUH7504).

**HOUSING:** The cabinet shall be of heavy gauge steel, welded and phosphatized; then completely painted desert tan by a baked enamel painting process. Front and back panels shall be removable to gain full access to element, motor and fan area. Fan guard shall be painted to match heater for appearance and durability. Heater(s) shall be furnished with attached ceiling mounting bracket and shall be capability of full horizontal and vertical position. Heater(s) shall be so designed as to permit mounting within two inches of the ceiling in full horizontal mode.

**CONTROL BOX:** The control box, housing all heater wiring and controls, shall be located at the bottom of the heater and equipped with a swing down hinged cover to permit full access for installation and servicing without dismounting the heater.

**WIRING:** All heater and control wiring connections shall terminate in the control box. Proper wiring diagram shall be attached to the inside of the control box cover. 60° C wire may be used to bring entry wiring into compartment.

**FAN MOTOR:** Fan motor shall be totally enclosed, impedance protected and of unit bearing design suitable for horizontal or vertical operation with high starting and running torques. Fan motor and controls shall operate directly from the line voltage.

**HEATING ELEMENT:** The heating element shall be warranted for five years and shall be of non-glowing design consisting of a special resistance wire enclosed in the steel sheath to which steel plate fins are brazed. The heating element shall cover the entire air discharge area for uniform heating.

**THERMAL CUTOUT:** Thermal cutout shall be built into the system to automatically shut off heater in event of overheating and reactivate the heater when temperatures return to normal.

\* QMark reserves the right to change specifications without prior notice.

CATALOG NUMBER	VOLTS	WATTS	BTU PER HR.	PHASE	FAN MOTOR WATTS	CONTROL CIRCUIT & FAN MOTOR VOLTS	FAN MOTOR RPM	AIR VOLUME. CFM	THROW	MIN. MFG. HT.	HEATER AMPS	MIN. CKT. AMPS	WT. (LBS.)
MWUH5004	208	1874	6396	1	6	208	1350	270	16'	6'	9.0	11.3	24
		2500	8553								12.0	15.0	
		3123	10659								15.0	18.5	
		3750	12799								18.0	22.5	
	240	2500	8533								10.4	13.0	
		3332	11365								13.9	17.4	
MWUH7504	208	2812	9598	1	6	240	1400	270	18'	8'	13.5	16.9	27
		3750	12799								18.0	22.5	
		4685	15990								22.5	28.1	
		5625	19198								27.1	33.9	
	240	3750	12799								15.6	19.5	
		5000	17065								20.8	26.0	
MWUH5008	208	2500	8533	1	6	208	1400	208	16'	8'	12.0	-	26
		3332	11365								16.0	15.0	
		4165	14215								20.0	20.0	
		5000	17065								24.0	26.0	